

# ASSEMBLY INSTRUCTION

---

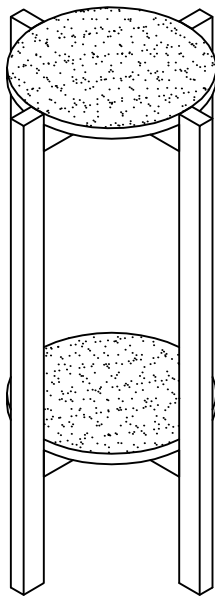
## PLEASE READ BEFORE ASSEMBLING!

Tip #1: Make sure you've taken all the pieces and hardware out of its packaging before discarding the box.

Tip #2: Using page 2 and/or page 3 of instruction manual make sure all pieces and hardware are accounted for.

Tip #3: Read manual before assembling, it helps!

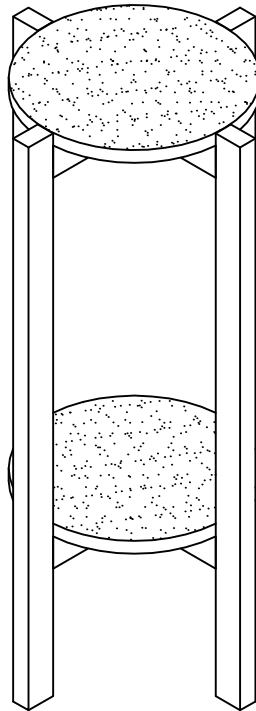
ITEM#: 151350 161477



# ASSEMBLY INSTRUCTION

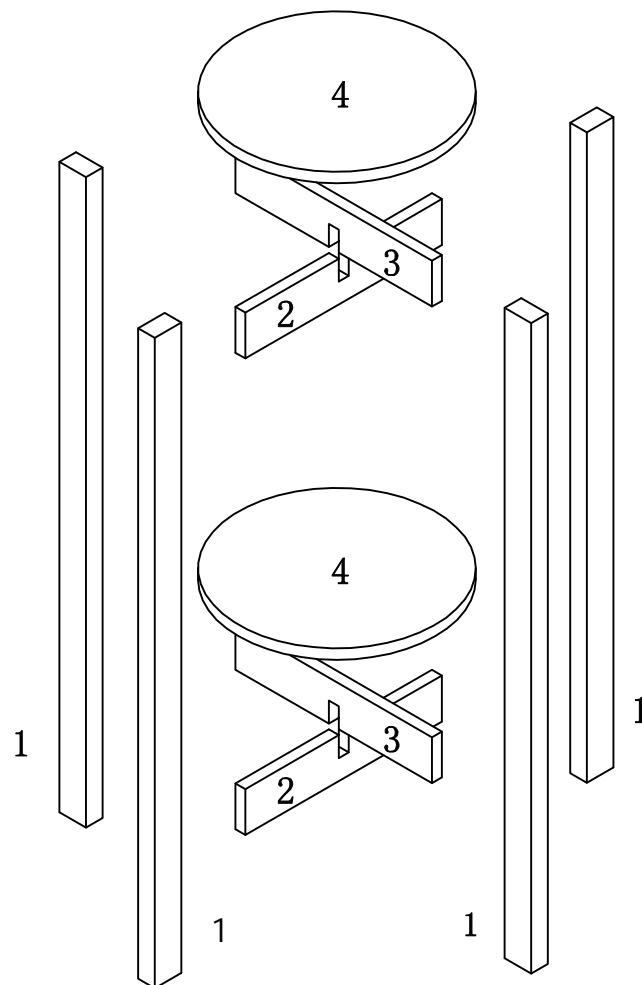
---

ITEM#: 151350 161477



# PARTS IDENTIFICATION

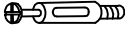

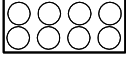
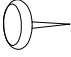


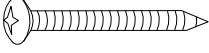
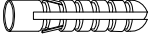

ITEM#: 151350 161477



- |     |      |
|-----|------|
| (1) | 4pcs |
| (2) | 2pcs |
| (3) | 2pcs |
| (4) | 2pcs |

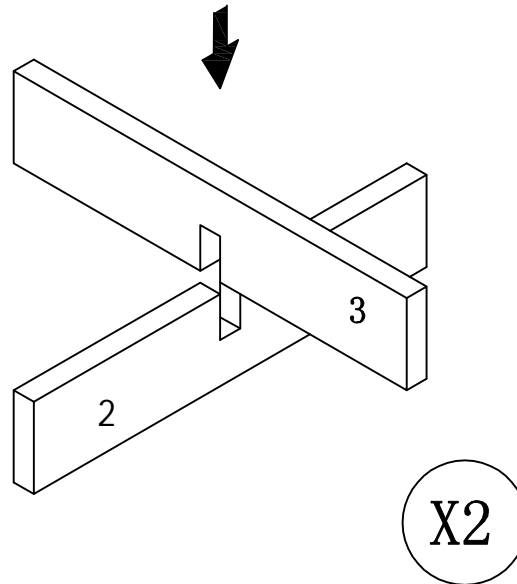
# HARDWARE IDENTIFICATION

ITEM#: 151350 161477

A		L29	24PCS
B		ET15	24PCS
C		ø20	24PCS
D		ø16	4PCS
E		197×5×1	1PC
F		ø4×25	1PC
G		ø5×40	1PC
H		ø8×40	1PC
I		12×12×1	2PCS

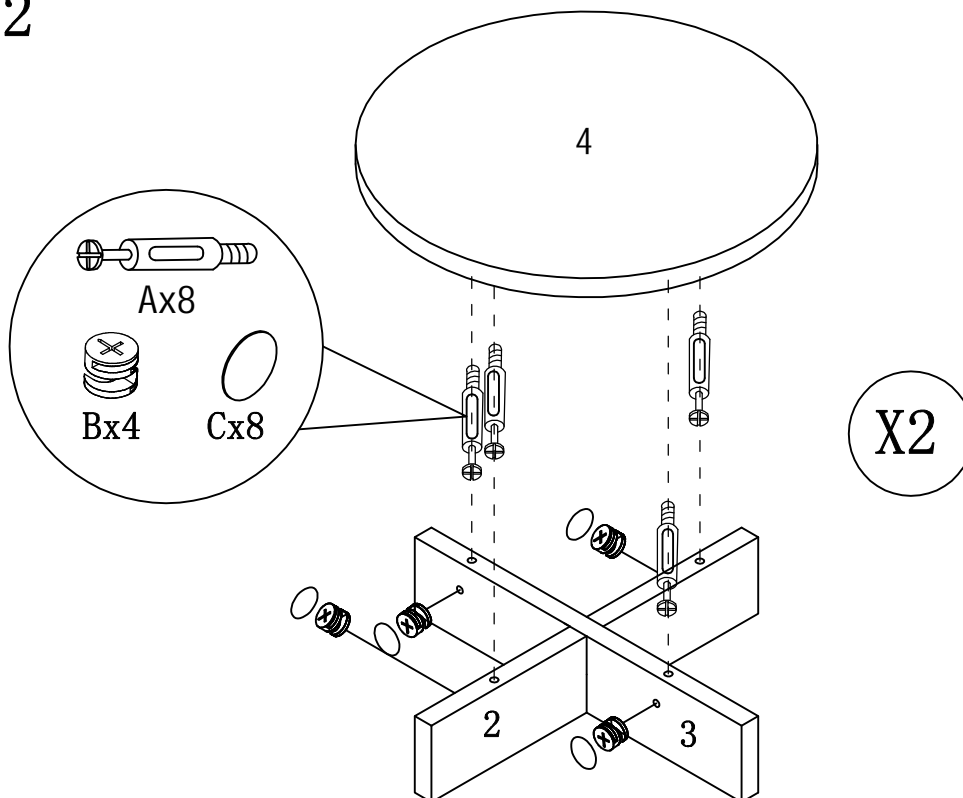
# ASSEMBLY INSTRUCTION

ITEM#: 151350 161477



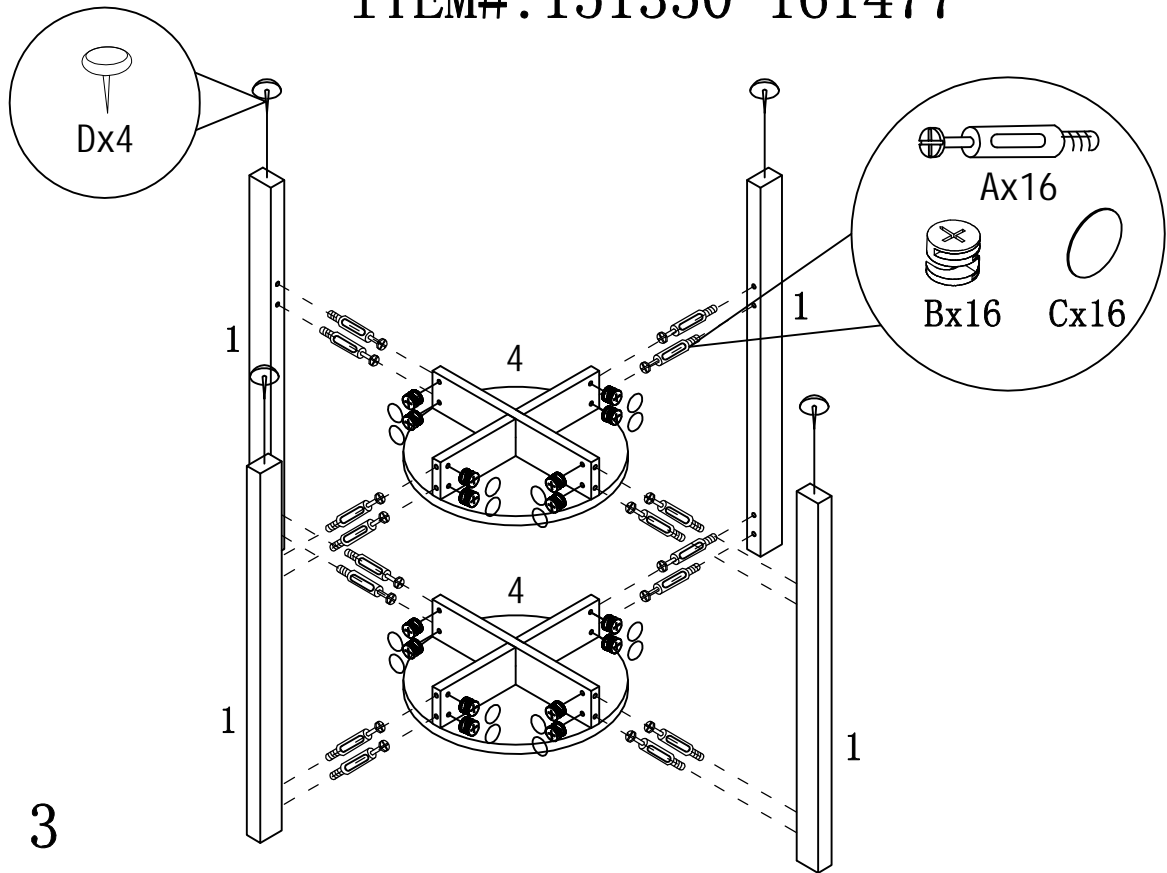
STEP 1

STEP 2

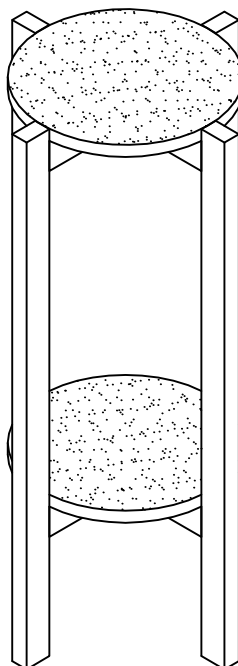


# ASSEMBLY INSTRUCTION

ITEM#: 151350 161477

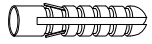


STEP 4

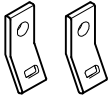


# ANTI-TIPPING STRAP INSTRUCTION

## HARDWARE (INCLUDED) :



DRYWALL ANCHOR  $\phi 8 \times 40$  X 1PC



METAL BRACKETS  $12 \times 12 \times 1$  X 2PCS



DRYWALL SCREW  $\phi 5 \times 40$  X 1PC

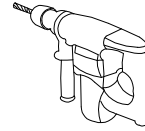


STRAP  $197 \times 5 \times 1$  X 1PC



FLATHEAD SCREW  $\phi 4 \times 25$  X 1PC

## TOOLS NEEDED ( NOT INCLUDED) :



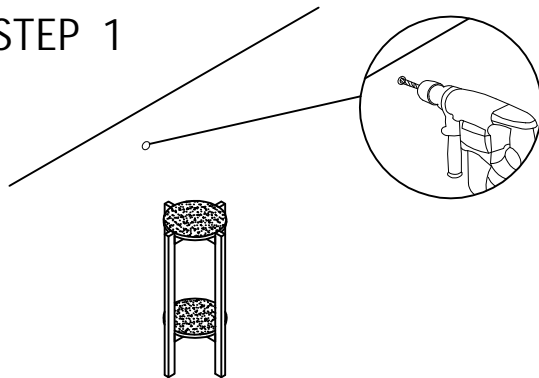
DRILL & DRILL BIT



LIGHT HAMMER

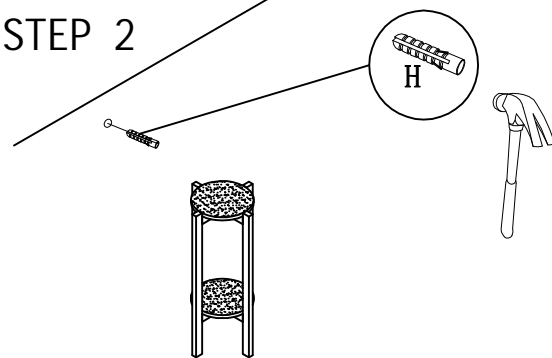
Note: Hardware included only compatible with standard drywalls.

### STEP 1



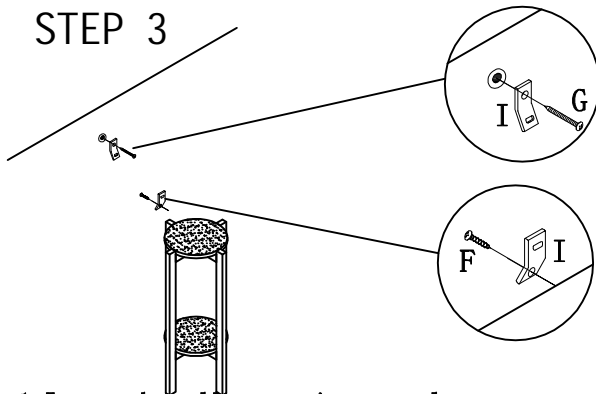
1. Find spot on wall 1" below top of item.
2. Using a drill bit slightly thinner than anchor, drill hole into drywall.

### STEP 2



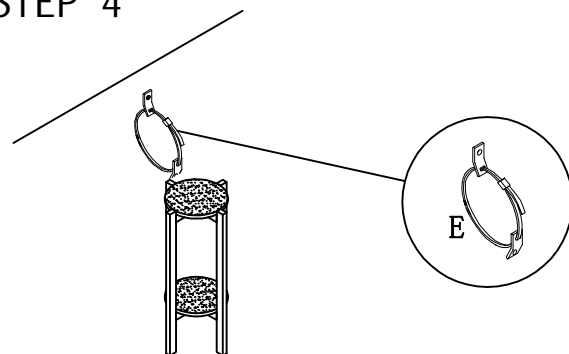
1. Use a light hammer to tap anchor into hole.
2. Anchor should fit snugly. If hole is too small, drill again to increase hole size. Do not force anchor into wall.

### STEP 3



1. Insert drywall screw into metal bracket and into drywall anchor.
2. Insert flathead screw into second metal bracket and into back of item along top edge.

### STEP 4



1. Insert strap thru bracket attached to wall, then thru bracket on item, and into head of strap.
  2. pull lightly til strap stops.
- Assembly is complete.