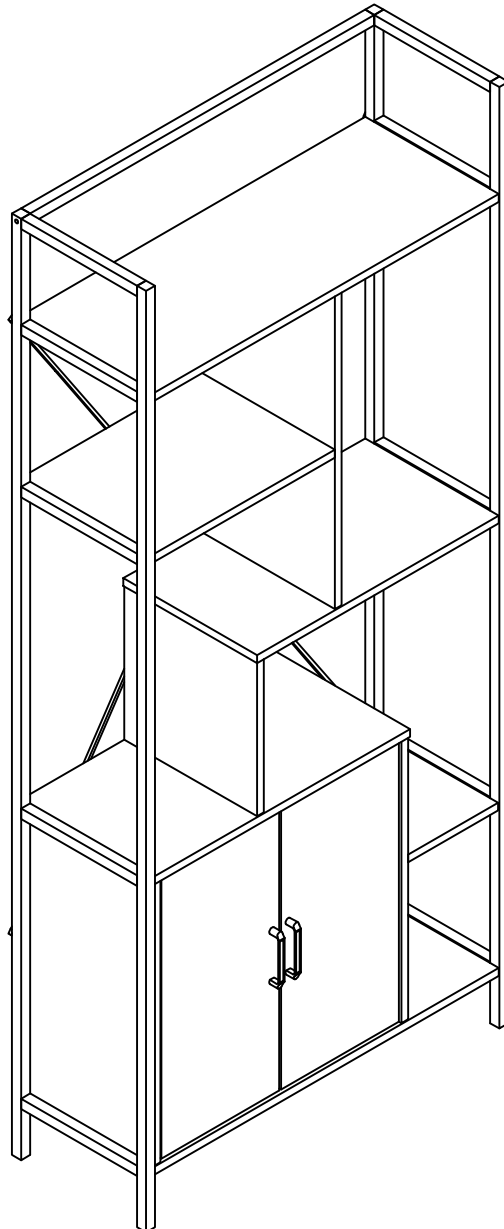


# ASSEMBLY INSTRUCTION

---

ITEM#:223084 223085 223086



# ASSEMBLY INSTRUCTION

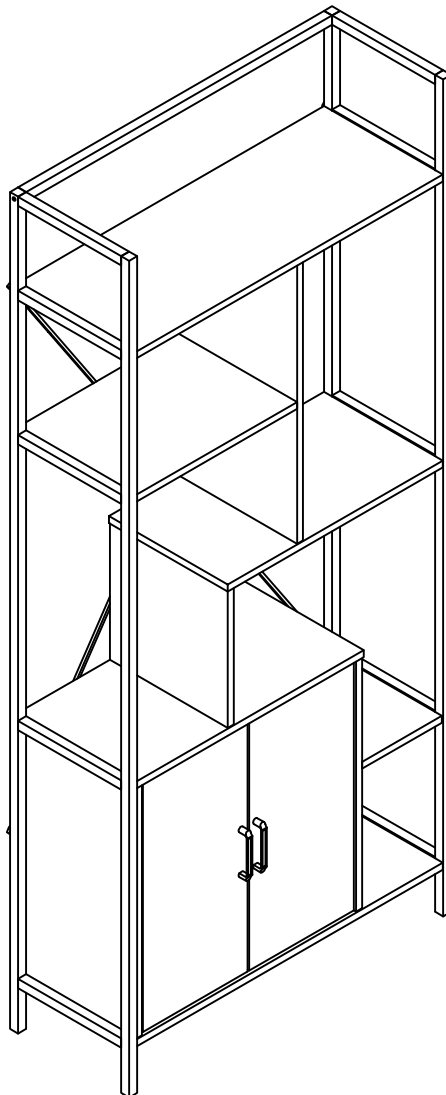
---

## PLEASE READ BEFORE ASSEMBLING!

Tip #1: Make sure you've taken all the pieces and hardware out of its packaging before discarding the box.

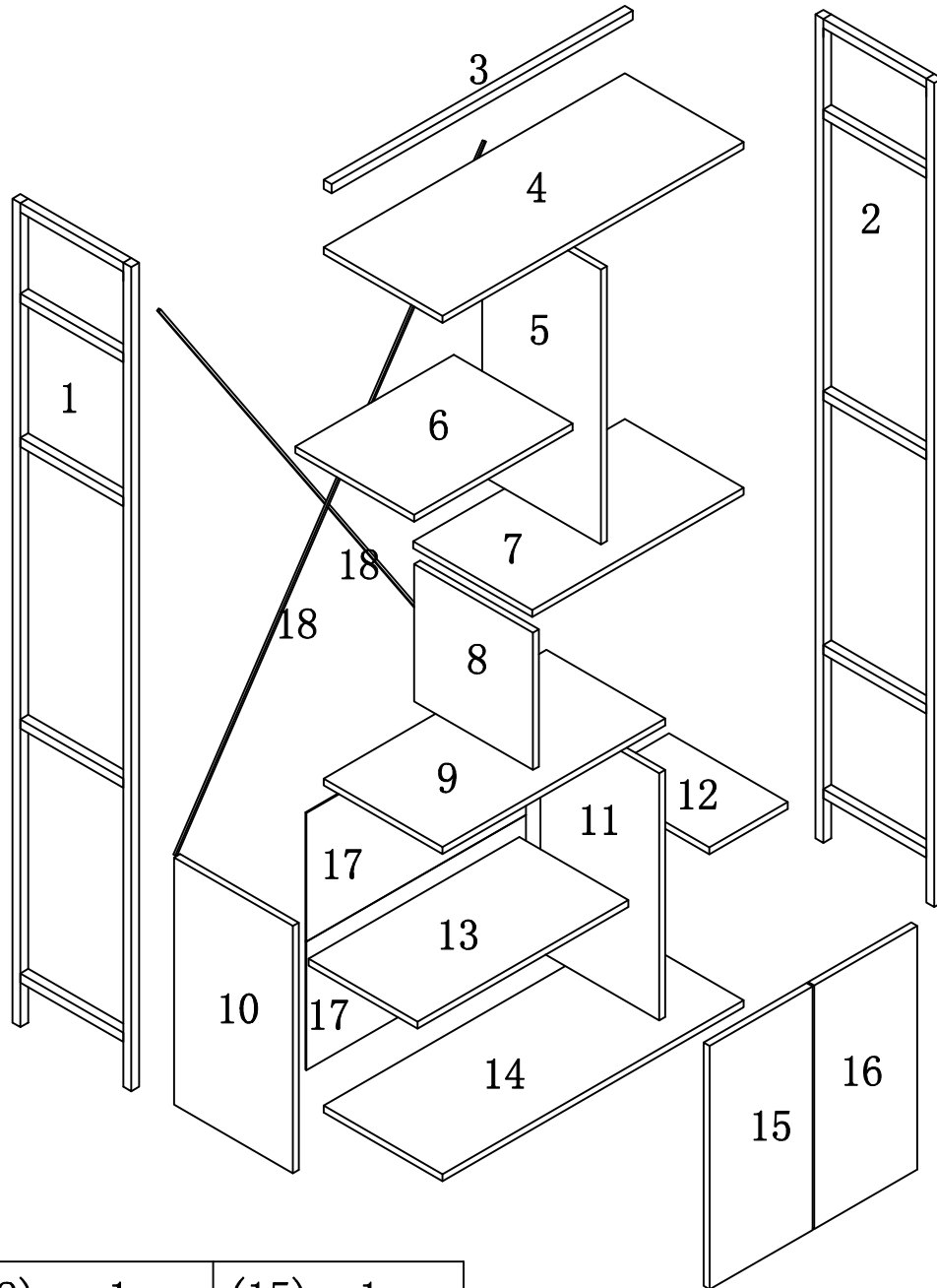
Tip #2: Using page 2 and/or page 3 of instruction manual make sure all pieces and hardware are accounted for.

**ITEM#:223084 223085 223086**



# PARTS IDENTIFICATION

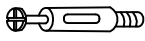




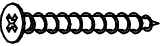


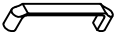

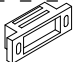

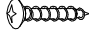

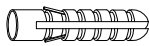


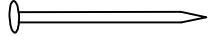

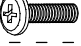



ITEM#:223084 223085 223086



(1)	1pc	(8)	1pc	(15)	1pc
(2)	1pc	(9)	1pc	(16)	1pc
(3)	1pc	(10)	1pc	(17)	2pcs
(4)	1pc	(11)	1pc	(18)	2pcs
(5)	1pc	(12)	1pc		
(6)	1pc	(13)	1pc		
(7)	1pc	(14)	1pc		

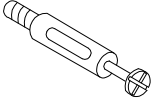

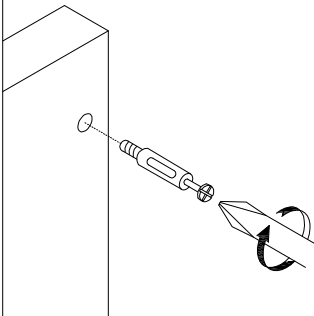
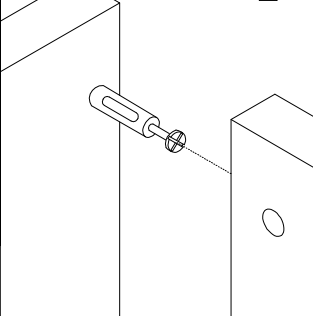
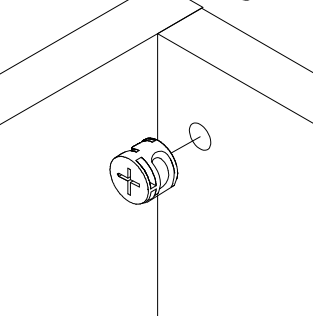
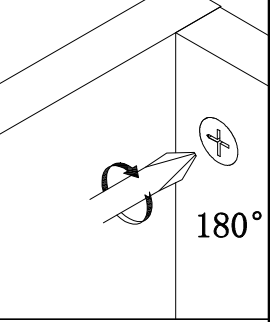
# HARDWARE IDENTIFICATION

ITEM#:223084 223085 223086

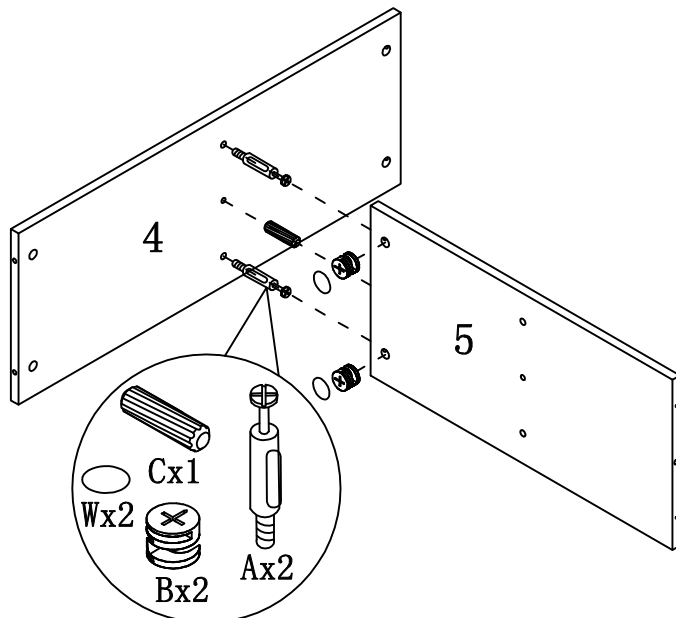
A		L29	28PCS
B		Φ 15	28PCS
C		Φ 8x25	10PCS
D		Φ 6x35	2PCS
E		Φ 3x14	4PCS
F		Φ 4x40	8PCS
G			2SET
H		ø4×20	4PCS
I		96#	2PCS
J			2PCS
K			2PCS
L		197×5×1	1PC
M		ø4×25	1PC
N		ø5×40	1PC
O		ø8×40	1PC
P		12×12×1	2PCS
Q		ø5×16	4PCS
R			14PCS
S		Φ 3x16	4PCS
T		Φ 4x12	1PC
U		M4	1PC
V		Φ 6x12	4PCS
W		ø22	8PCS

# HARDWARE IDENTIFICATION

ITEM#:223084 223085 223086

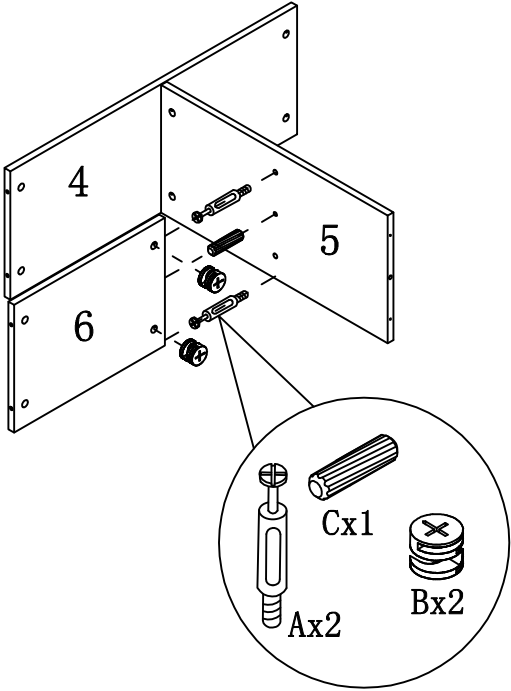
HOW TO	1	2	3	4
 Cam Bolt  Cam Lock	 1. Screw Cam Bolt into panel.	 2. Insert Cam Bolt into bolt hole of joining panel.	 3. Insert Cam Lock. arrow facing bolt.	 4. Gently turn Cam Lock clockwise to lock position.

## STEP 1



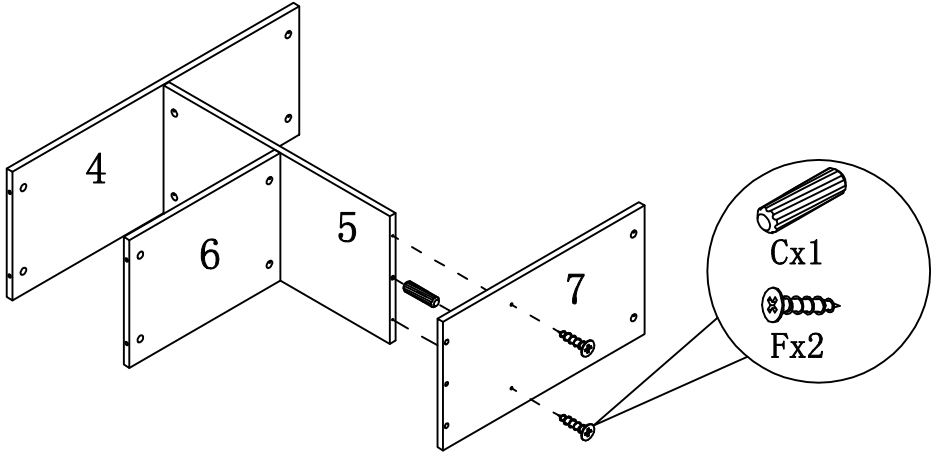
# HARDWARE IDENTIFICATION

ITEM#:223084 223085 223086



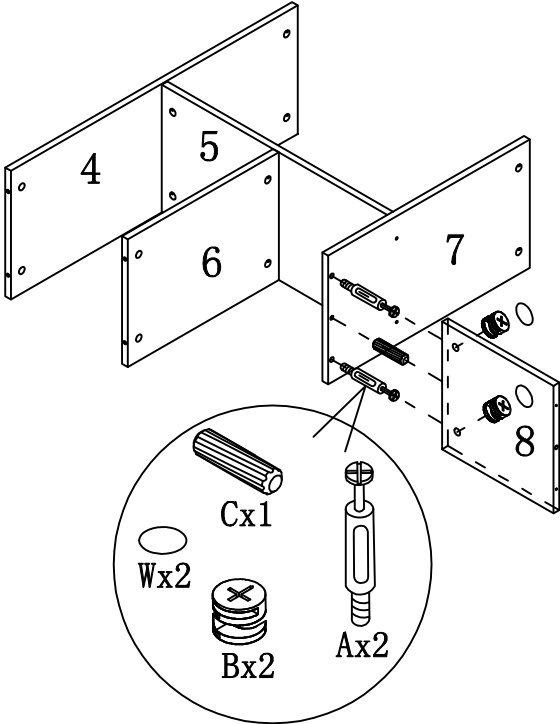
STEP2

STEP3



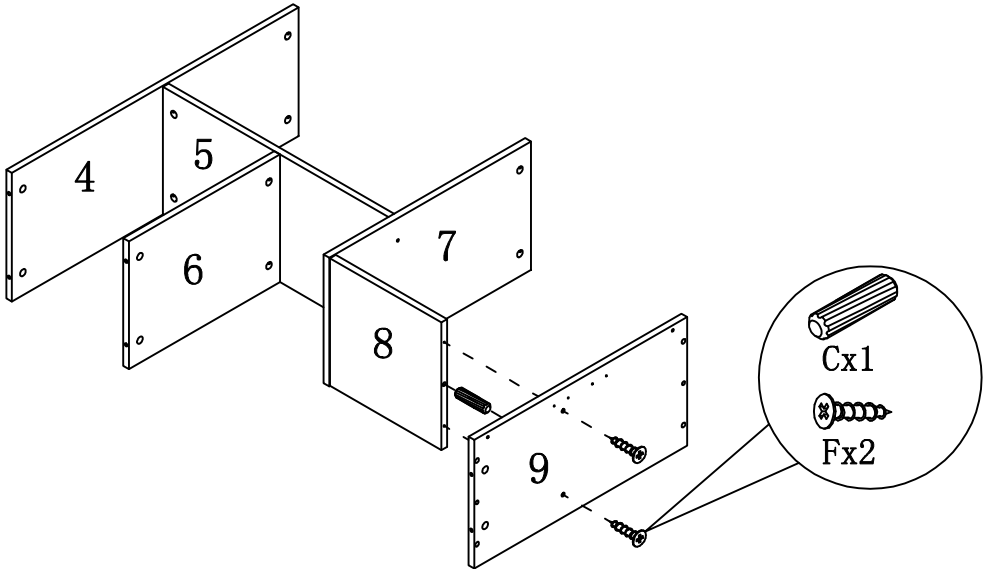
# HARDWARE IDENTIFICATION

ITEM#:223084 223085 223086



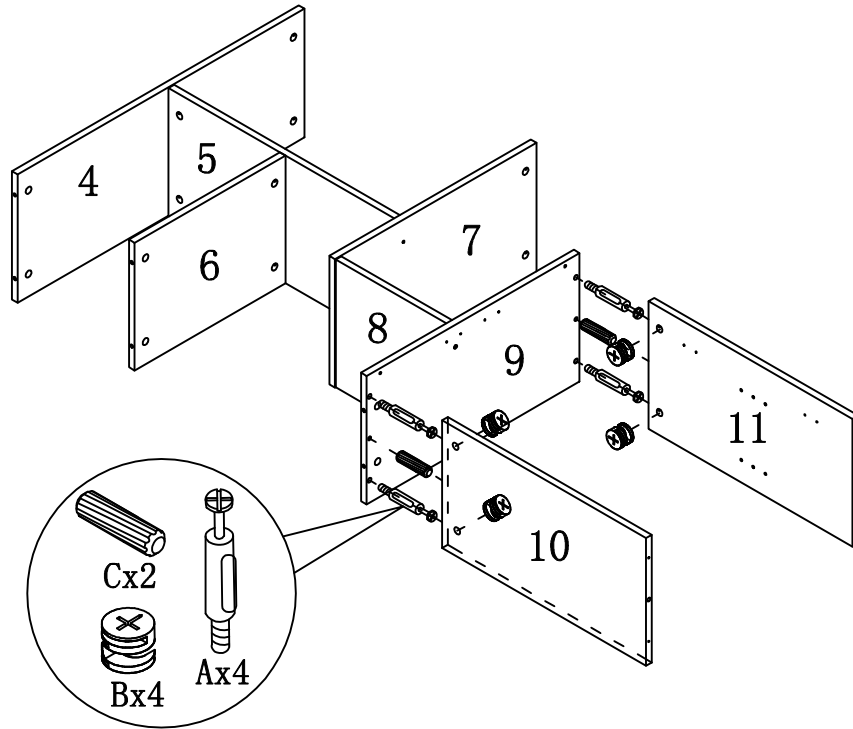
STEP4

STEP5



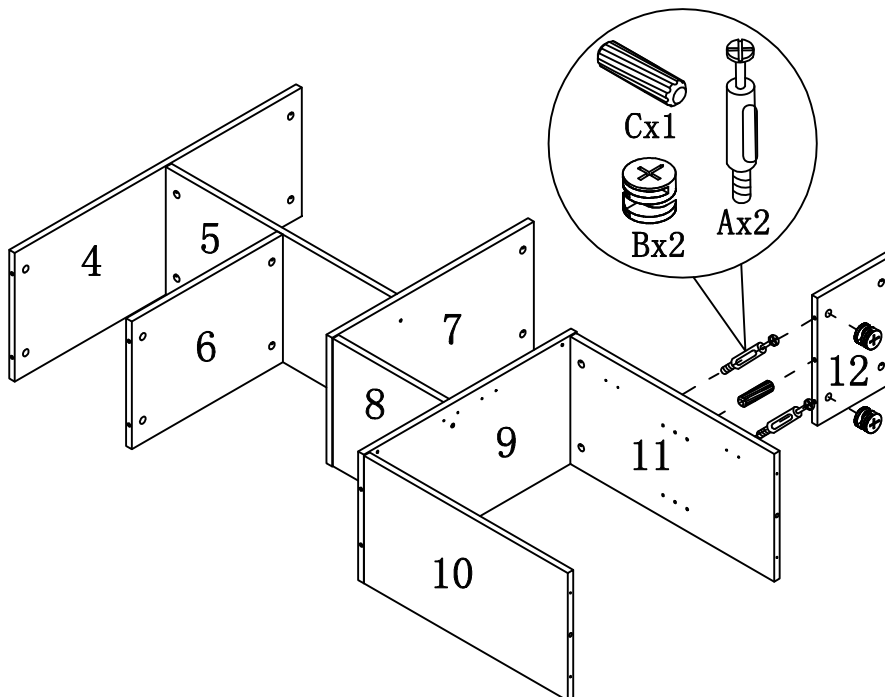
# HARDWARE IDENTIFICATION

ITEM#:223084 223085 223086



STEP6

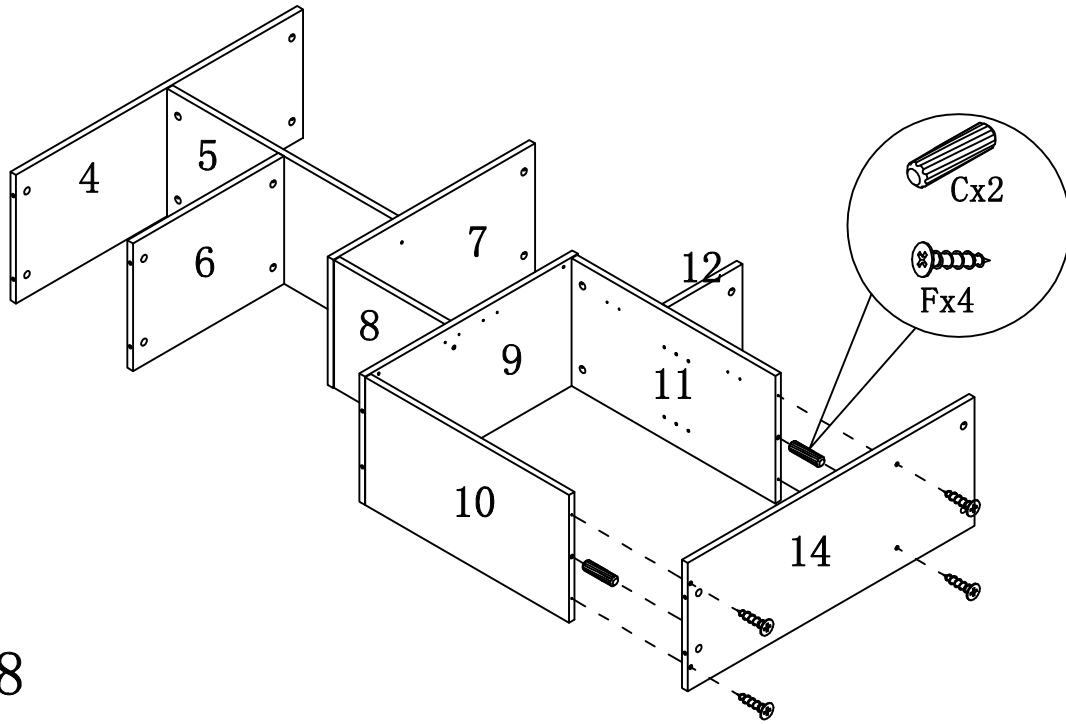
STEP7





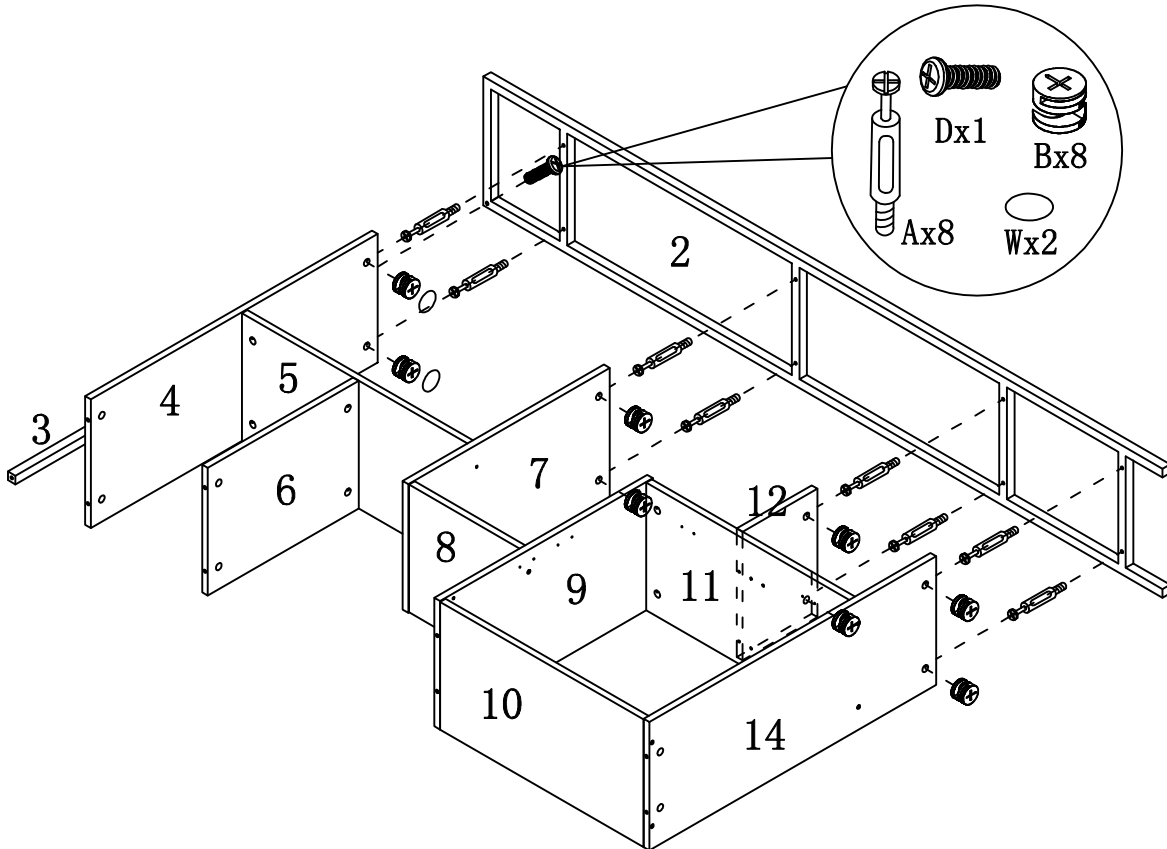
# HARDWARE IDENTIFICATION

ITEM#:223084 223085 223086



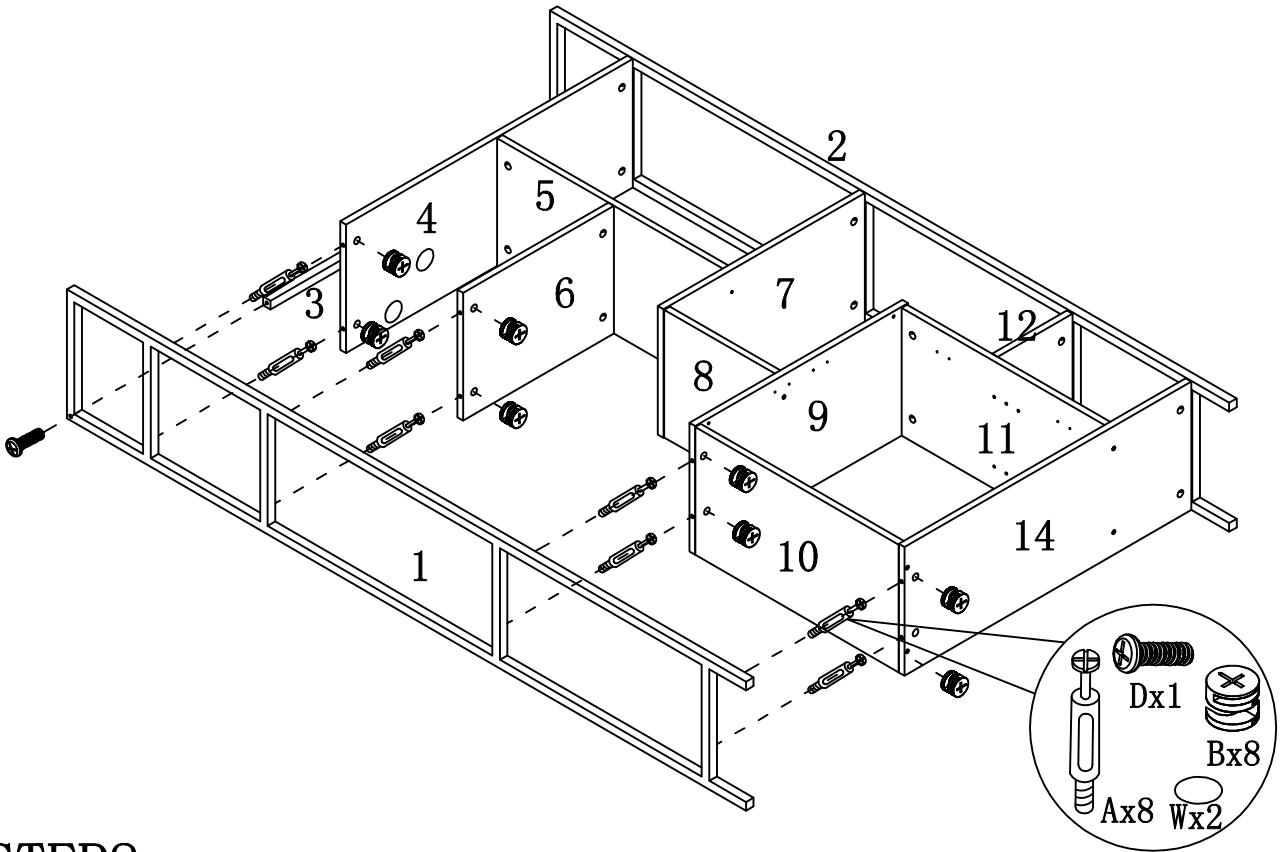
STEP8

STEP9



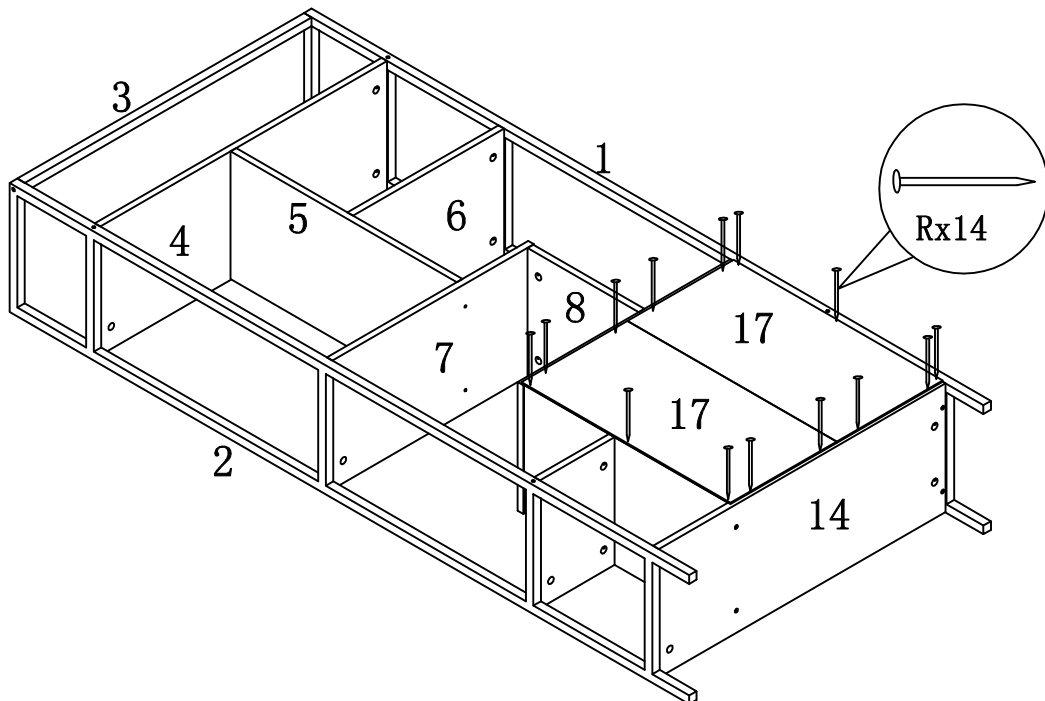
# HARDWARE IDENTIFICATION

ITEM#:223084 223085 223086



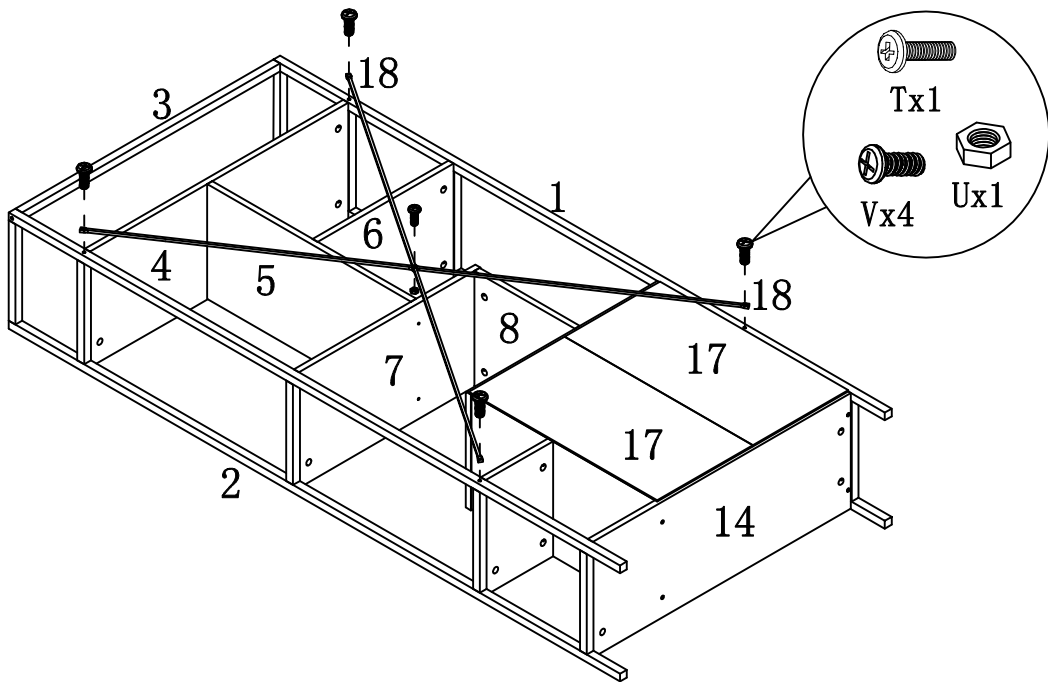
STEP8

STEP9



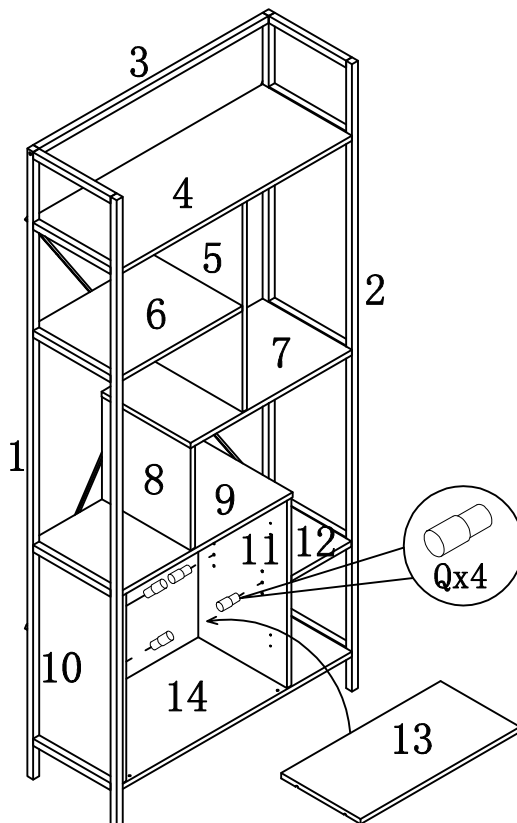
# HARDWARE IDENTIFICATION

ITEM#:223084 223085 223086



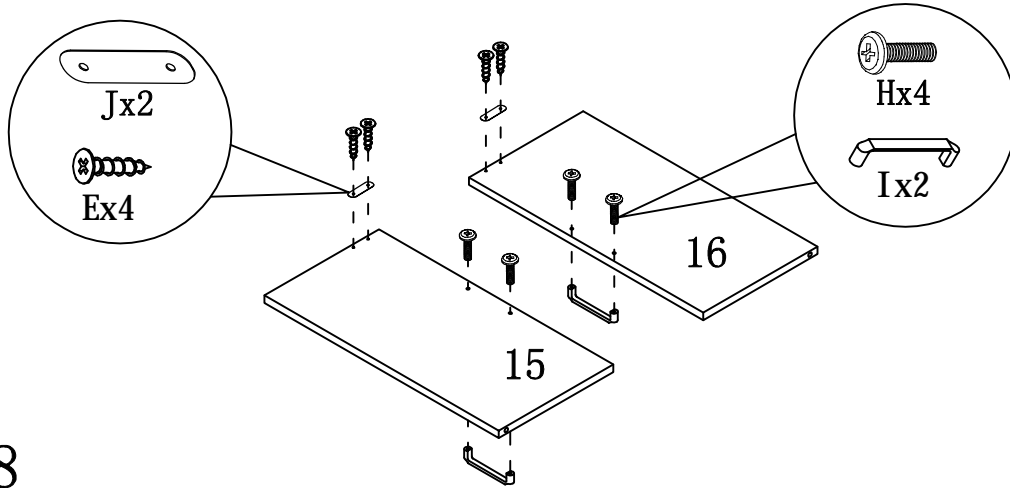
STEP8

STEP9



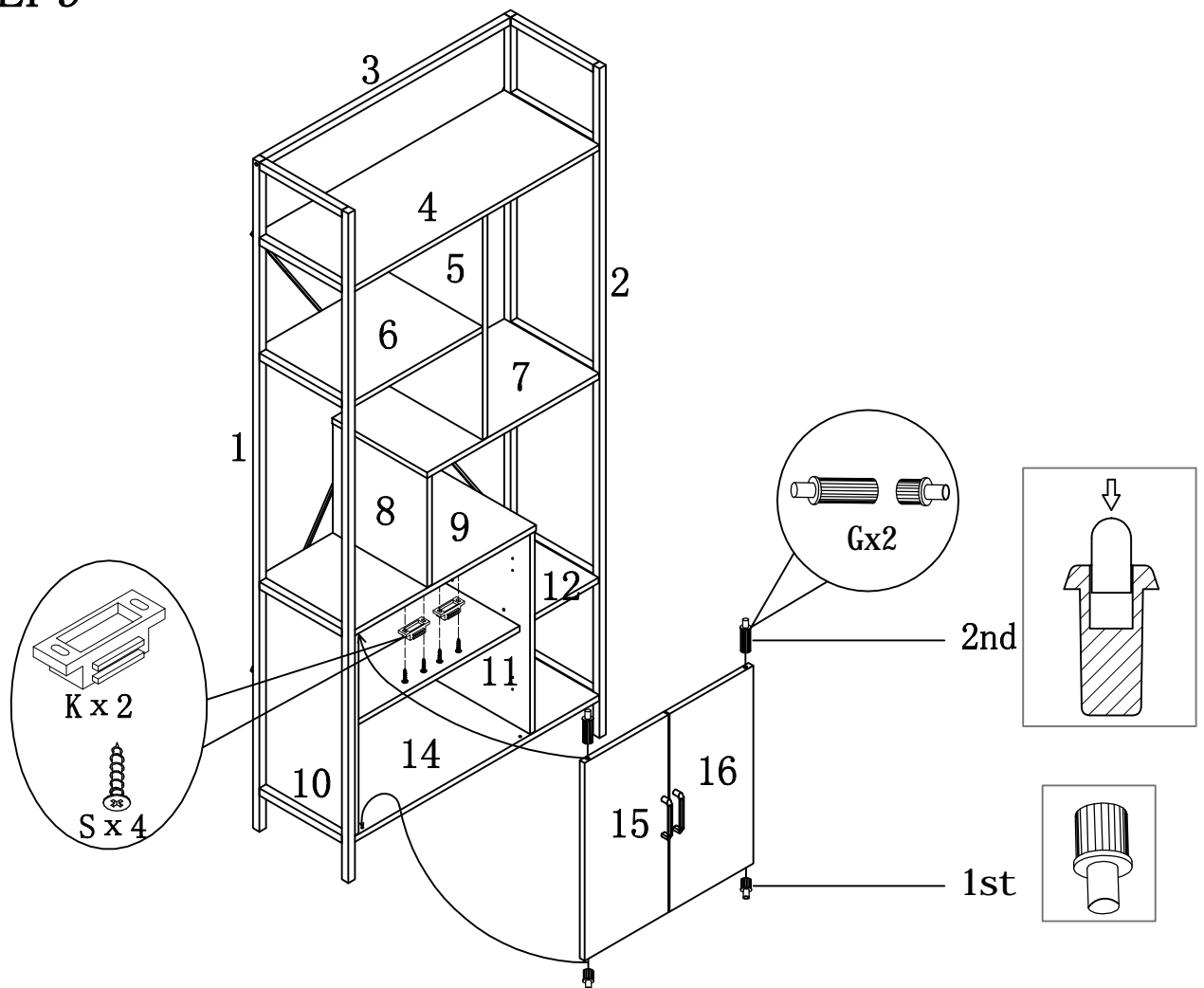
# HARDWARE IDENTIFICATION

ITEM#:223084 223085 223086



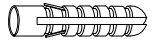
STEP8

STEP9

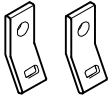


# ANTI-TIPPING STRAP INSTRUCTION

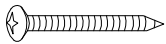
## HARDWARE (INCLUDED) :



DRYWALL ANCHOR  $\phi 8 \times 40$  X 1PC



METAL BRACKETS  $12 \times 12 \times 1$  X 2PCS



DRYWALL SCREW  $\phi 5 \times 40$  X 1PC

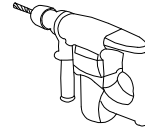


STRAP  $197 \times 5 \times 1$  X 1PC



FLATHEAD SCREW  $\phi 4 \times 25$  X 1PC

## TOOLS NEEDED ( NOT INCLUDED) :



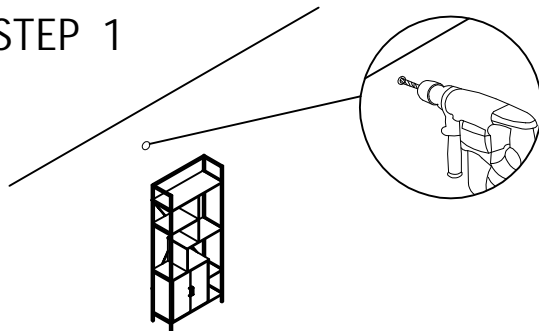
DRILL & DRILL BIT



LIGHT HAMMER

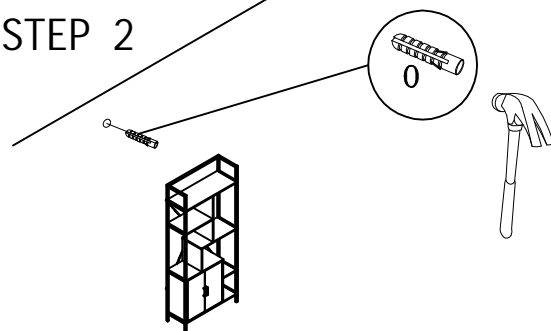
Note: Hardware included only compatible with standard drywalls.

### STEP 1



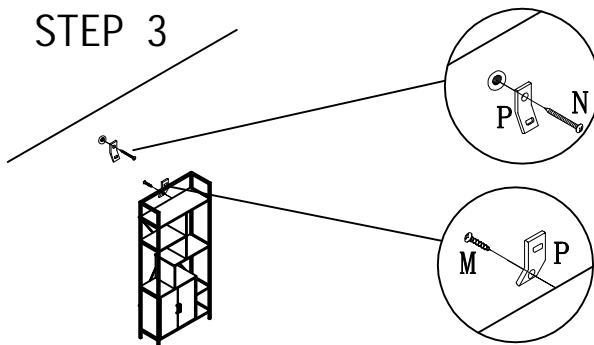
1. Find spot on wall 1" below top of item.
2. Using a drill bit slightly thinner than anchor, drill hole into drywall.

### STEP 2



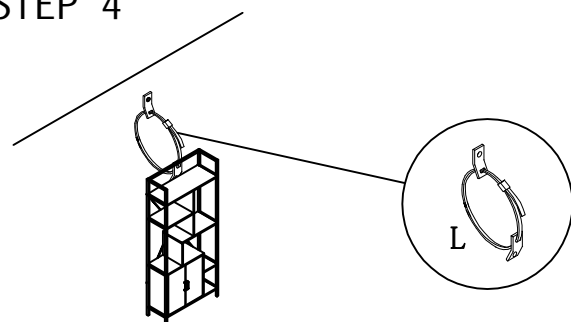
1. Use a light hammer to tap anchor into hole.
2. Anchor should fit snugly. If hole is too small, drill again to increase hole size. Do not force anchor into wall.

### STEP 3



1. Insert drywall screw into metal bracket and into drywall anchor.
2. Insert flathead screw into second metal bracket and into back of item, along top edge.

### STEP 4



1. Insert strap thru bracket attached to wall, then thru bracket on item, and into head of strap.
  2. pull lightly til strap stops.
- Assembly is complete.