

ASSEMBLY INSTRUCTION

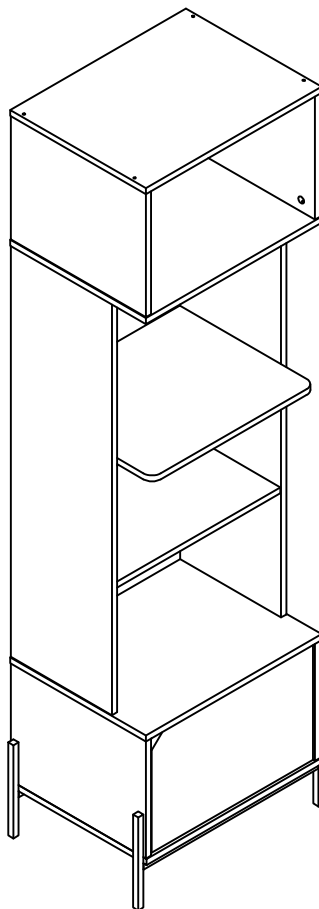
PLEASE READ BEFORE ASSEMBLING!

Tip #1: Make sure you've taken all the pieces and hardware out of its packaging before discarding the box.

Tip #2: Using page 2 and/or page 3 of instruction manual make sure all pieces and hardware are accounted for.

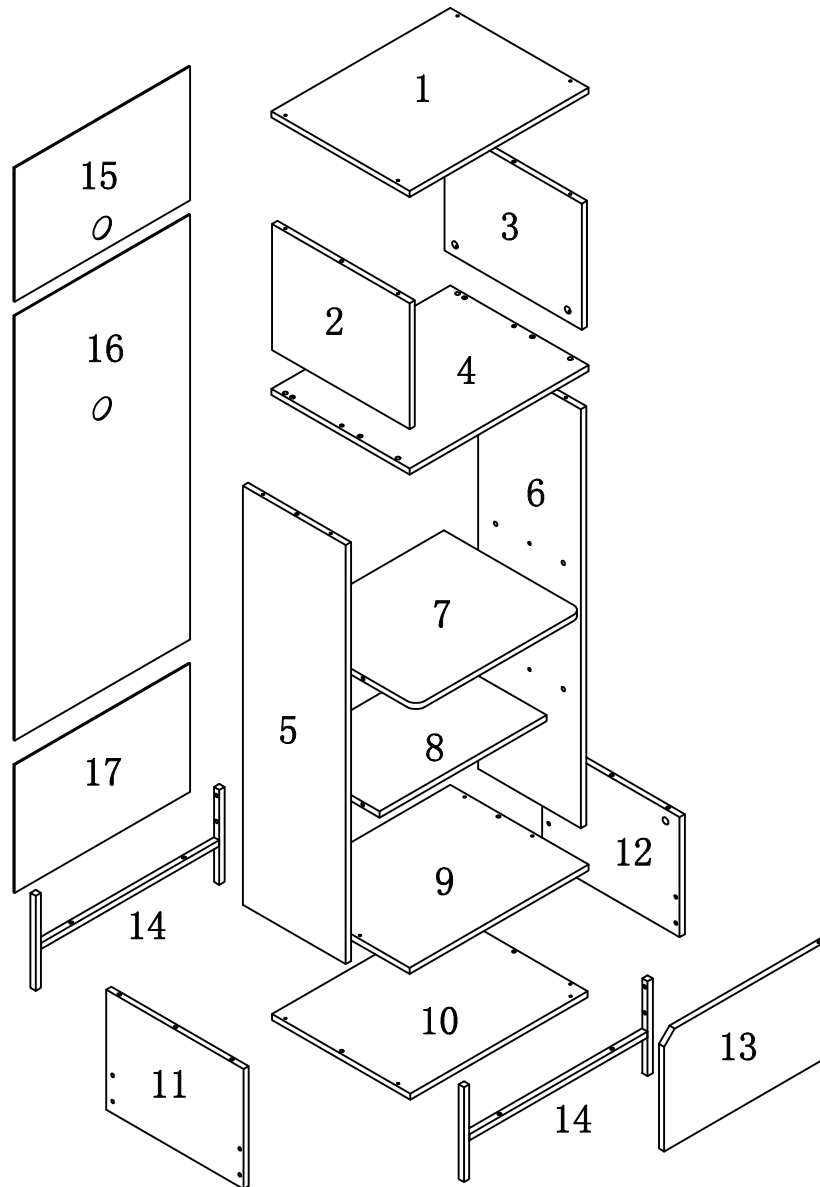
Tip #3: Read manual before assembling, it helps!

ITEM#: 223107



PARTS IDENTIFICATION

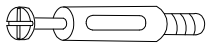


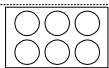
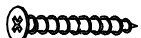




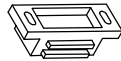



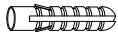

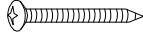
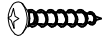
ITEM#: 223107



(1)	1pc	(7)	1pc	(13)	1pc
(2)	1pc	(8)	1pc	(14)	2pcs
(3)	1pc	(9)	1pc	(15)	1pc
(4)	1pc	(10)	1pc	(16)	1pc
(5)	1pc	(11)	1pc	(17)	1pc
(6)	1pc	(12)	1pc		

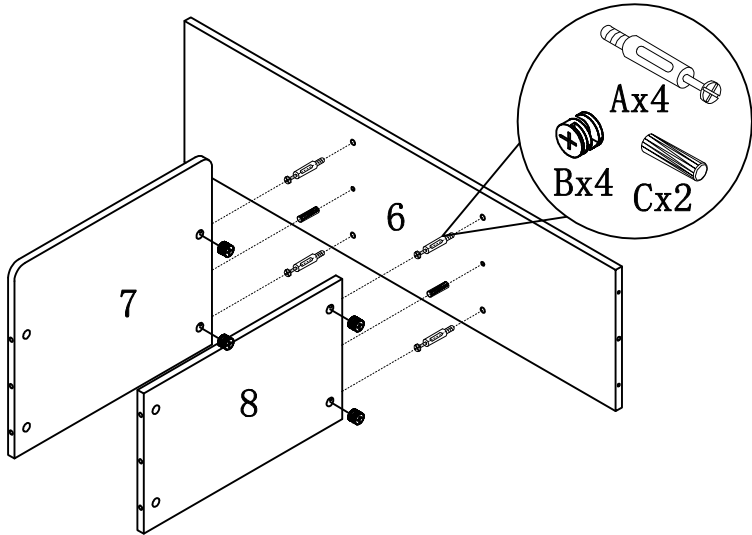
HARDWARE IDENTIFICATION

ITEM#: 223107

A		L29	16pcs
B		Ø15	16pcs
C		Ø8x25	16pcs
D		Ø22	16pcs
E		Ø4x40	16pcs
F		Ø3x12	2pcs
G		M6x25	12pcs
H			1pc
I			50pcs
J			1pc
K		Ø3x16	2pcs
L			1pc
M		197x5x1	1pc
N		Φ8x40	1pc
O		12x12x1	2pcs
P		Φ5x40	1pc
Q		Φ4x25	1pc

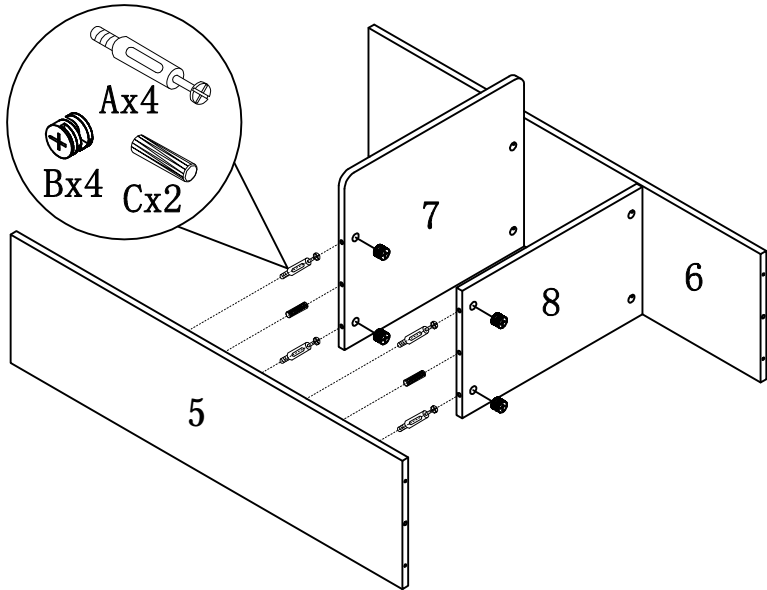
ASSEMBLY INSTRUCTION

ITEM#: 223107



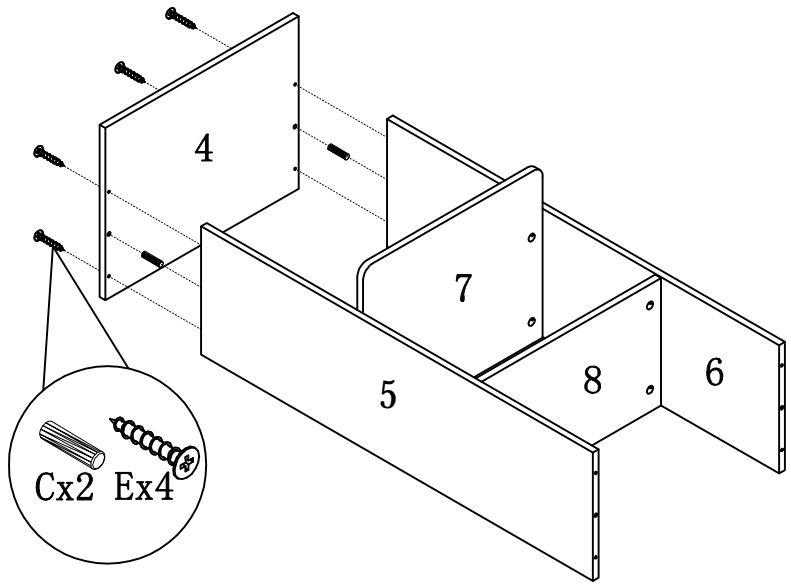
STEP 1

STEP 2



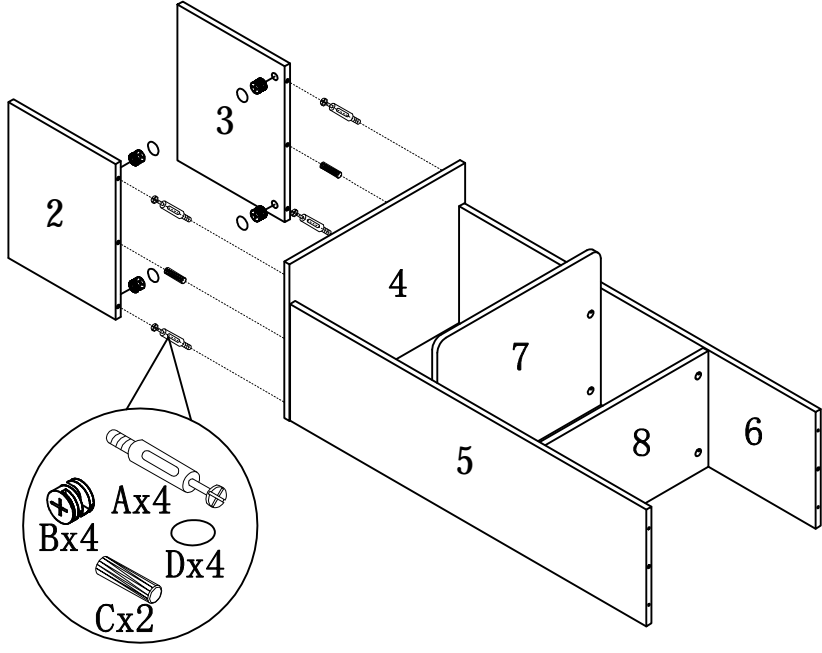
ASSEMBLY INSTRUCTION

ITEM#: 223107



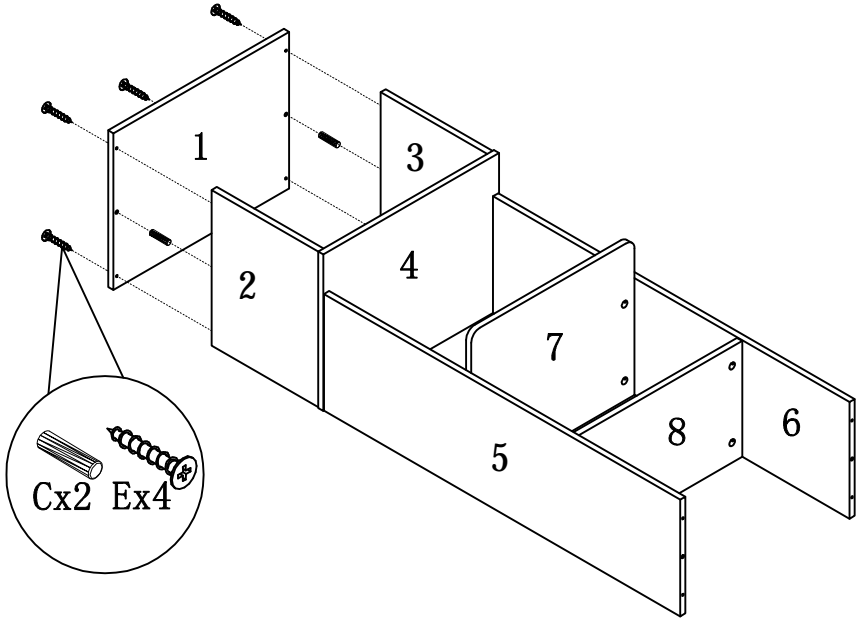
STEP3

STEP4



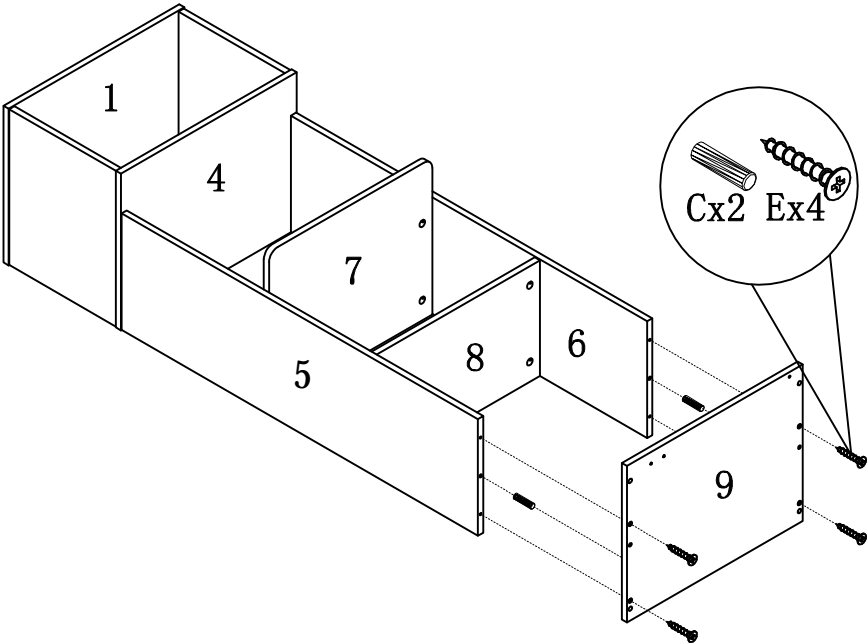
ASSEMBLY INSTRUCTION

ITEM#: 223107



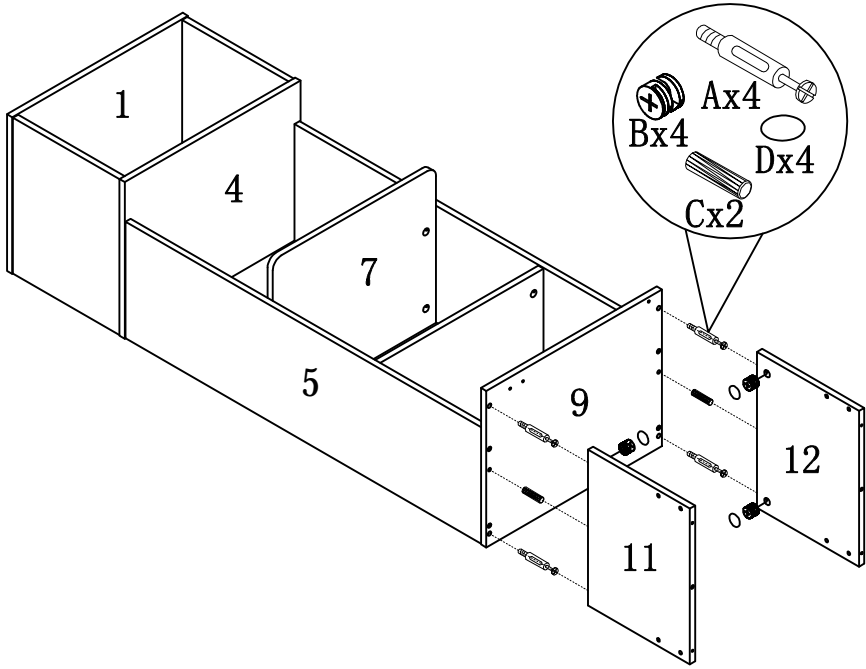
STEP5

STEP6



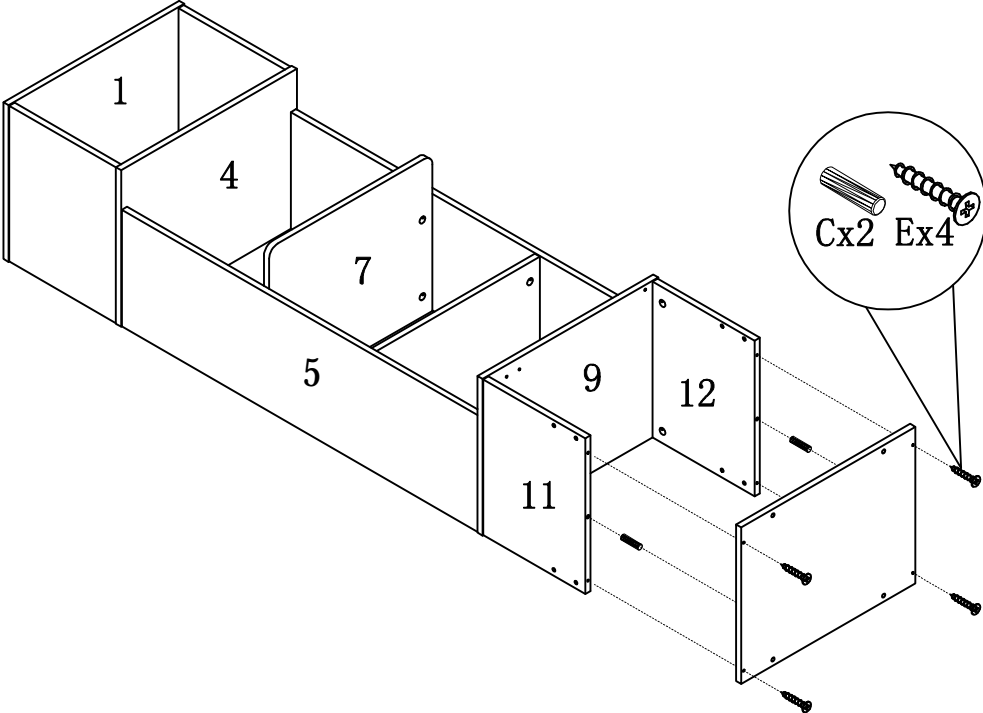
ASSEMBLY INSTRUCTION

ITEM#: 223107



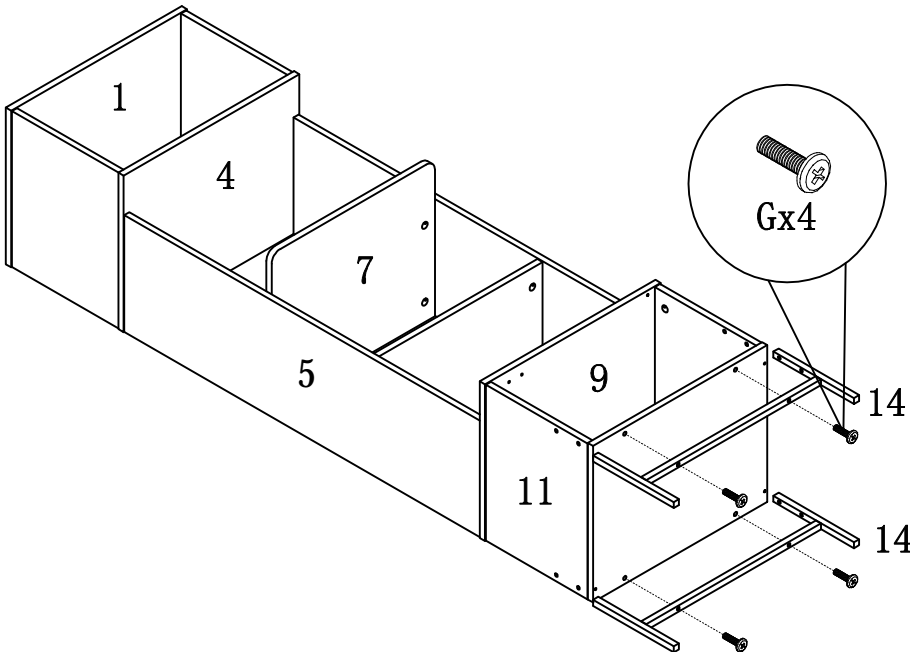
STEP7

STEP8



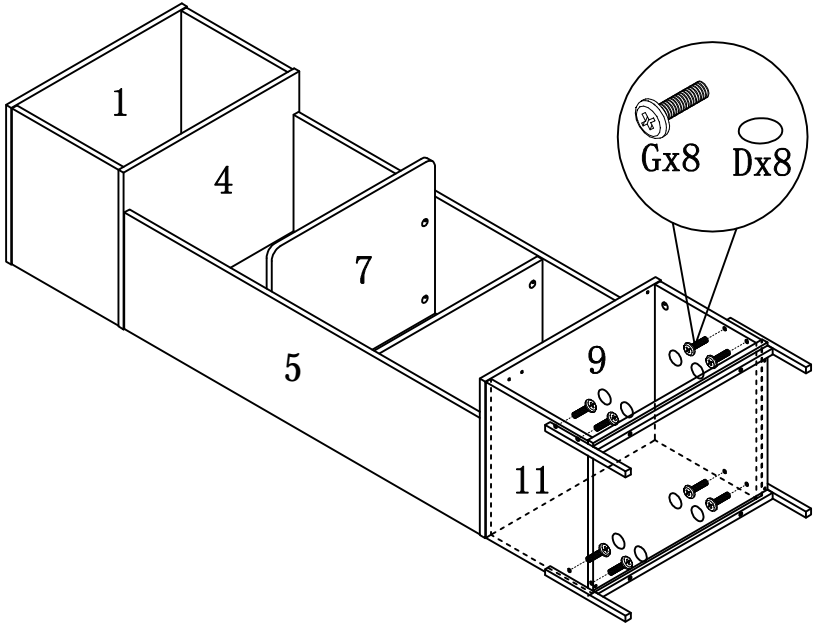
ASSEMBLY INSTRUCTION

ITEM#: 223107



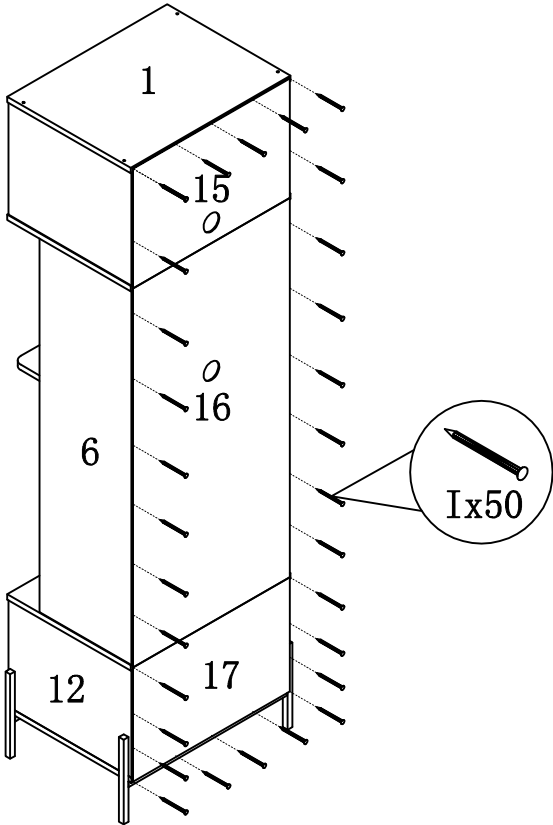
STEP9

STEP10



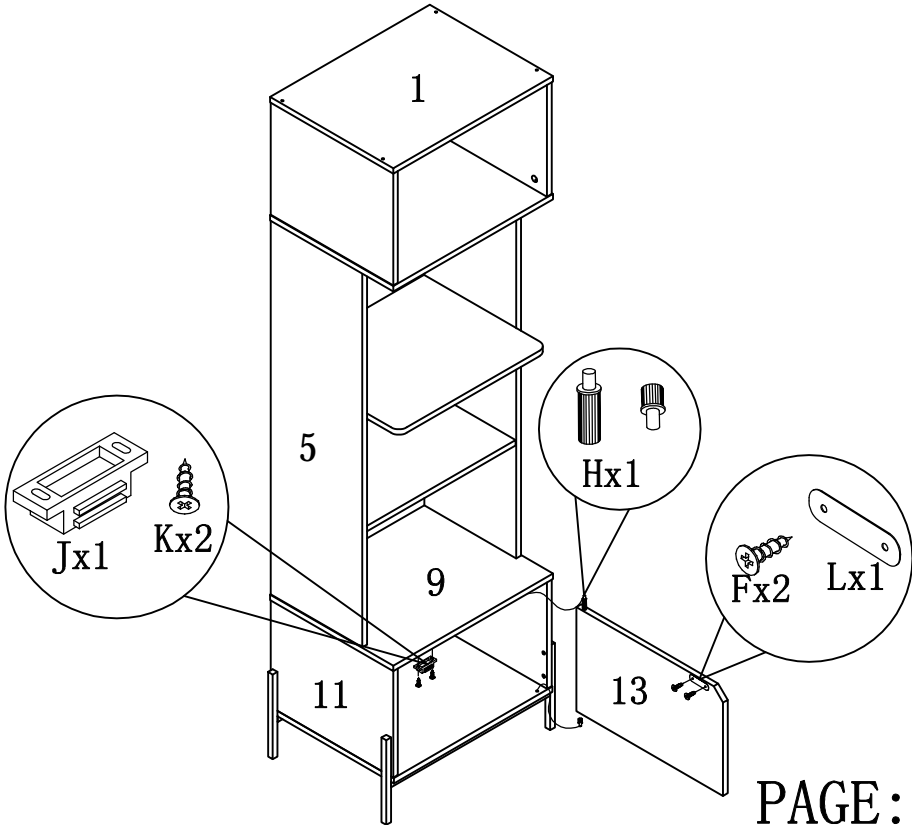
ASSEMBLY INSTRUCTION

ITEM#: 223107



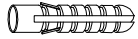
STEP 11

STEP 12

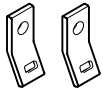


ANTI-TIPPING STRAP INSTRUCTION

HARDWARE (INCLUDED) :



DRYWALL ANCHOR $\phi 8 \times 40$ X 1PC



METAL BRACKETS $12 \times 12 \times 1$ X 2PCS



DRYWALL SCREW $\phi 5 \times 40$ X 1PC

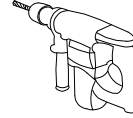


STRAP $197 \times 5 \times 1$ X 1PC



FLATHEAD SCREW $\phi 4 \times 25$ X 1PC

TOOLS NEEDED (NOT INCLUDED) :



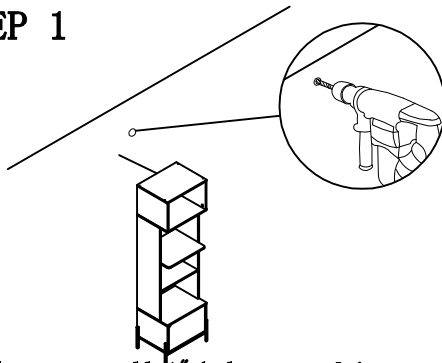
DRILL & DRILL BIT



LIGHT HAMMER

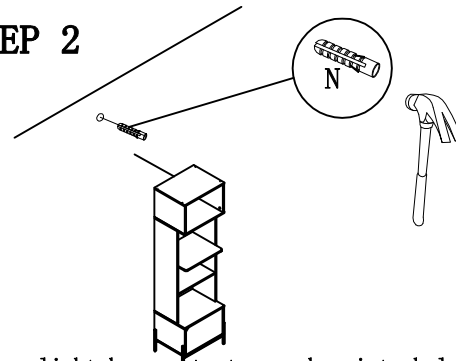
Note: Hardware included only compatible with standard drywalls.

STEP 1



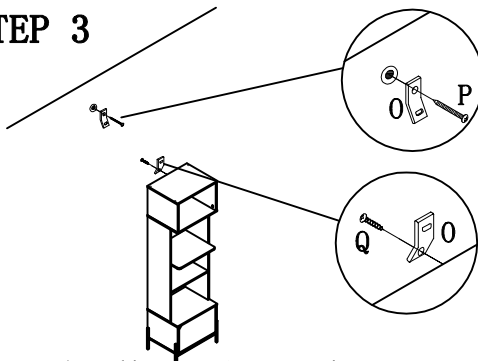
1. Find spot on wall 1" below top of item.
2. Using a drill bit slightly thinner than anchor, drill hole into drywall.

STEP 2



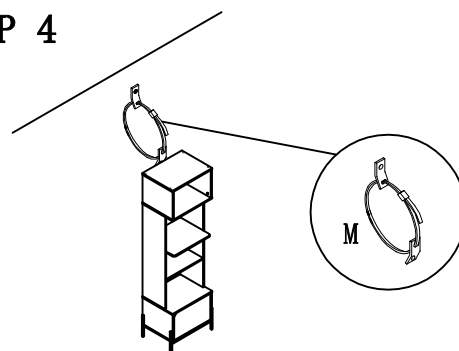
1. Use a light hammer to tap anchor into hole.
2. Anchor should fit snugly. If hole is too small, drill again to increase hole size. Do not force anchor into wall.

STEP 3



1. Insert drywall screw into metal bracket and into drywall anchor.
2. Insert flathead screw into second metal bracket and into back of item along top edge.

STEP 4



1. Insert strap thru bracket attached to wall, then thru bracket on item, and into head of strap.
 2. pull lightly til strap stops.
- Assembly is complete.