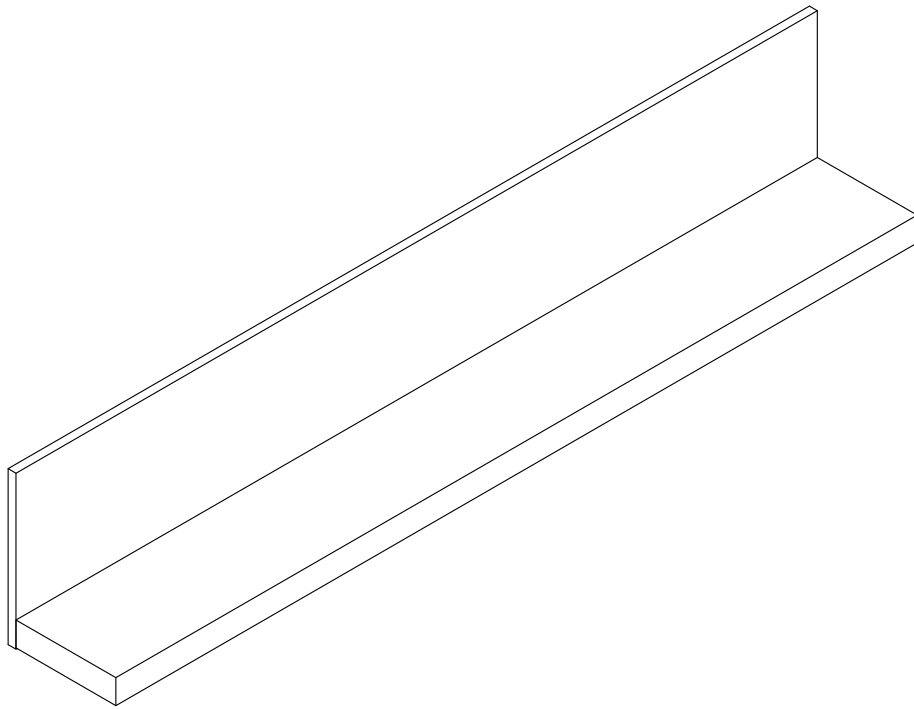


# ASSEMBLY INSTRUCTION

---

ITEM#: 27062BR/151300BR/171916BR



# ASSEMBLY INSTRUCTION

---

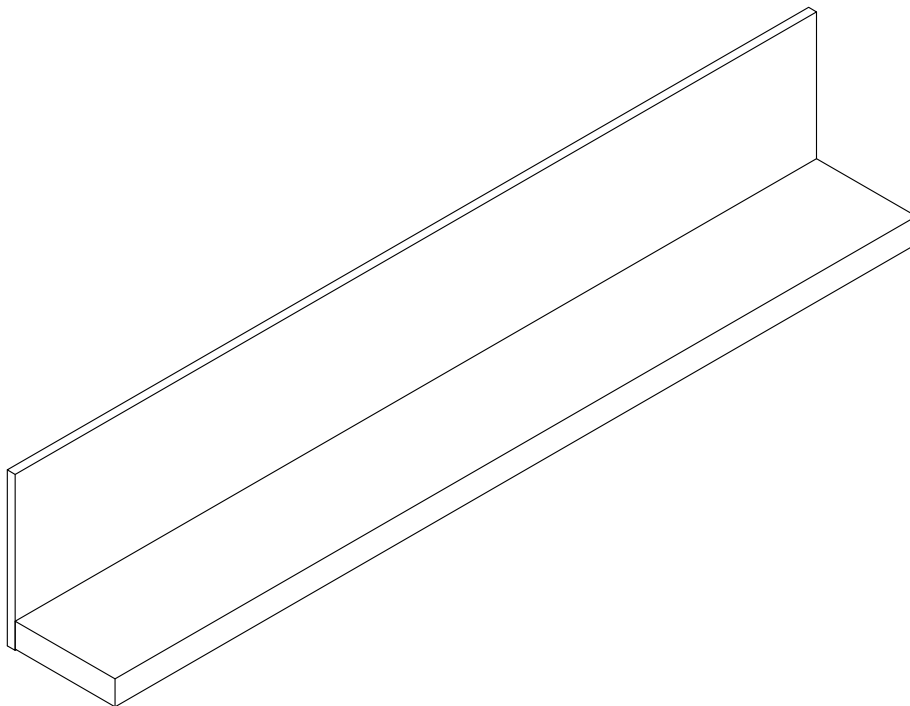
## **PLEASE READ BEFORE ASSEMBLING!**

Tip #1: Make sure you've taken all the pieces and hardware out of its packaging before discarding the box.

Tip #2: Using page 2 and/or page 3 of instruction manual make sure all pieces and hardware are accounted for.

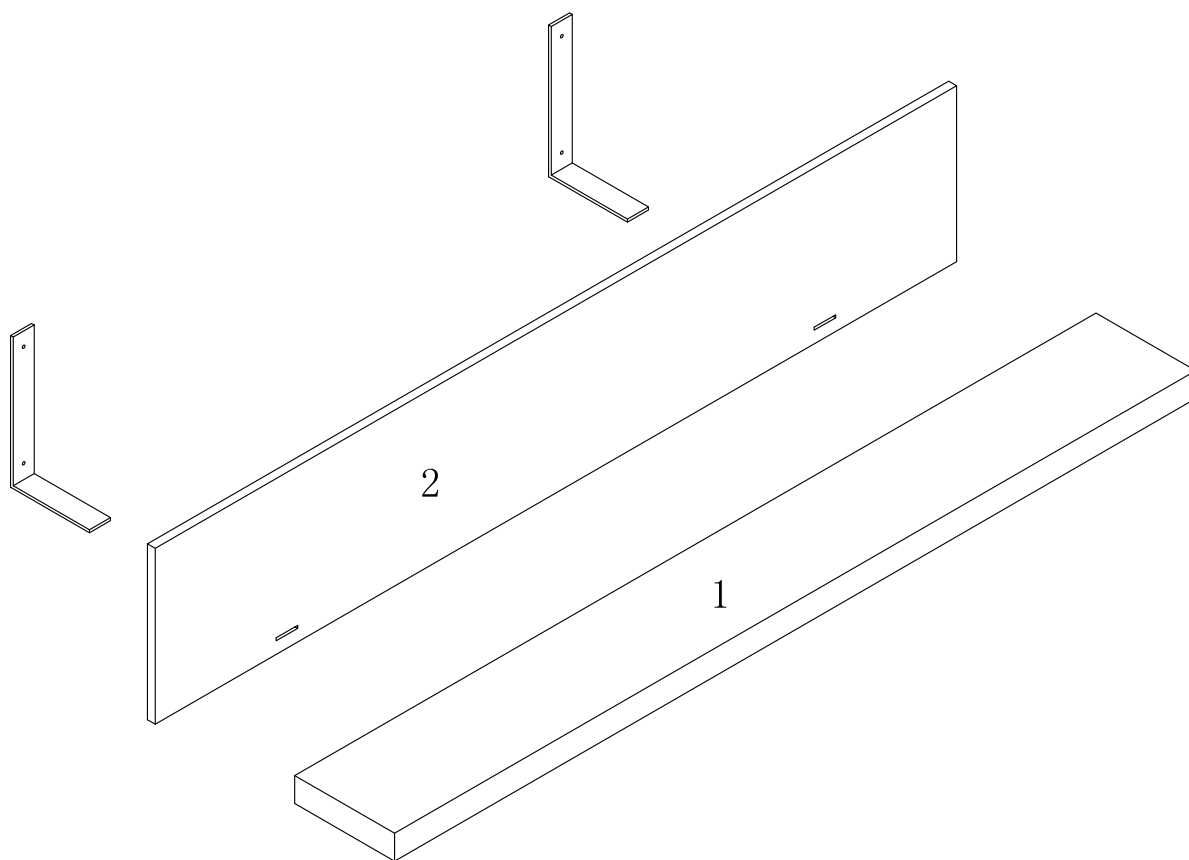
Tip #3: Read manual before assembling, it helps!

ITEM#: 27062BR/151300BR/171916BR



# PARTS IDENTIFICATION

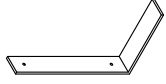

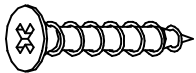
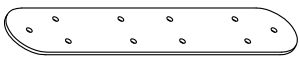
ITEM#: 27062BR/151300BR/171916BR



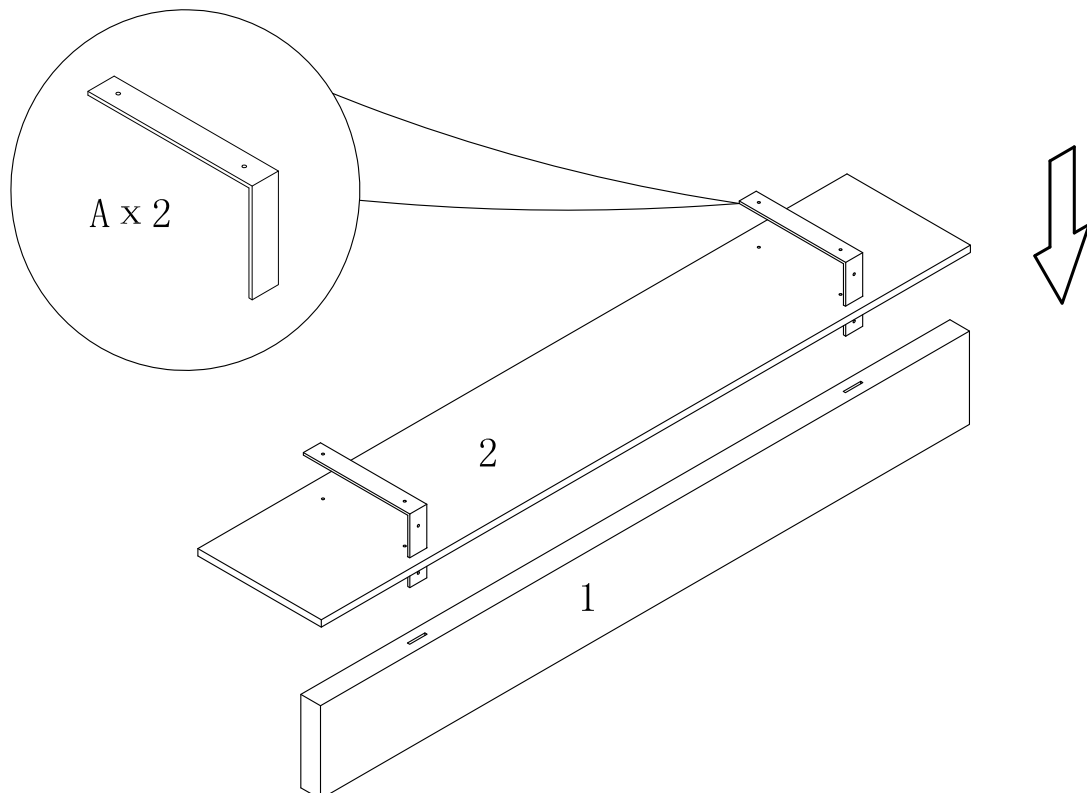
(1)	1pc
(2)	1pc

# HARDWARE IDENTIFICATION

ITEM#: 27062BR/151300BR/171916BR

A		150 x 100 x 30	2pcs/pcs
B		$\phi 4 \times 16$	20pcs/pcs
C		$\phi 4 \times 35$	4pcs/pcs
D			2pcs/pcs

## ASSEMBLY INSTRUCTION

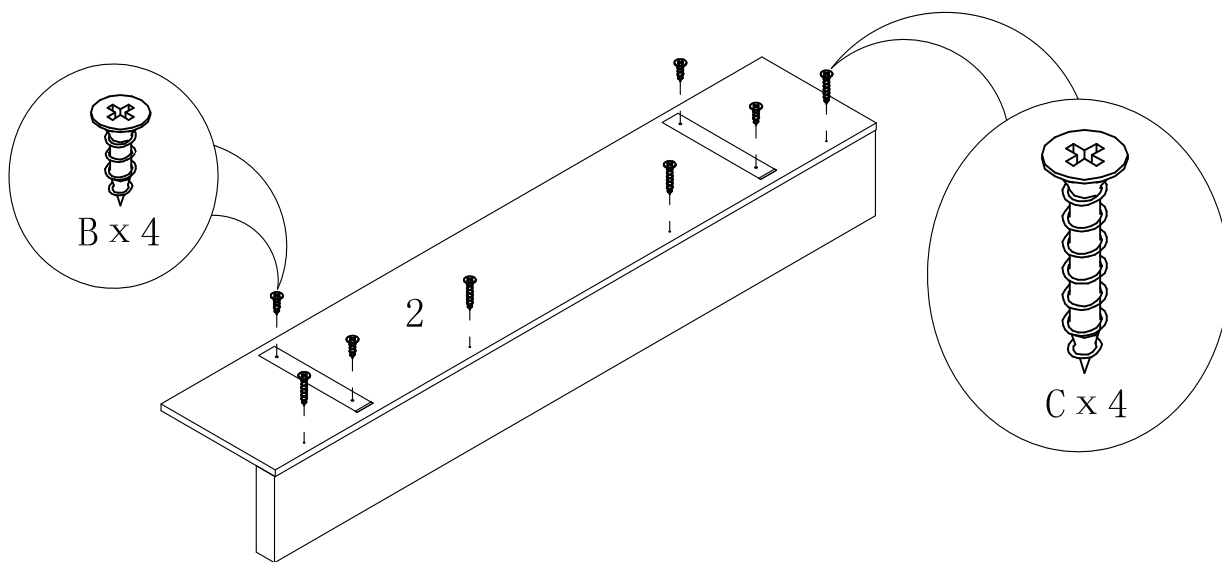


STEP1

PAGE: 3 OF 4

# ASSEMBLY INSTRUCTION

ITEM#: 27062BR/151300BR/171916BR



STEP2

STEP3

