

ASSEMBLY INSTRUCTION

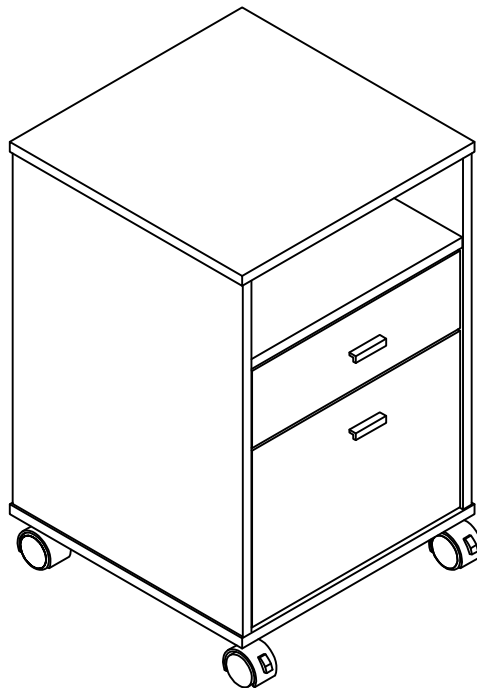
PLEASE READ BEFORE ASSEMBLING!

Tip #1: Make sure you've taken all the pieces and hardware out of its packaging before discarding the box.

Tip #2: Using page 2 and/or page 3 of instruction manual make sure all pieces and hardware are accounted for.

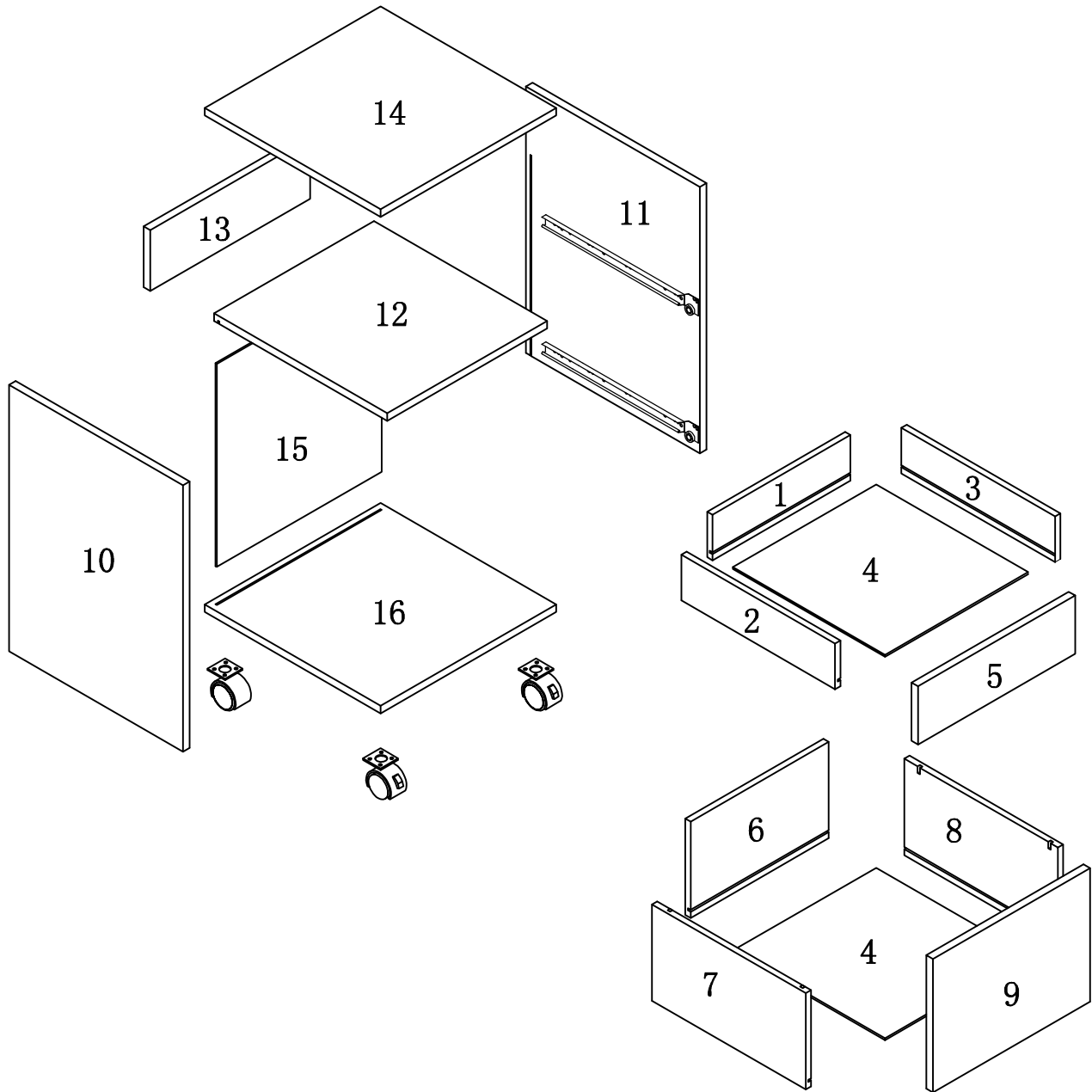
Tip #3: Read manual before assembling, it helps!

ITEM#	29276	11491	151180	161528
		192496		



PARTS IDENTIFICATION

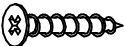

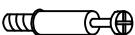



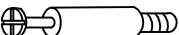


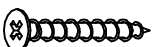


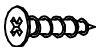
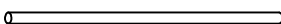
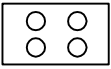

ITEM#: 151180



(1)	1pc	(7)	1pc	(13)	1pc
(2)	1pc	(8)	1pc	(14)	1pc
(3)	1pc	(9)	1pc	(15)	1pc
(4)	2pcs	(10)	1pc	(16)	1pc
(5)	1pc	(11)	1pc		
(6)	1pc	(12)	1pc		

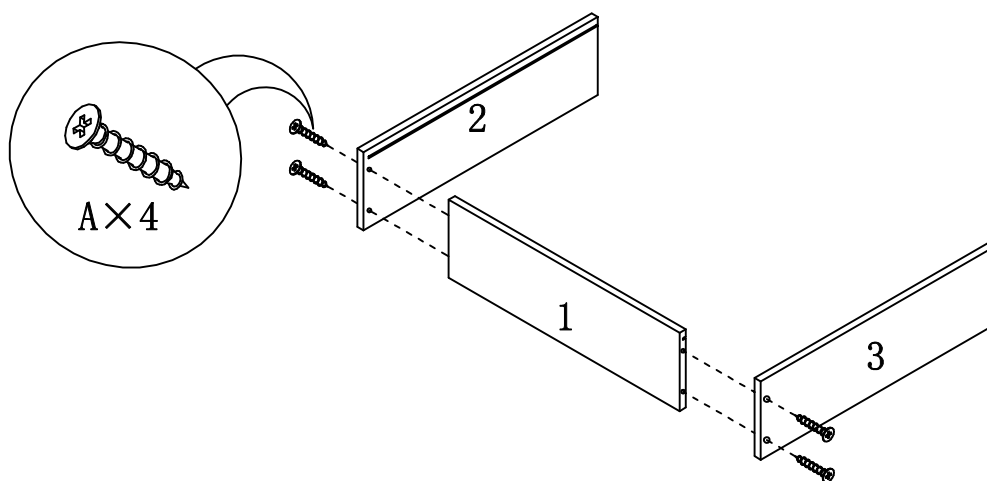
HARDWARE IDENTIFICATION

ITEM#: 151180

A		$\varnothing 4 \times 30$	10pcs
B		$\varnothing 12$	8pcs
C		L20	8pcs
D		64#	2pcs
E		$\varnothing 4 \times 22$	4pcs
F		$\varnothing 6 \times 30$	2pcs
G		L29	8pcs
H		$\varnothing 15$	8pcs
I		$\varnothing 8 \times 25$	17pcs
J		$\varnothing 4 \times 35$	4pcs
K		H55	2pcs
L		H55	2pcs
M		$\varnothing 4 \times 16$	16pcs
N		$\varnothing 5 \times 323$	2pcs
O		$\varnothing 18$	4pcs
P		Glue: For securing please apply to wood dowel first before inserting into panel	1pc

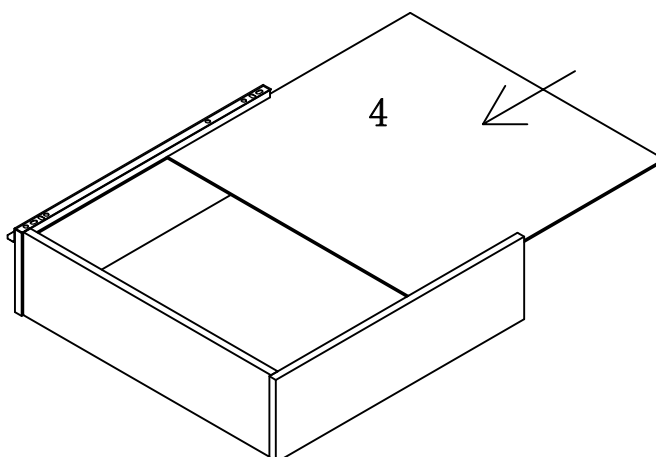
ASSEMBLY INSTRUCTION

ITEM#: 151180

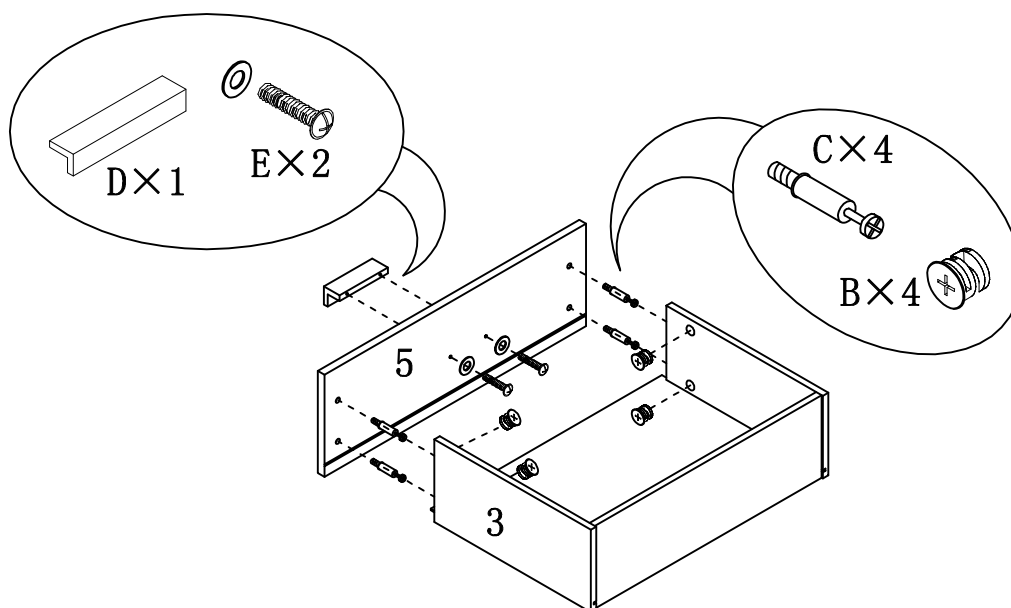


STEP1

STEP2

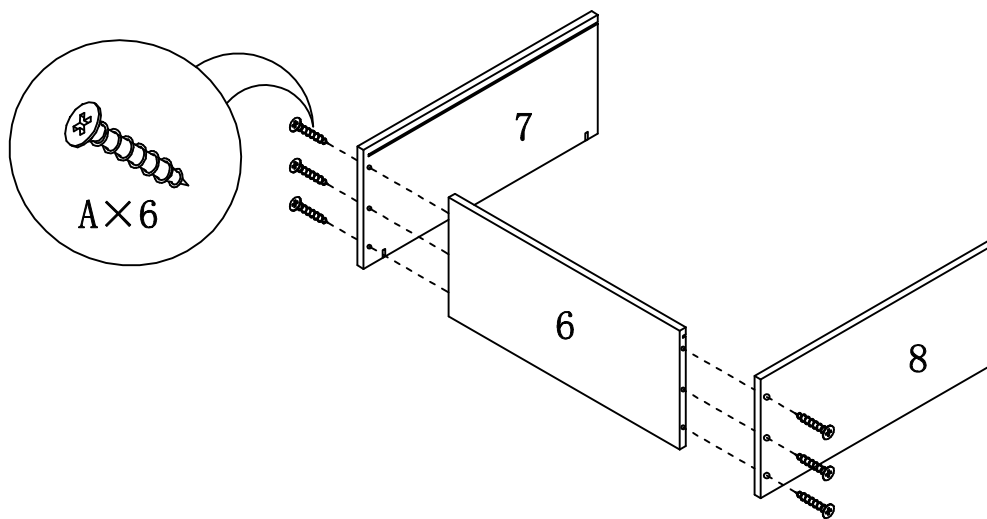


STEP3



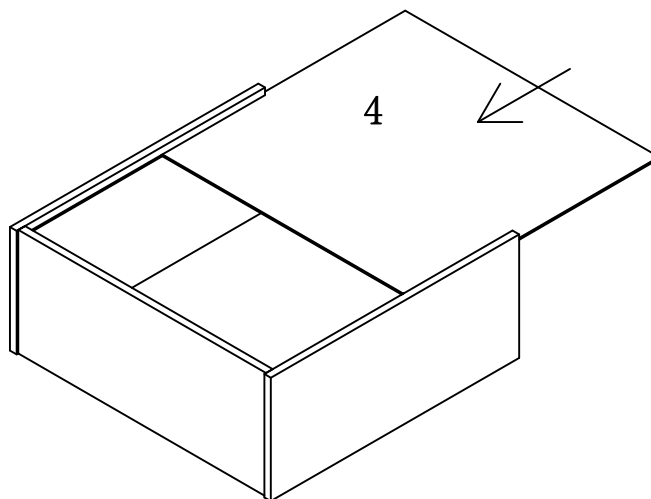
ASSEMBLY INSTRUCTION

ITEM#: 151180

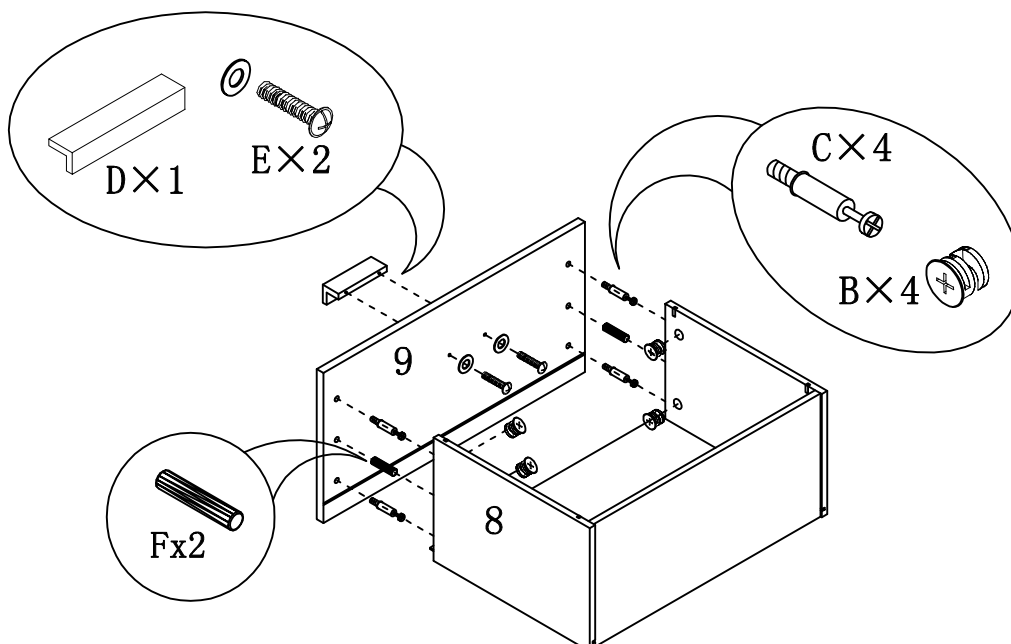


STEP4

STEP5

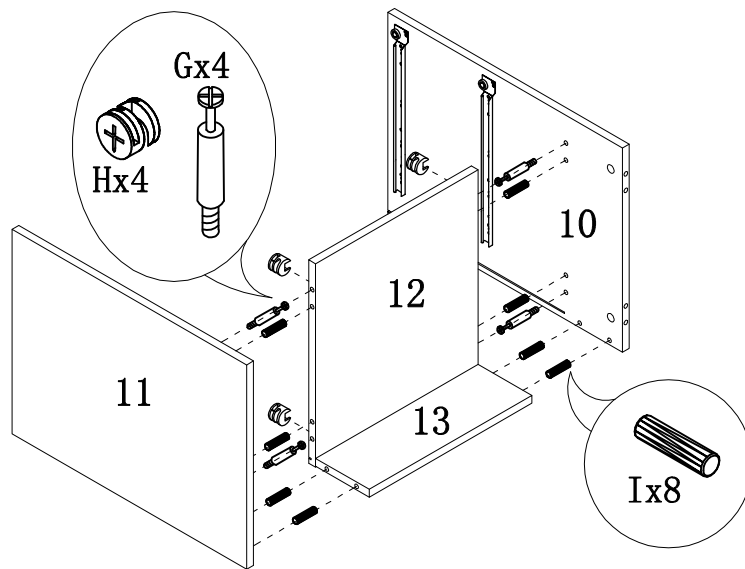


STEP6



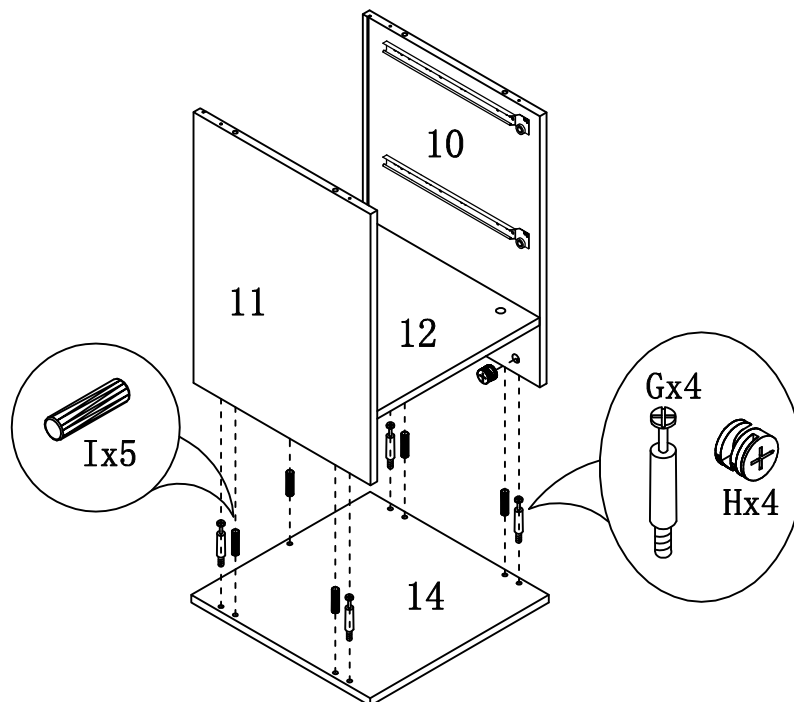
ASSEMBLY INSTRUCTION

ITEM#: 151180



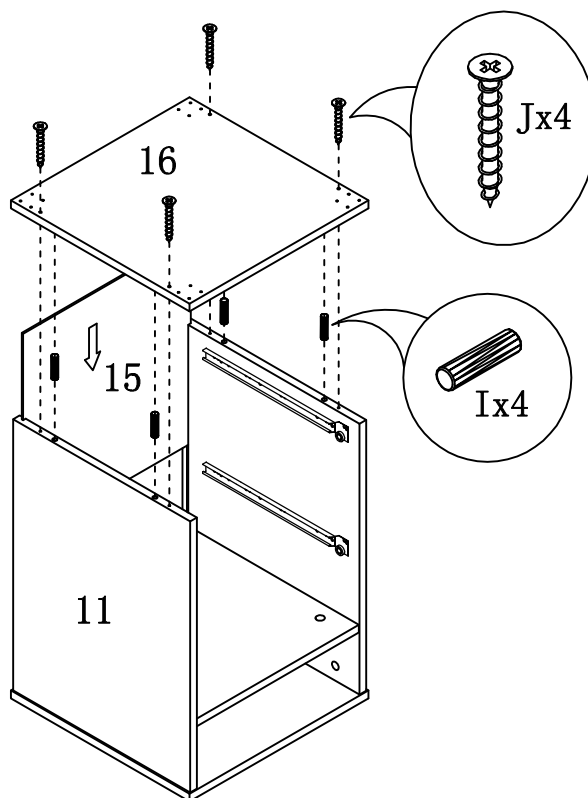
STEP7

STEP8



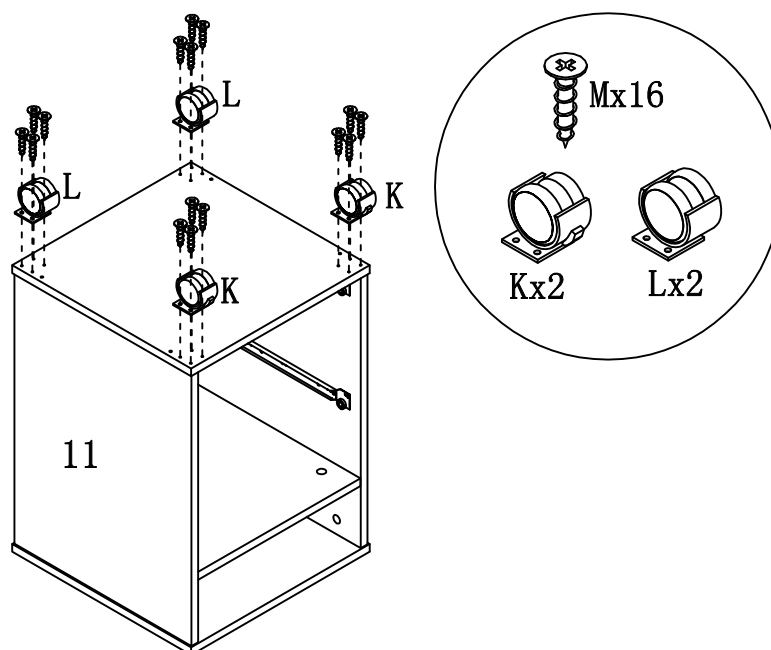
ASSEMBLY INSTRUCTION

ITEM#: 151180



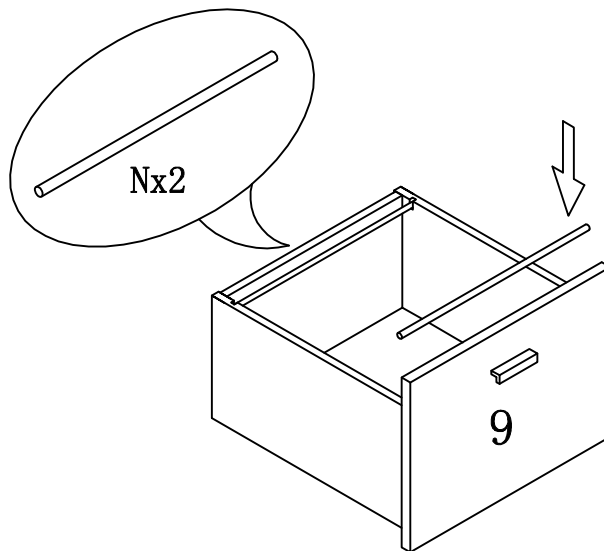
STEP9

STEP10



ASSEMBLY INSTRUCTION

ITEM#: 151180



STEP11

STEP12

