

ASSEMBLY INSTRUCTION

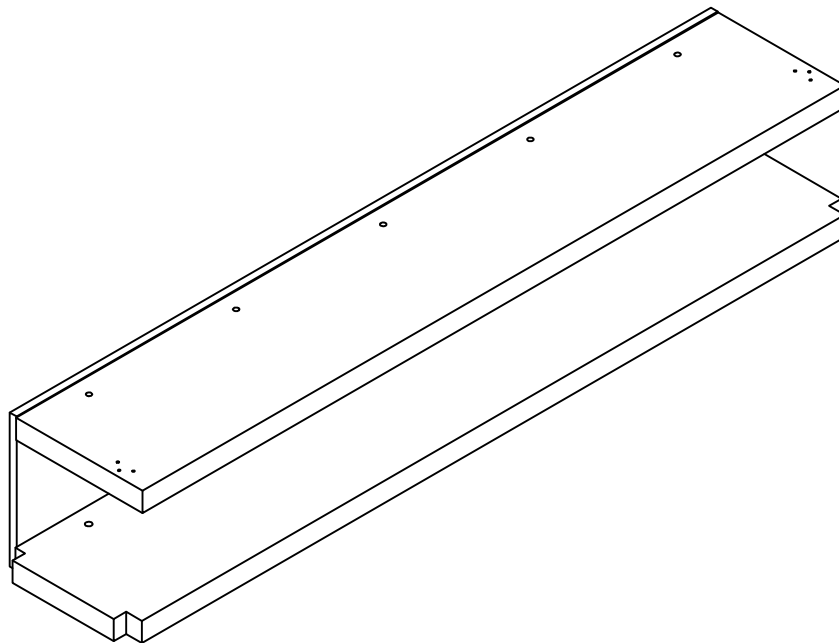
PLEASE READ BEFORE ASSEMBLING!

Tip #1: Make sure you've taken all the pieces and hardware out of its packaging before discarding the box.

Tip #2: Using page 2 and/or page 3 of instruction manual make sure all pieces and hardware are accounted for.

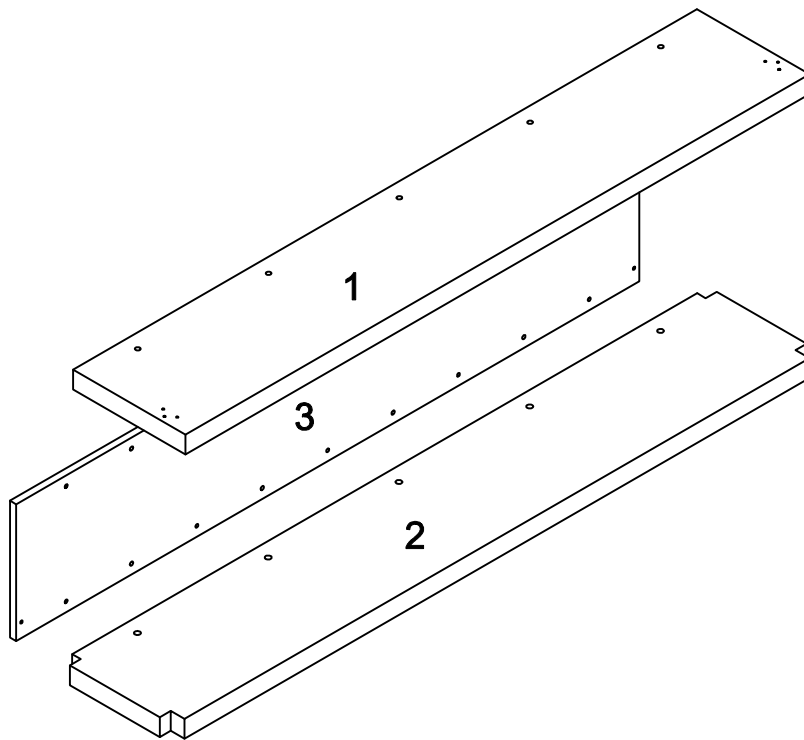
Tip #3: Read manual before assembling, it helps!

ITEM# 11458 171921



PARTS IDENTIFICATION






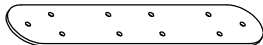

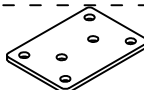


ITEM#: 11458



(1)	1pc
(2)	1pc
(3)	1pc

HARDWARE IDENTIFICATION

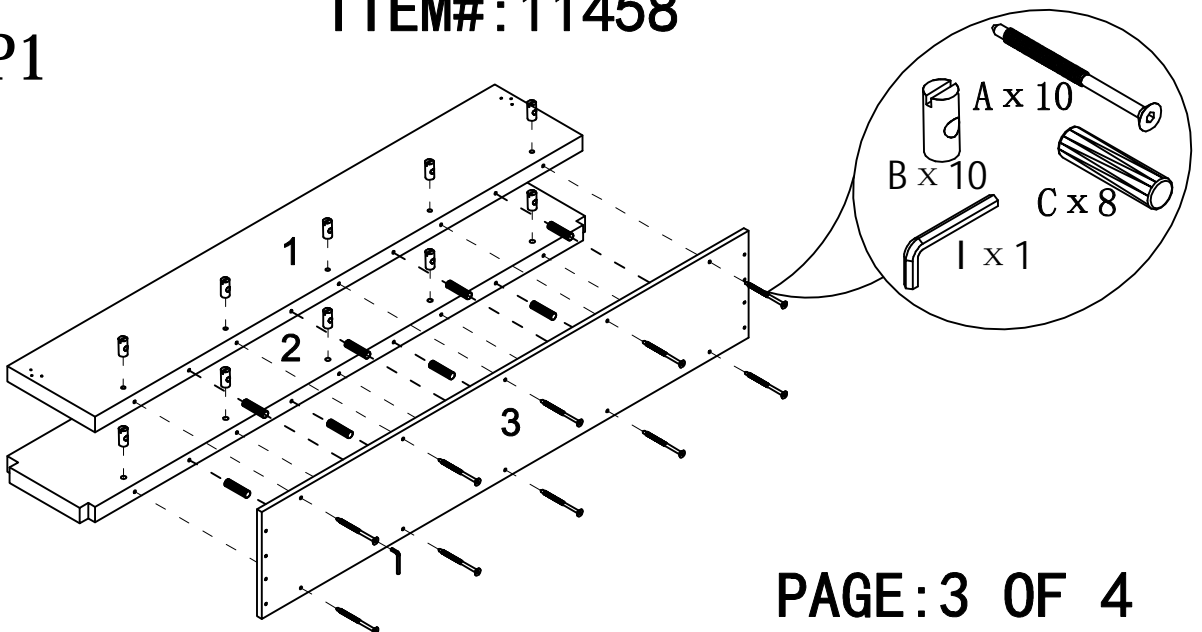
ITEM#: 11458

A		M6x65	10pcs
B		ø10	10pcs
C		ø8 x 25	8pcs
D		ø5	2pcs
E		ø4 x 30	2pcs
F		247x38x3	2pcs
G		φ 4 x 16	26pcs
H		70x50x2	2pcs
I		M4	1pc
J		Glue: For securing please apply to wood dowel first before inserting into panel	1pc

ASSEMBLY INSTRUCTION

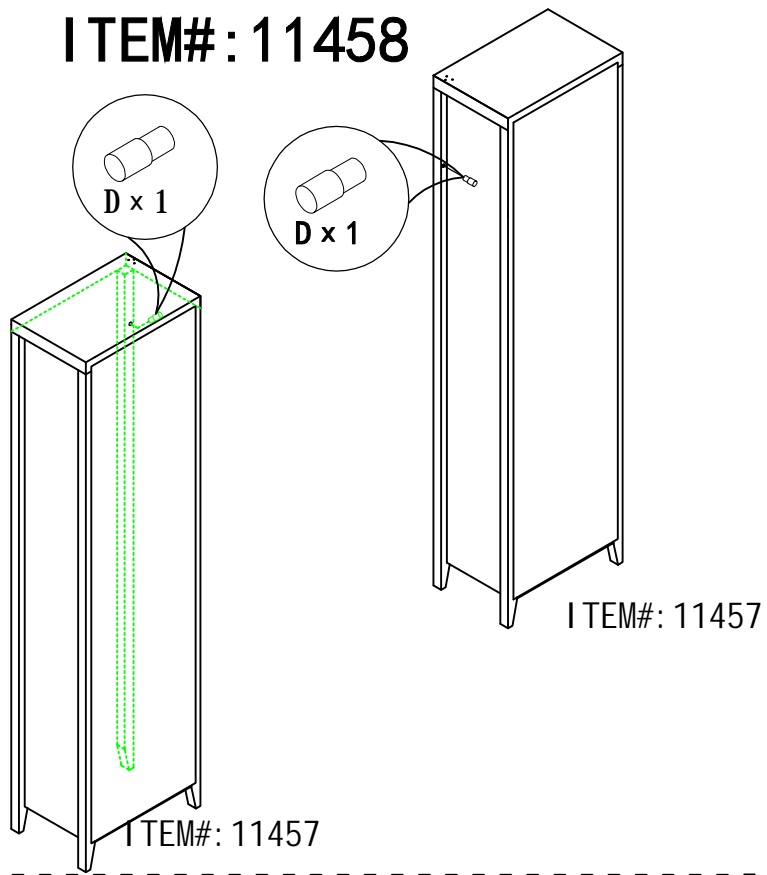
ITEM#: 11458

STEP1



ASSEMBLY INSTRUCTION

ITEM#: 11458



STEP2

STEP3

