

# ASSEMBLY INSTRUCTION

---

## PLEASE READ BEFORE ASSEMBLING!

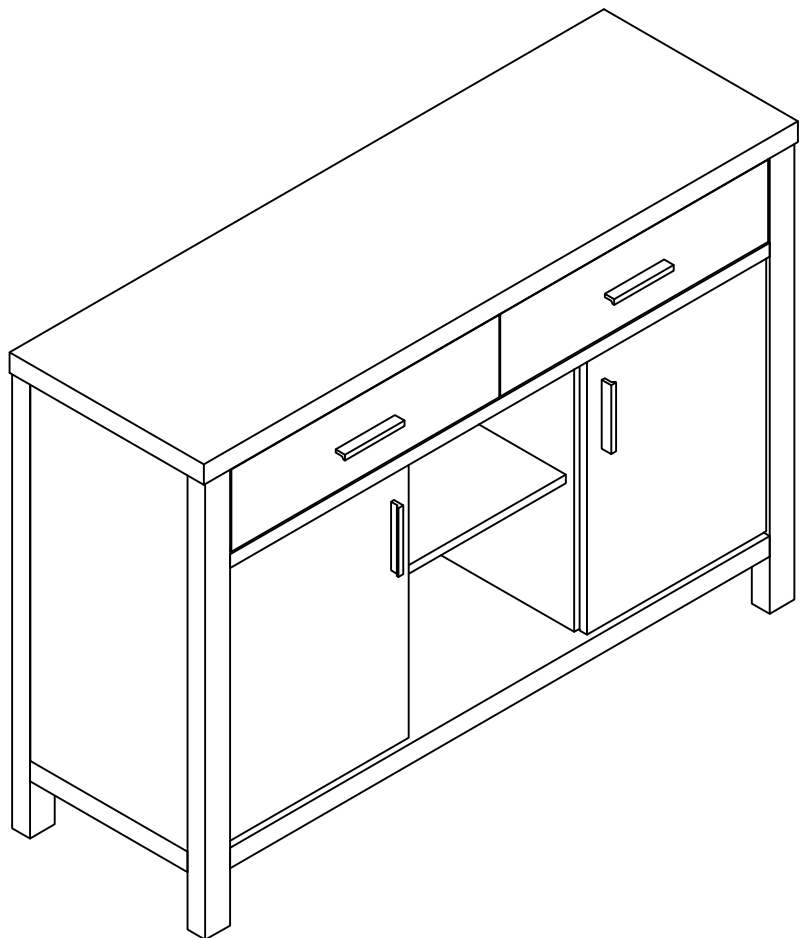
Tip #1: Make sure you've taken all the pieces and hardware out of its packaging before discarding the box.

Tip #2: Using page 2 and/or page 3 of instruction manual make sure all pieces and hardware are accounted for.

Tip #3: Read manual before assembling, it helps!

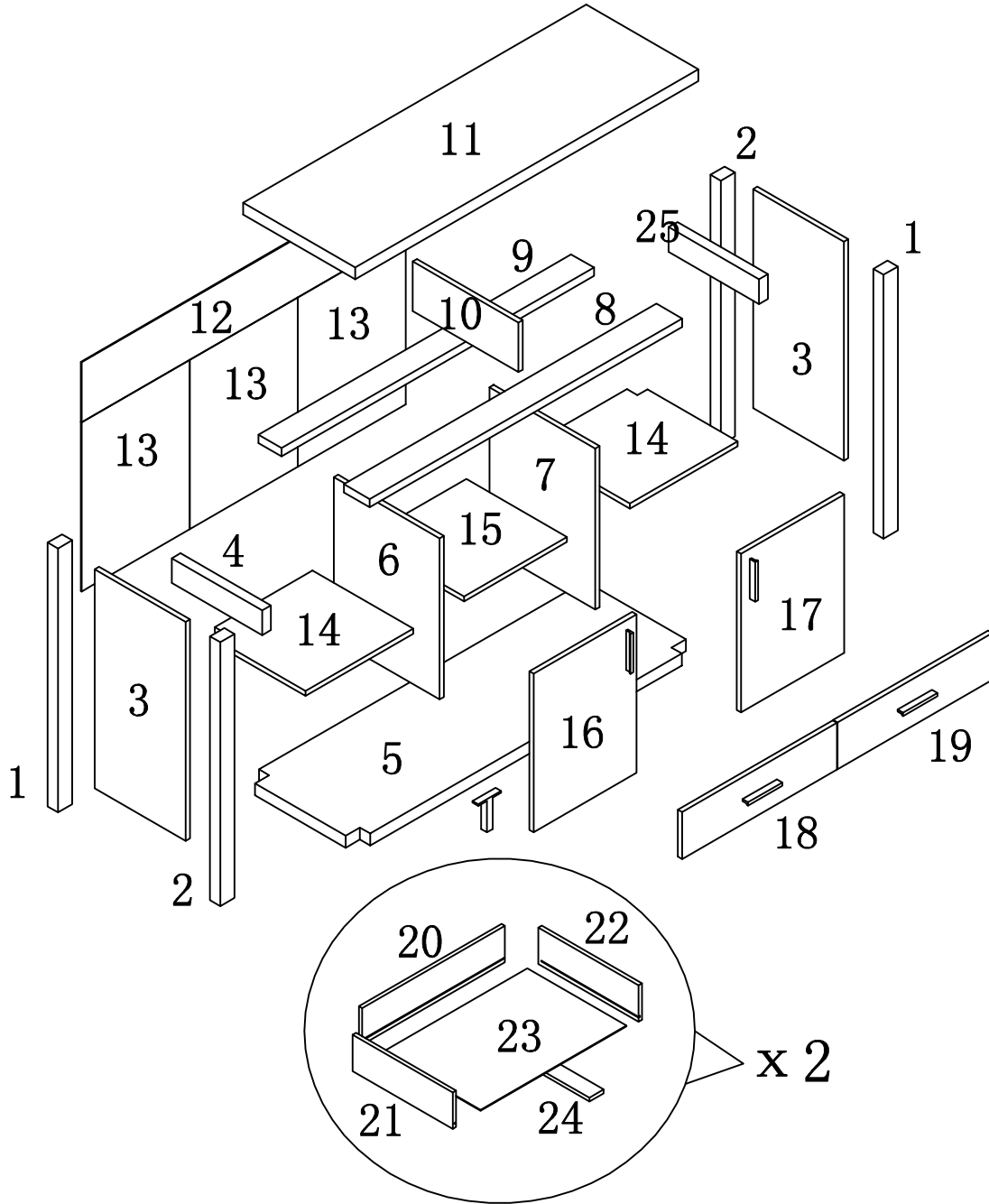
ITEM#: 11463 151199 161785 192429

Need some help?  
Scan here for  
assembly video.



# PARTS IDENTIFICATION

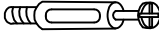


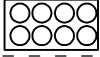
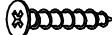

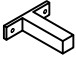


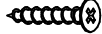
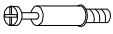


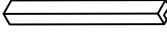








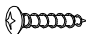
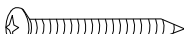
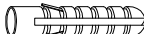

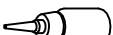
ITEM#: 11463 151199 161785 192429



(1)	2pcs	(8)	1pc	(15)	1pc	(22)	2pcs
(2)	2pcs	(9)	1pc	(16)	1pc	(23)	2pcs
(3)	2pcs	(10)	1pc	(17)	1pc	(24)	2pcs
(4)	1pc	(11)	1pc	(18)	1pc	(25)	1pc
(5)	1pc	(12)	1pc	(19)	1pc		
(6)	1pc	(13)	3pcs	(20)	2pcs		
(7)	1pc	(14)	2pcs	(21)	2pcs		

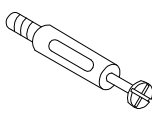
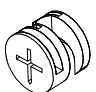
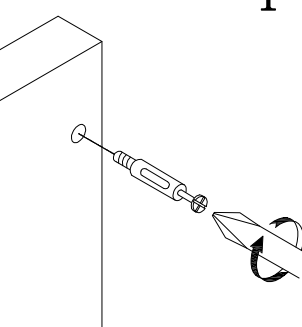
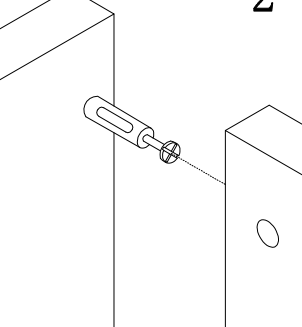
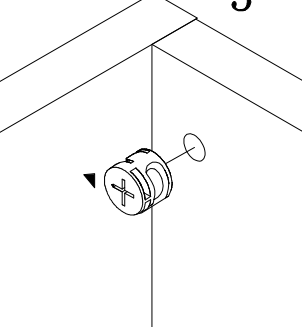
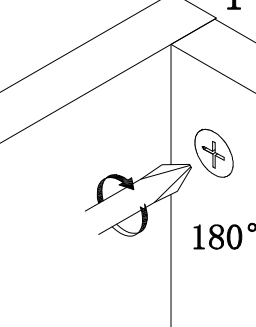
# HARDWARE IDENTIFICATION

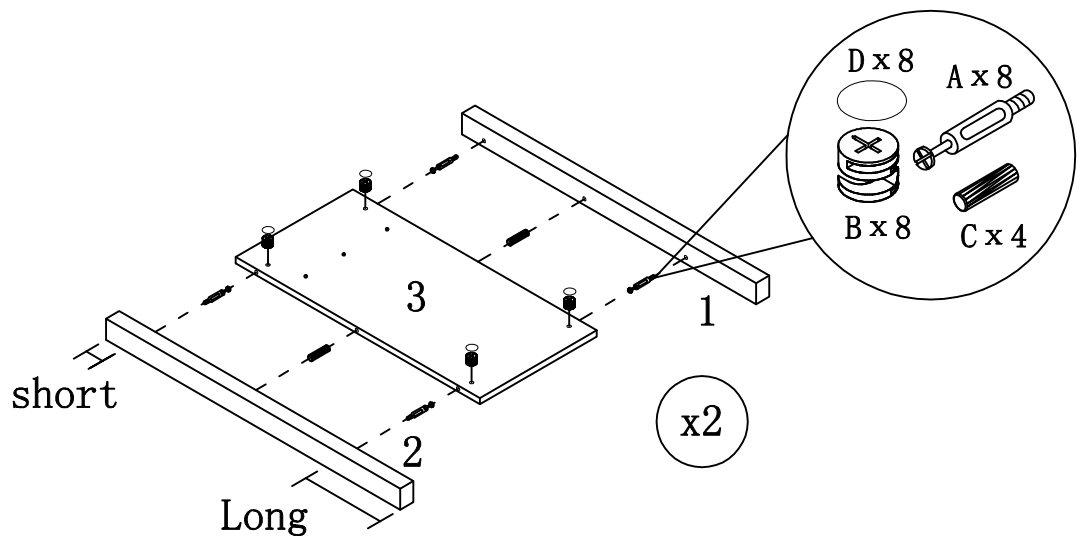
ITEM#: 11463 151199 161785 192429

A		L29	22pcs
B		Φ 15	22pcs
C		Φ 8 x 25	19pcs
D		Φ 18	8pcs
E		Φ 4 x 30	20pcs
F		Φ 4 x 50	8pcs
G		80 x 25 x 102H	1pc
H		M6 x 12	2pcs
I		Z1016	54pcs
J		Φ 4 x 25	4pcs
K		L20	8pcs
L		Φ 10	8pcs
M		Φ 6 x 30	4pcs
N		96MM	4pcs
O		Φ 4 x 22	8pcs
P		Φ 5	12pcs
Q		Φ 8	2sets
R			2sets
S		Φ 3 x 16	4pcs
T		Φ 3 x 14	4pcs
U		Φ 16	5pcs
V		197×5×1	1pc
W		Ø4×25	1pc
X		Ø5×40	1pc
Y		Ø8×40	1pc
Z		12×12×1	2pcs
A1		Glue: For securing please apply to wood dowel first before inserting into panel	1pc

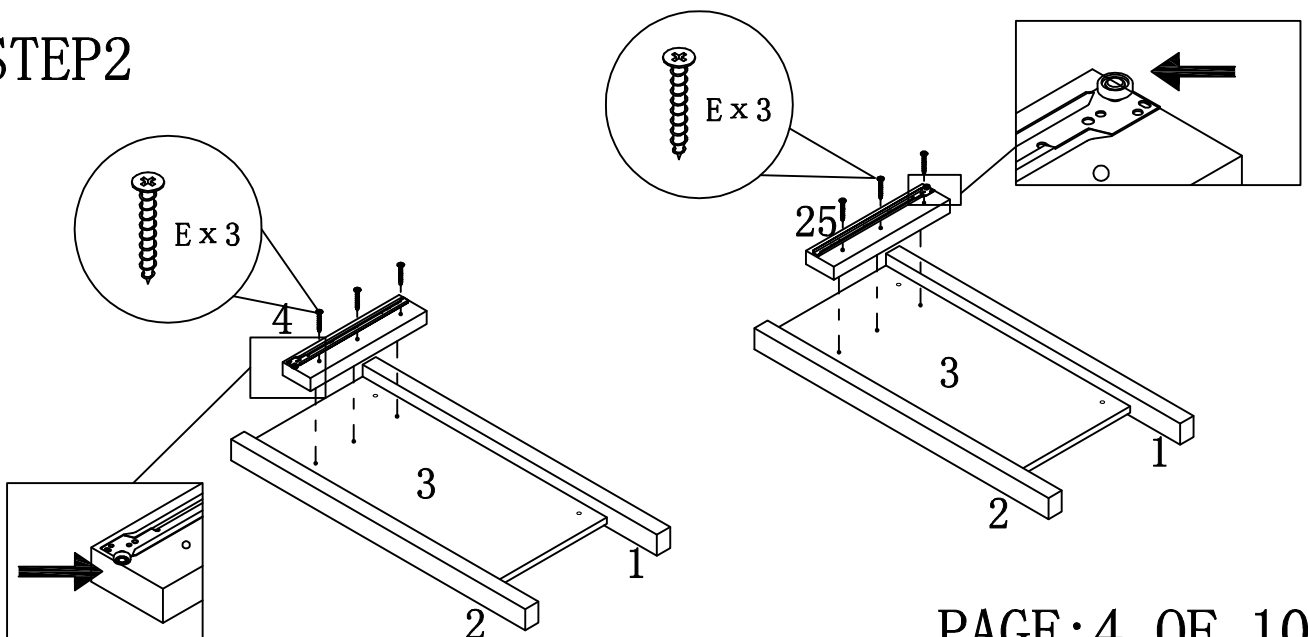
# ASSEMBLY INSTRUCTION

ITEM#: 11463 151199 161785 192429

HOW TO	1	2	3	4
 Cam Bolt   Cam Lock				
	1. Screw Cam Bolt into panel.	2. Insert Cam Bolt into bolt hole of joining panel.	3. Insert Cam Lock. arrow facing bolt.	4. Gently turn Cam Lock clockwise to lock position.

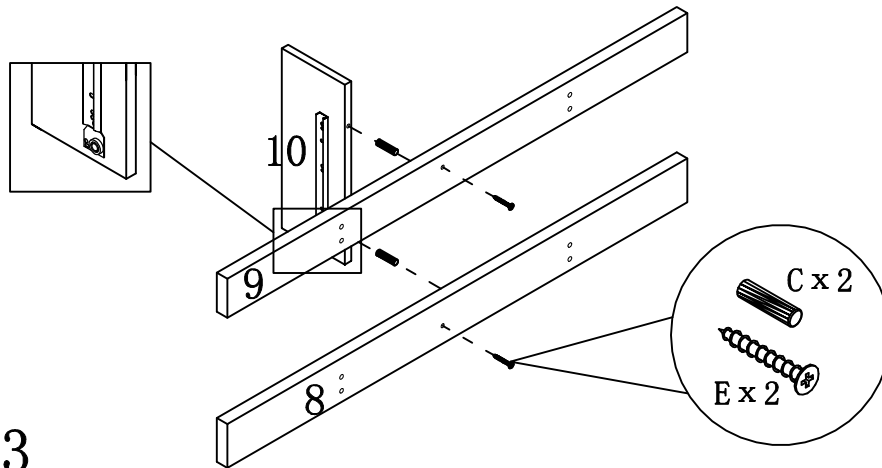


## STEP 2



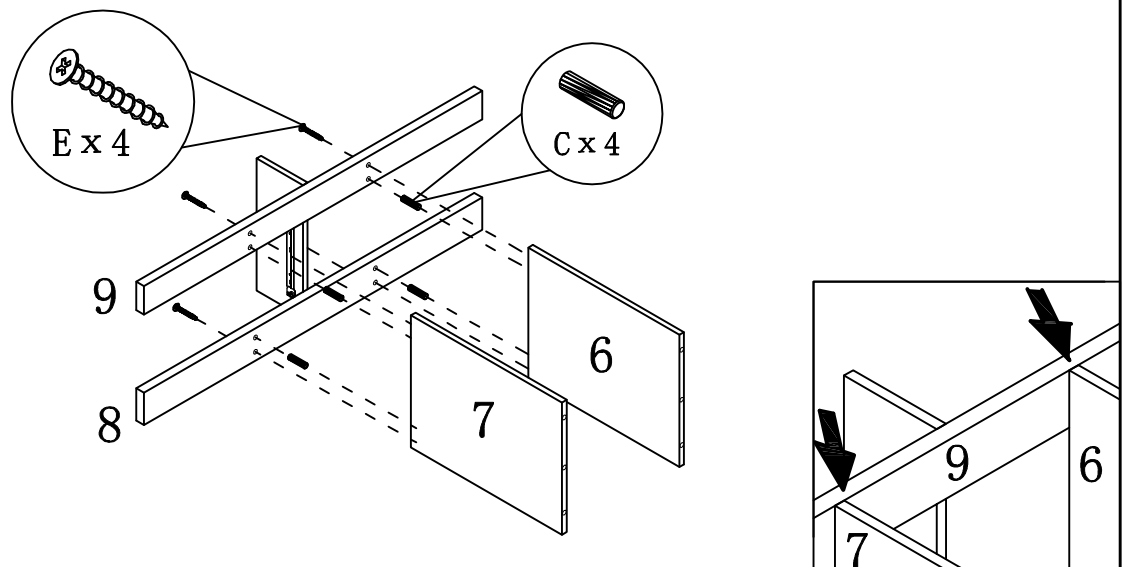
# ASSEMBLY INSTRUCTION

ITEM#: 11463 151199 161785 192429

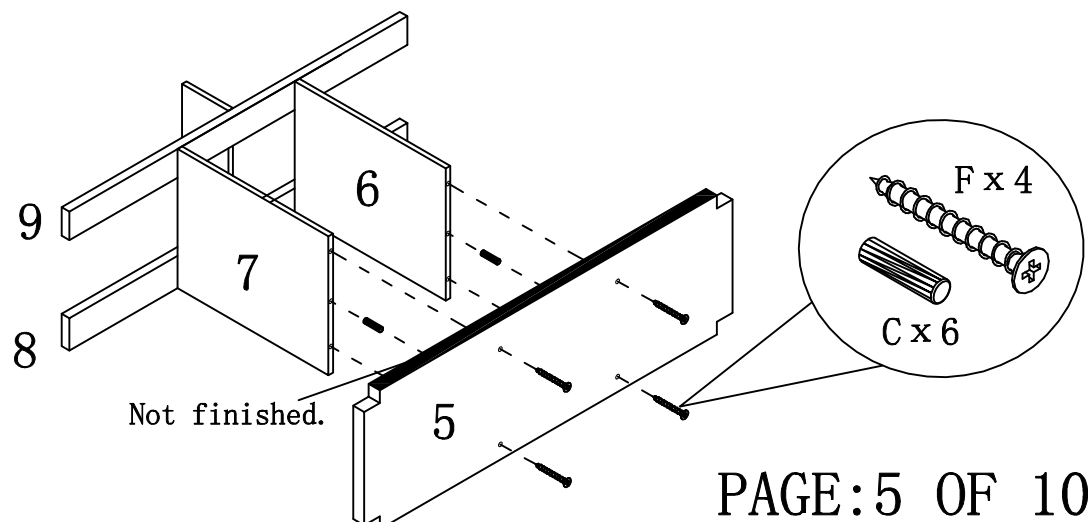


STEP3

STEP4

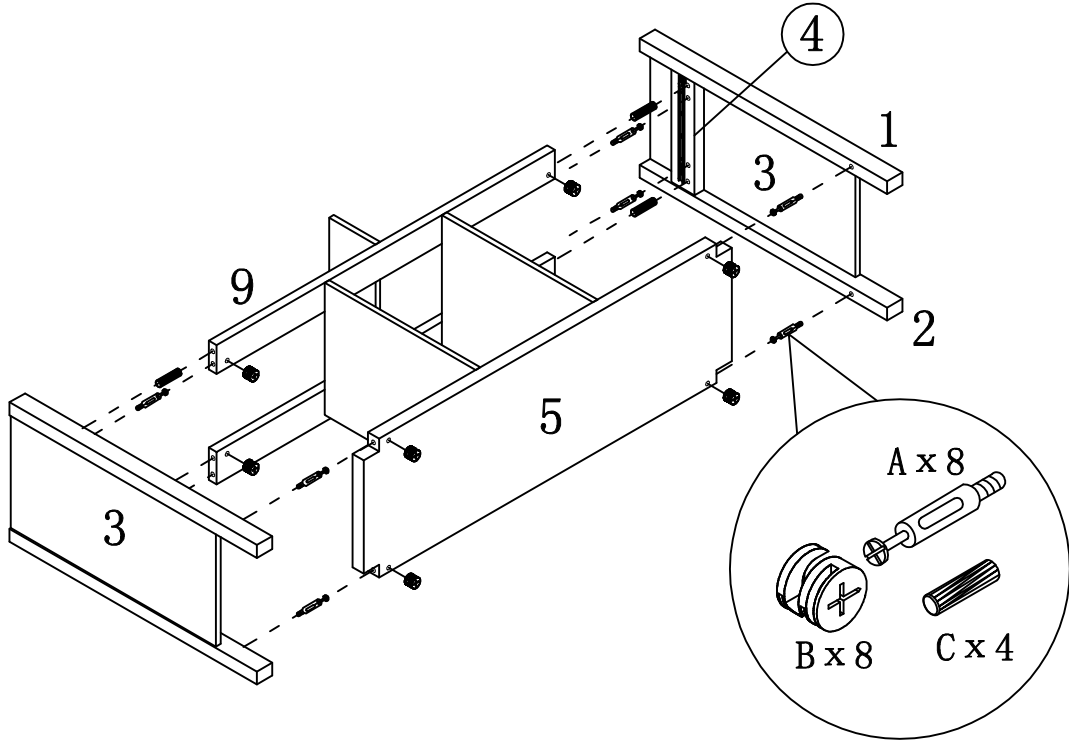


STEP5



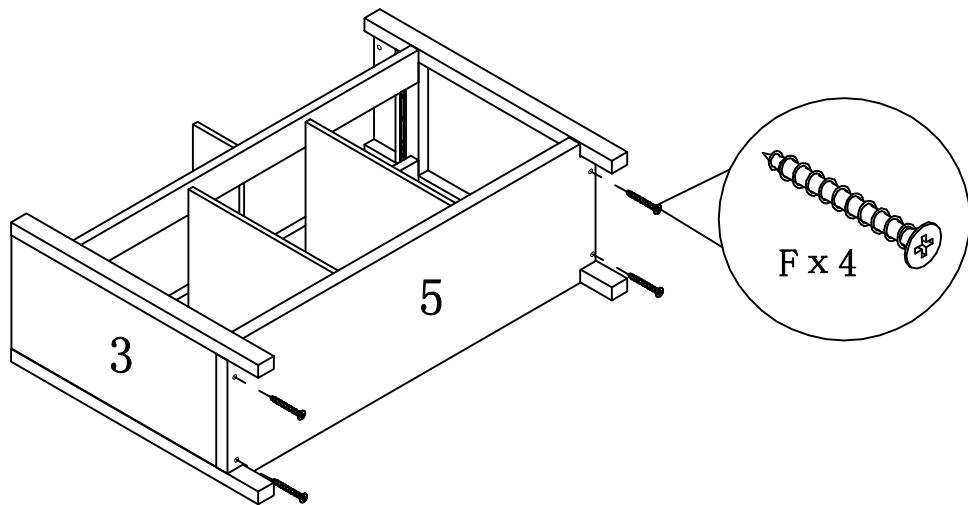
# ASSEMBLY INSTRUCTION

ITEM#: 11463 151199 161785 192429



STEP 6

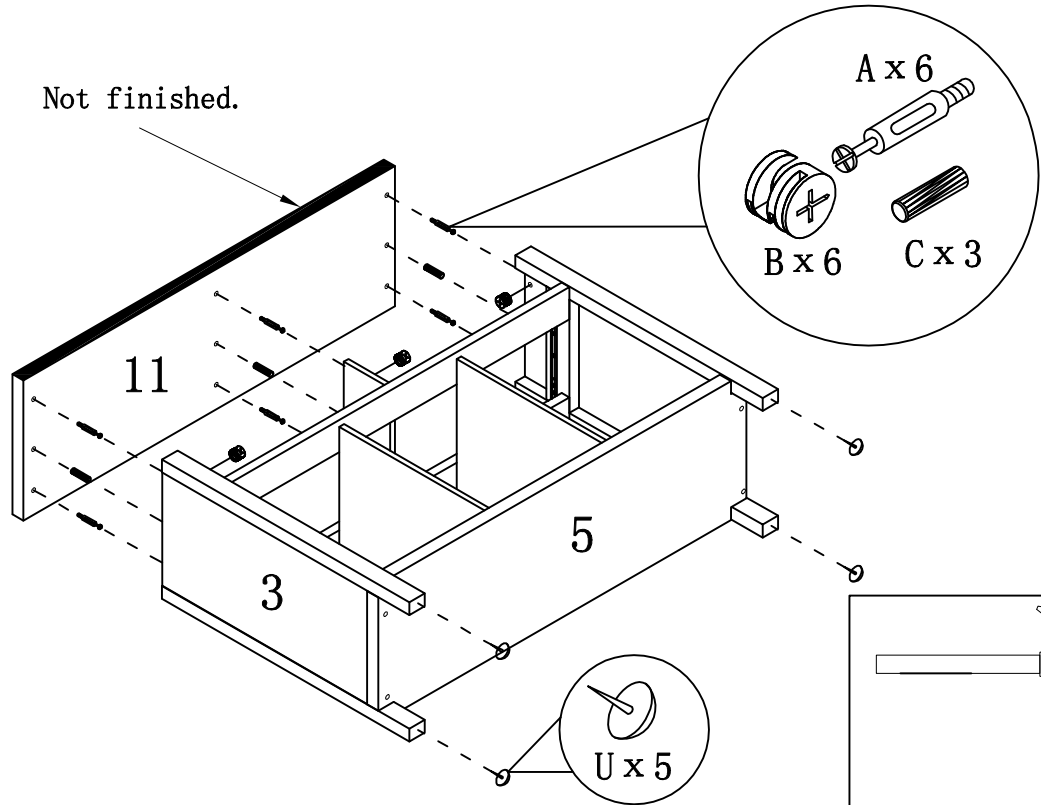
STEP 7



# ASSEMBLY INSTRUCTION

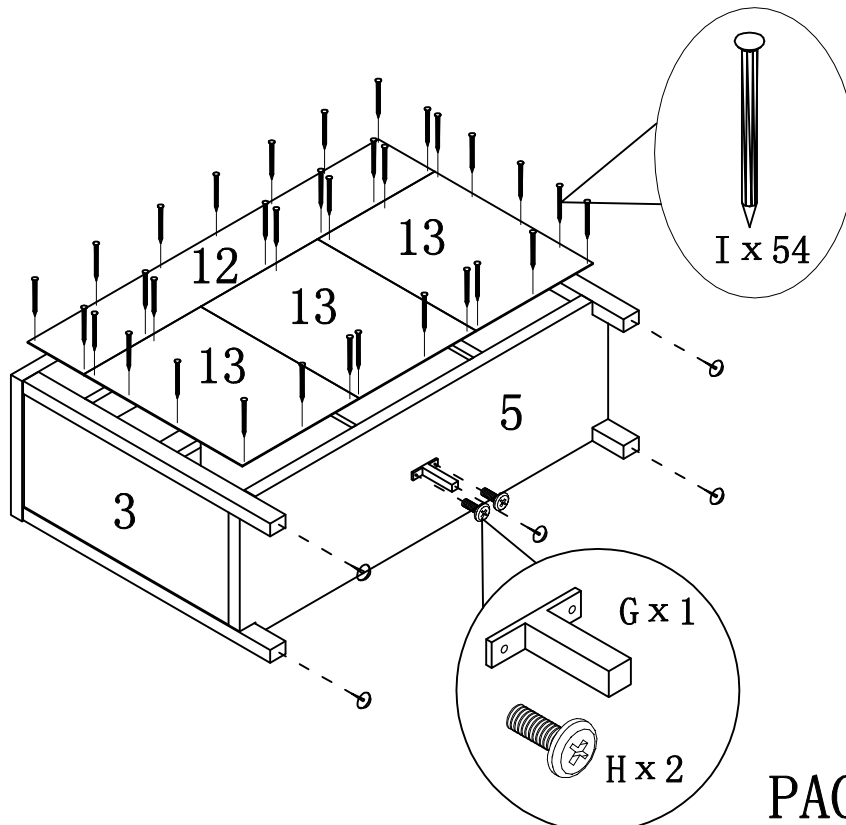
ITEM#: 11463 151199 161785 192429

Not finished.



STEP8

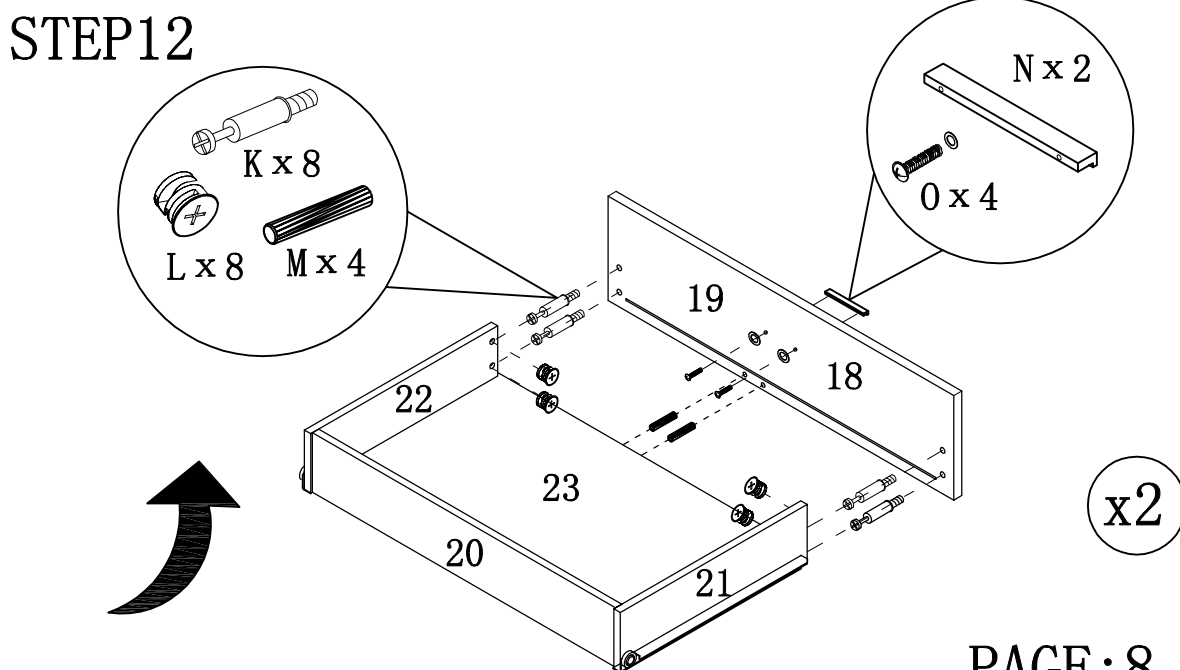
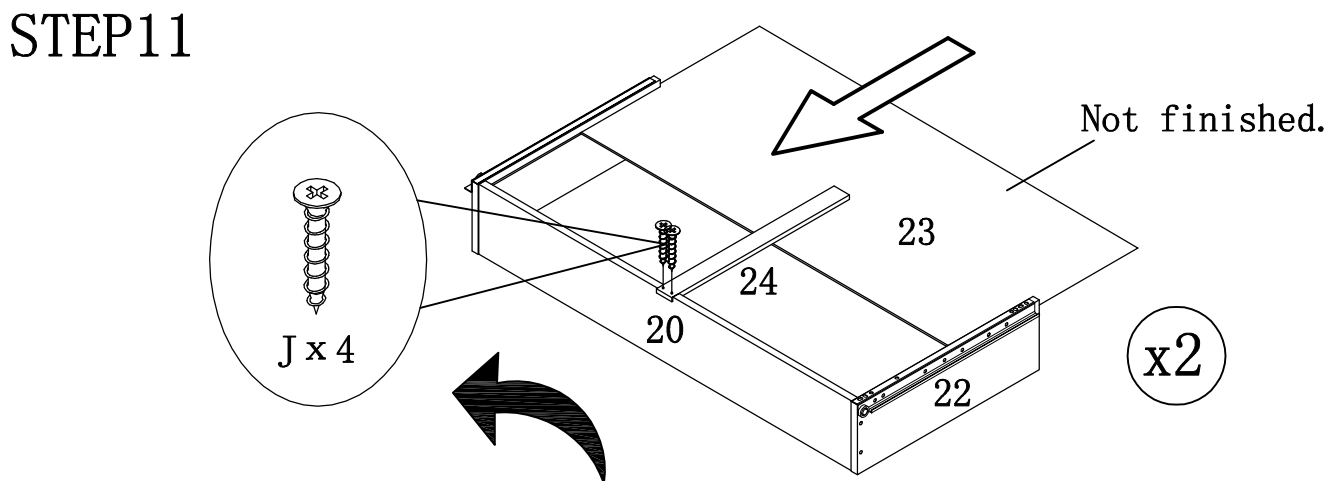
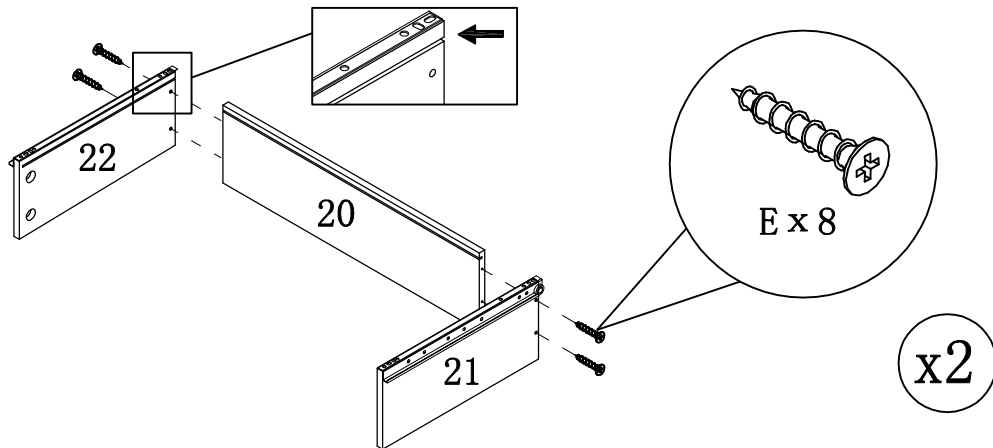
STEP9



PAGE: 7 OF 10

# ASSEMBLY INSTRUCTION

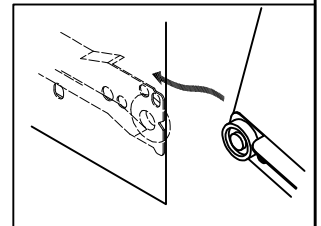
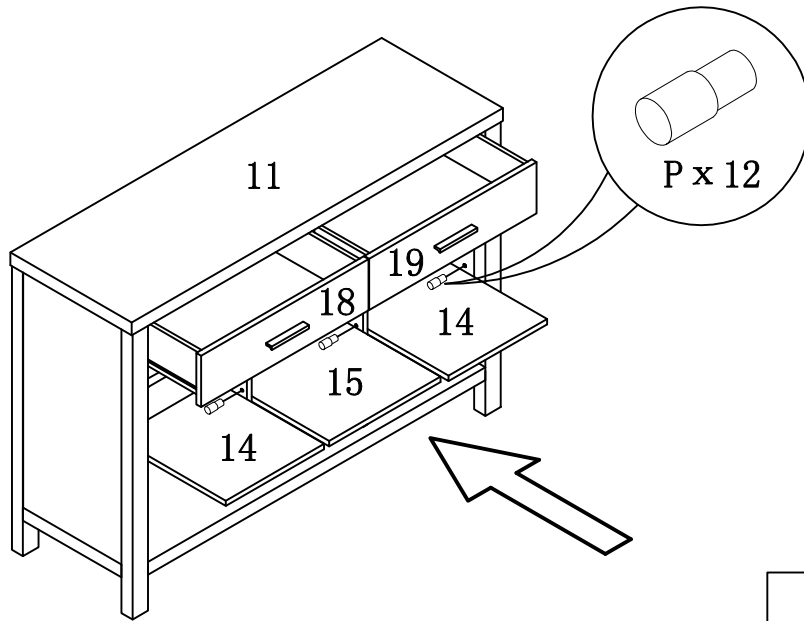
ITEM#: 11463 151199 161785 192429





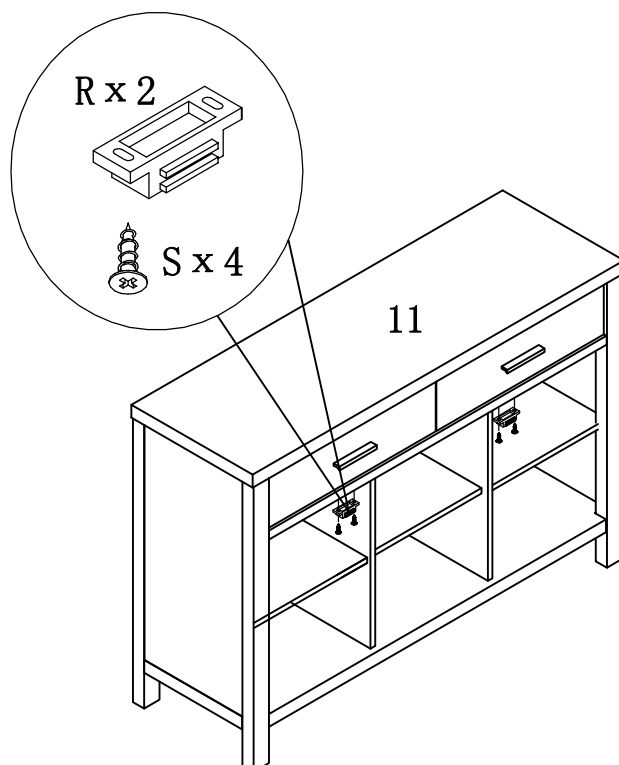
# ASSEMBLY INSTRUCTION

ITEM#: 11463 151199 161785 192429



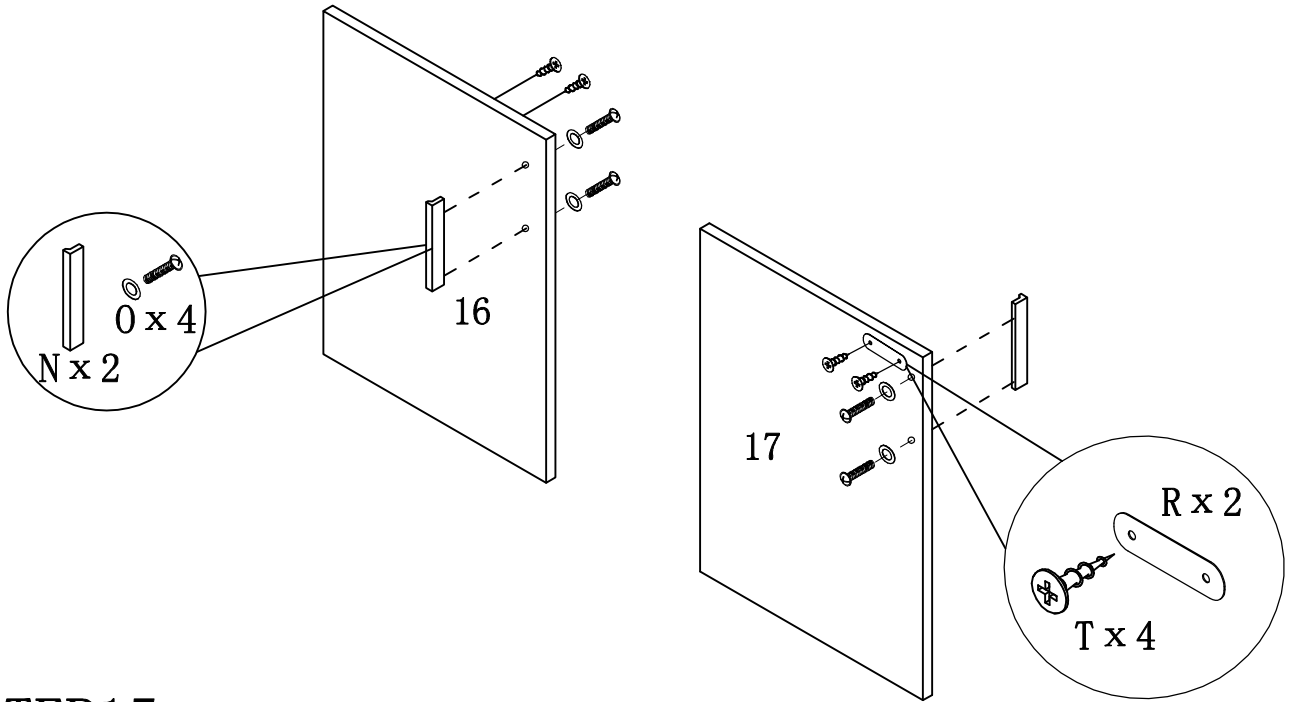
STEP13

STEP14



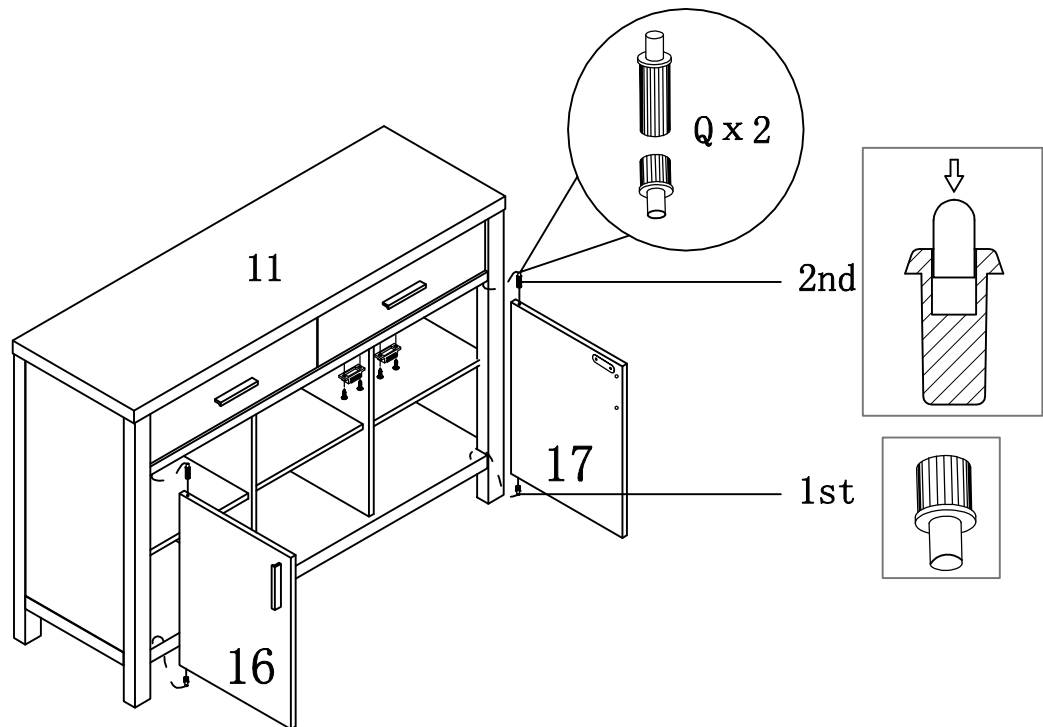
# ASSEMBLY INSTRUCTION

ITEM#: 11463 151199 161785 192429



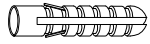
STEP15

STEP16

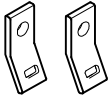


# ANTI-TIPPING STRAP INSTRUCTION

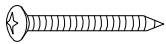
## HARDWARE (INCLUDED) :



DRYWALL ANCHOR  $\phi 8 \times 40$  X 1PC



METAL BRACKETS  $12 \times 12 \times 1$  X 2PCS



DRYWALL SCREW  $\phi 5 \times 40$  X 1PC

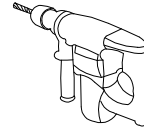


STRAP  $197 \times 5 \times 1$  X 1PC



FLATHEAD SCREW  $\phi 4 \times 25$  X 1PC

## TOOLS NEEDED ( NOT INCLUDED) :



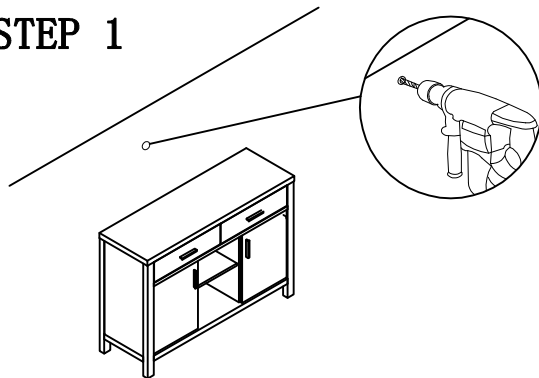
DRILL & DRILL BIT



LIGHT HAMMER

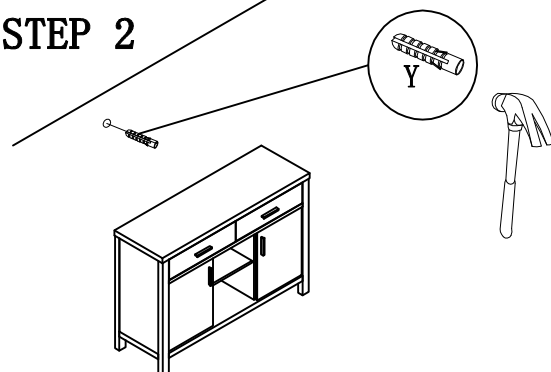
Note: Hardware included only compatible with standard drywalls.

### STEP 1



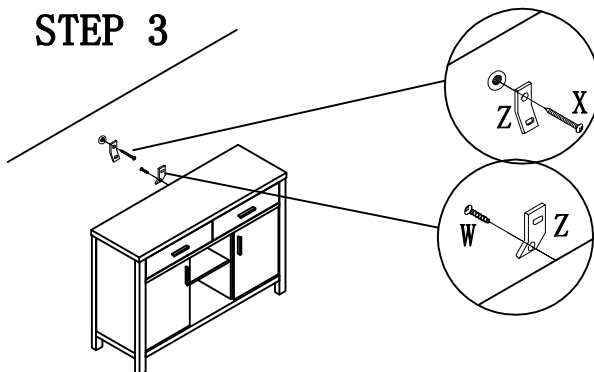
1. Find spot on wall 1" below top of item.
2. Using a drill bit slightly thinner than anchor, drill hole into drywall.

### STEP 2



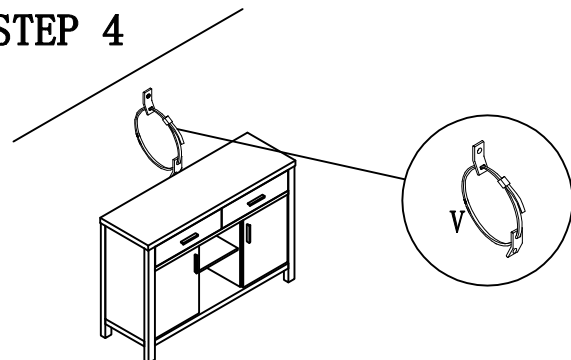
1. Use a light hammer to tap anchor into hole.
2. Anchor should fit snugly. If hole is too small, drill again to increase hole size. Do not force anchor into wall.

### STEP 3



1. Insert drywall screw into metal bracket and into drywall anchor.
2. Insert flathead screw into second metal bracket and into back of item along top edge.

### STEP 4



1. Insert strap thru bracket attached to wall, then thru bracket on item, and into head of strap.
  2. pull lightly til strap stops.
- Assembly is complete.