

# ASSEMBLY INSTRUCTION

---

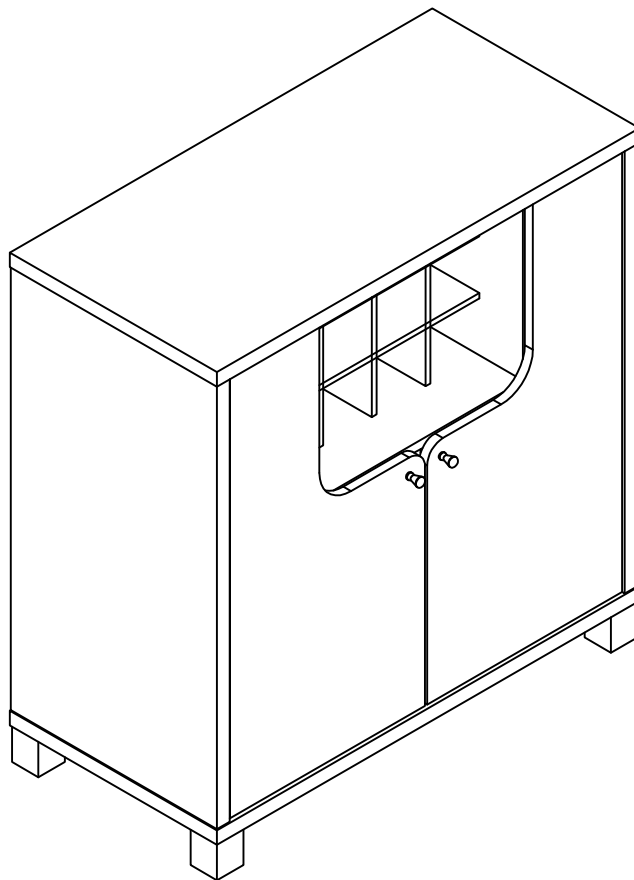
## PLEASE READ BEFORE ASSEMBLING!

Tip #1: Make sure you've taken all the pieces and hardware out of its packaging before discarding the box.

Tip #2: Using page 2 and/or page 3 of instruction manual make sure all pieces and hardware are accounted for.

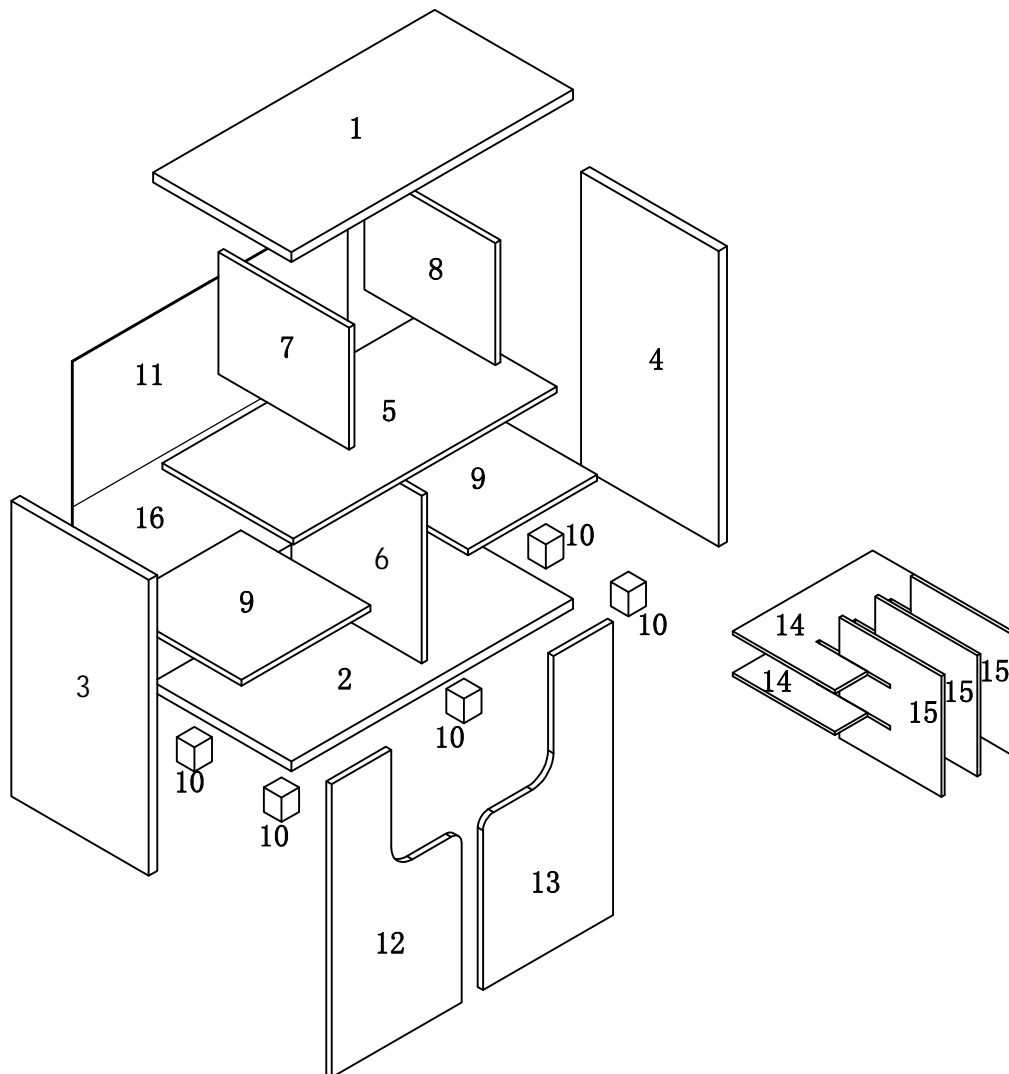
Tip #3: Read manual before assembling, it helps!

ITEM#: 13805



# PARTS IDENTIFICATION








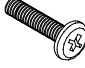




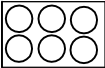



ITEM#: 13805



(1)	1pc	(7)	1pc	(13)	1pc
(2)	1pc	(8)	1pc	(14)	2pcs
(3)	1pc	(9)	2pcs	(15)	3pcs
(4)	1pc	(10)	5pcs		
(5)	1pc	(11)	1pc		
(6)	1pc	(12)	1pc		

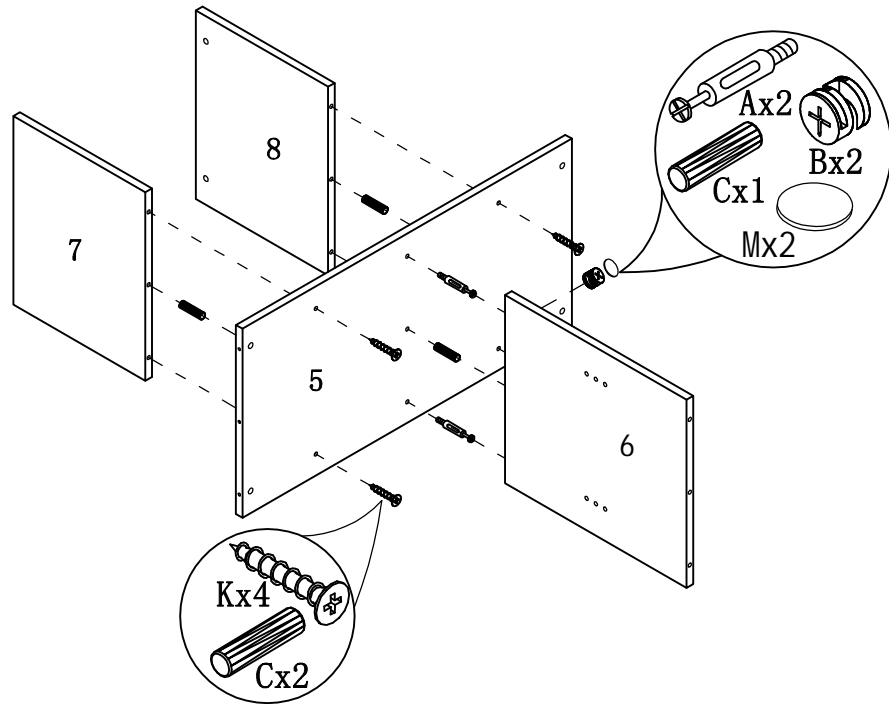
# HARDWARE IDENTIFICATION

ITEM#: 13805

A		L=29	14pcs
B		ø15	14pcs
C		ø8 x 25	17pcs
D		ø4x16	22pcs
E	 (BK)	ø8 x 25	2pcs
F			2pcs
G		ø4x22	2pcs
H		M6x50	5pcs
I		ø5	8pcs
J		ø7x48	4pcs
K		ø4x40	6pcs
L		301C	4pcs
M		ø20	10pcs
N		Z1016	30pcs
O		L340	2pcs
P		Glue: For securing please apply to wood dowel first before inserting into panel	1pc

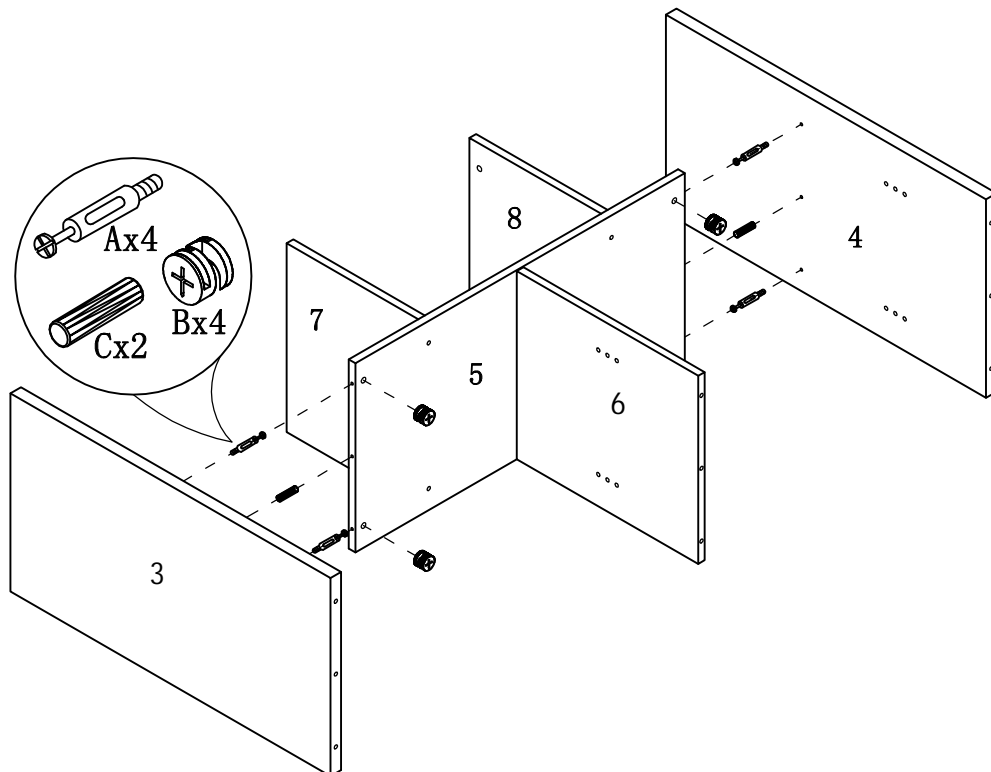
# ASSEMBLY INSTRUCTION

ITEM#: 13805



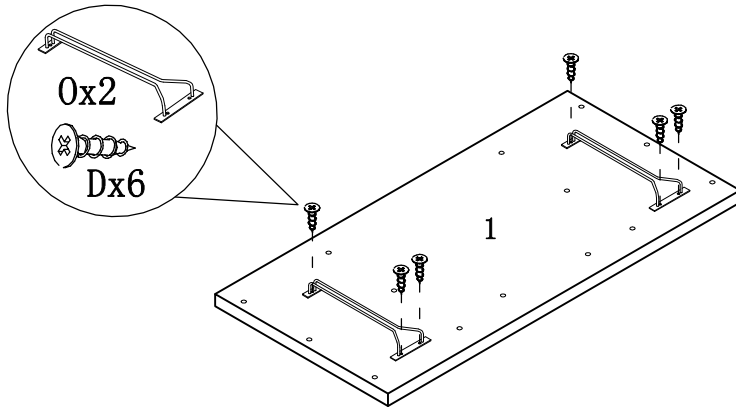
STEP 1

STEP 2



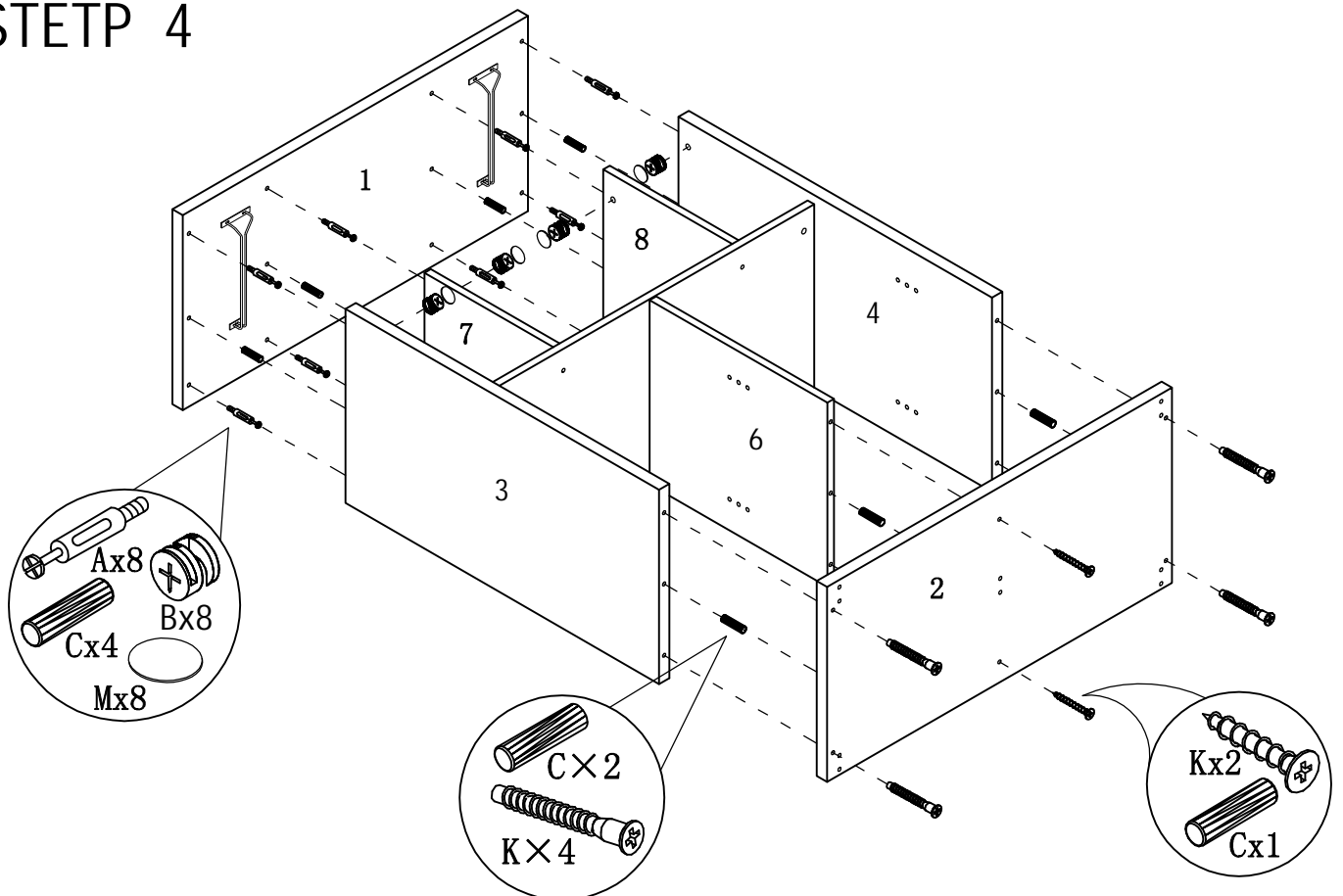
# ASSEMBLY INSTRUCTION

ITEM#: 13805



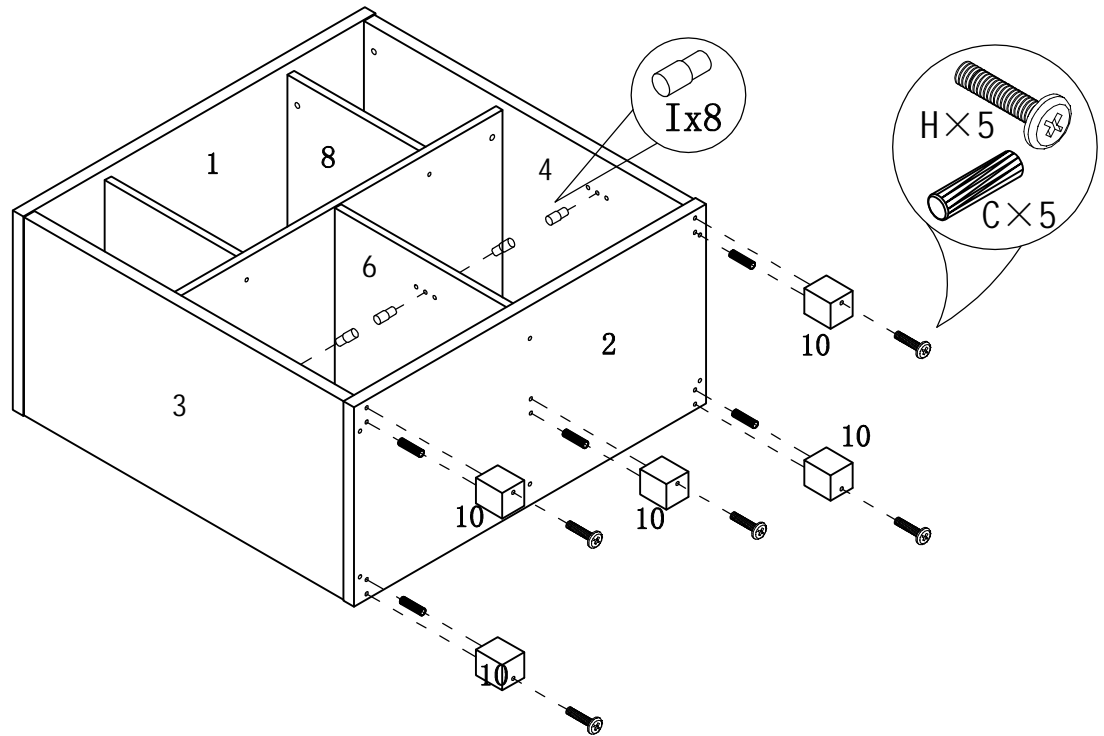
STETP 3

STETP 4



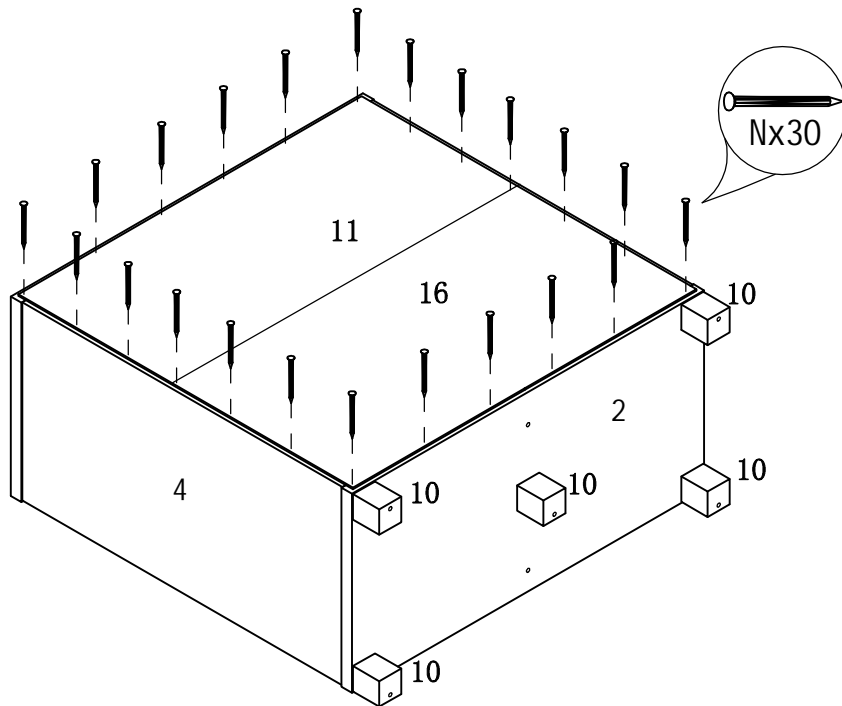
# ASSEMBLY INSTRUCTION

ITEM#: 13805



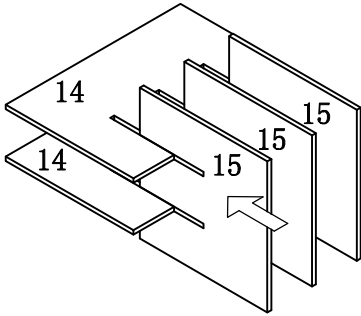
STEP 5

STEP 6



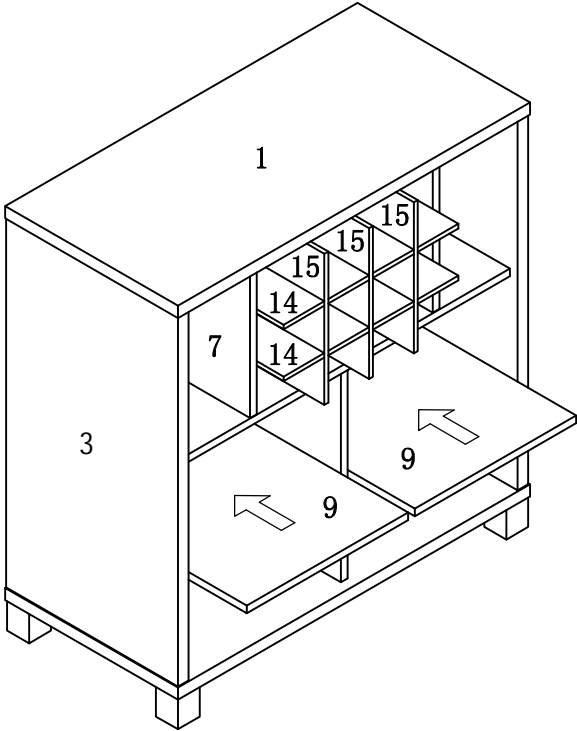
# ASSEMBLY INSTRUCTION

ITEM#: 13805



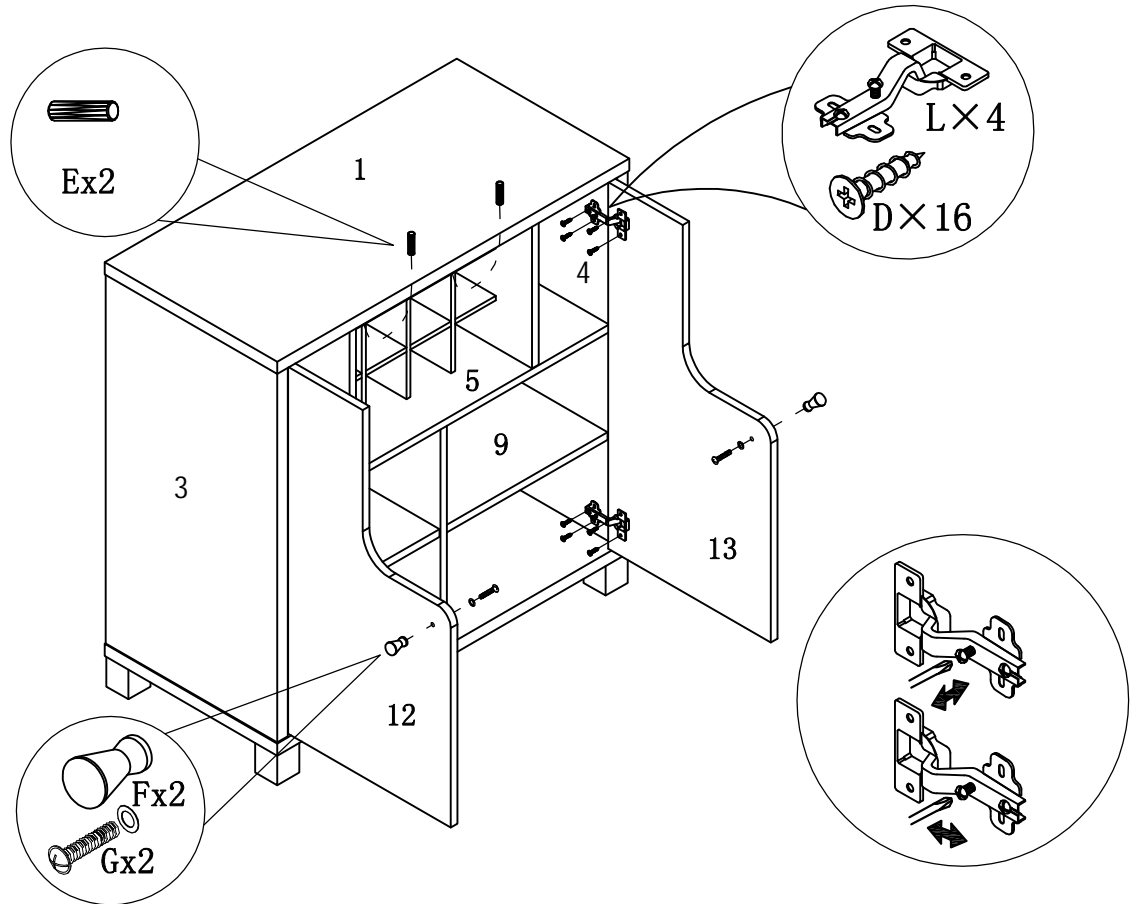
STEP 7

STEP 8



# ASSEMBLY INSTRUCTION

ITEM#: 13805



STEP 9

STEP 10

