

ASSEMBLY INSTRUCTION

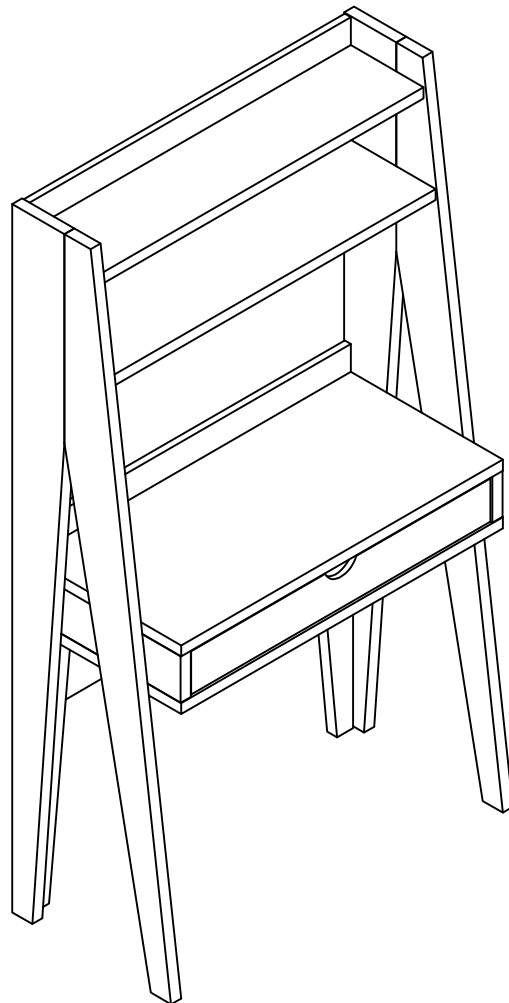
PLEASE READ BEFORE ASSEMBLING!

Tip #1: Make sure you've taken all the pieces and hardware out of its packaging before discarding the box.

Tip #2: Using page 2 and/or page 3 of instruction manual make sure all pieces and hardware are accounted for.

Tip #3: Read manual before assembling, it helps!

ITEM#: 151288 192488 151267

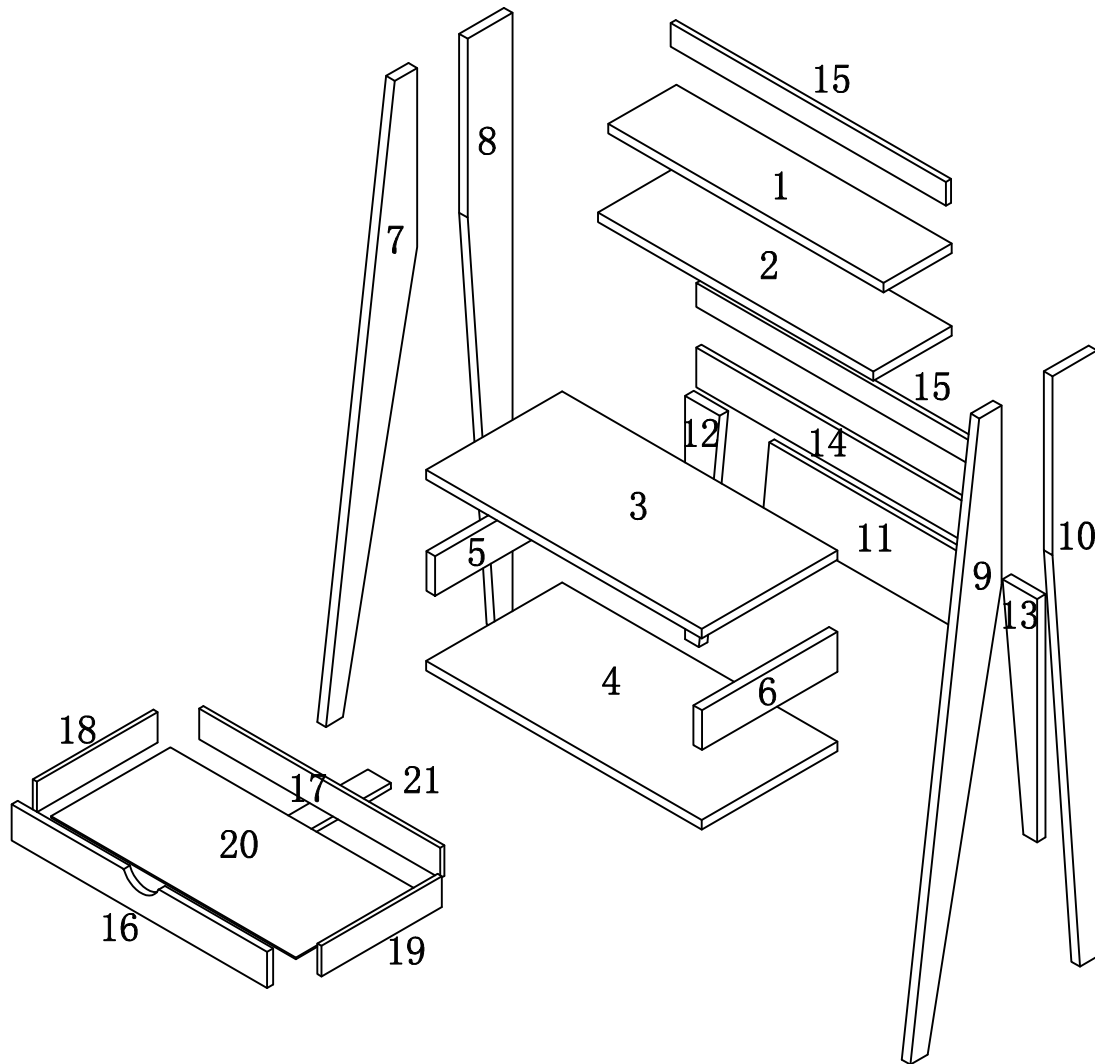


Need some help?
Scan here for
assembly video.



PARTS IDENTIFICATION

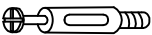


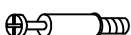





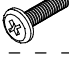




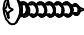
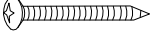
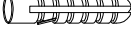


ITEM#: 151288 192488 151267



(1)	1pc	(9)	1pc	(17)	1pc
(2)	1pc	(10)	1pc	(18)	1pc
(3)	1pc	(11)	1pc	(19)	1pc
(4)	1pc	(12)	1pc	(20)	1pc
(5)	1pc	(13)	1pc	(21)	1pc
(6)	1pc	(14)	1pc		
(7)	1pc	(15)	2pcs		
(8)	1pc	(16)	1pc		

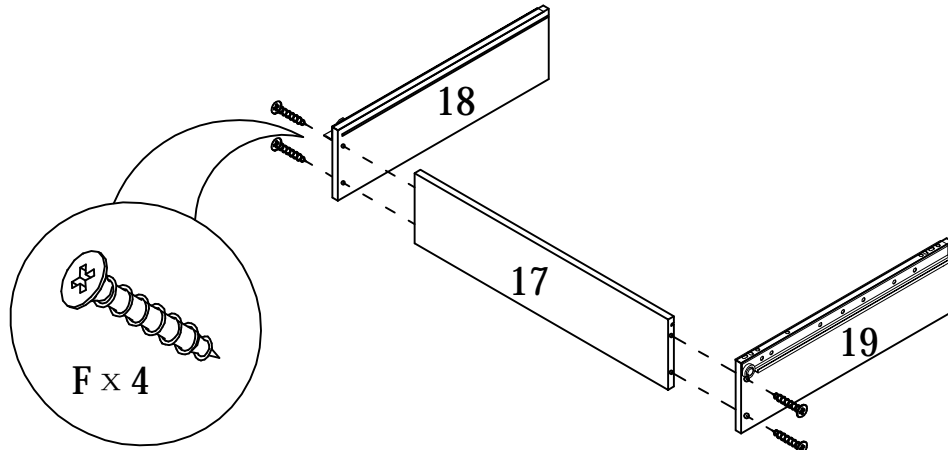
HARDWARE IDENTIFICATION

ITEM#: 151288 192488 151267

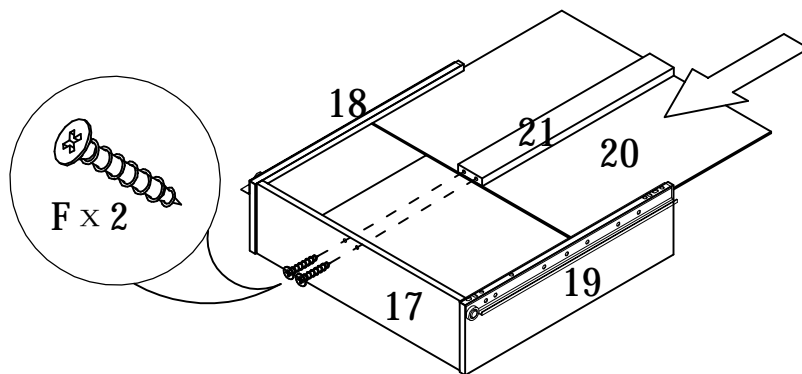
A		L=29	38pcs
B		φ15	38pcs
C		φ8x25	30pcs
D		L20	4pcs
E		φ 12	4pcs
F		φ4x30	6pcs
G		φ4x40	6pcs
H		φ7x48	4pcs
I		φ6x30	2pcs
J		M6x30	4pcs
K		φ22 (WH3)	10pcs
L		φ22 (WW)	4pcs
M		φ16	4pcs
N		197×5×1	1pc
O		ø4 x 25	1pc
P		ø5 x 40	1pc
Q		ø8 x 40	1pc
R		12×12×1	2pcs
S		Glue: For securing please apply to wood dowel first before inserting into panel	1pc

ASSEMBLY INSTRUCTION

ITEM#: 151288 192488 151267

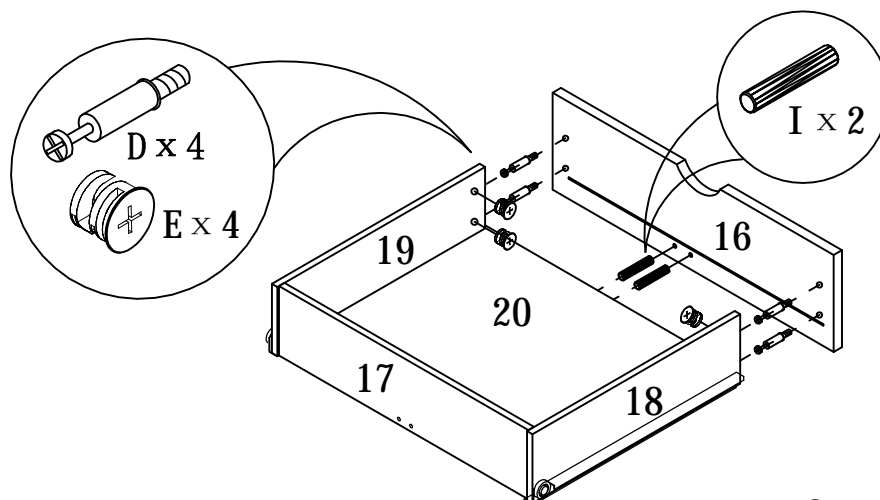


STEP 1



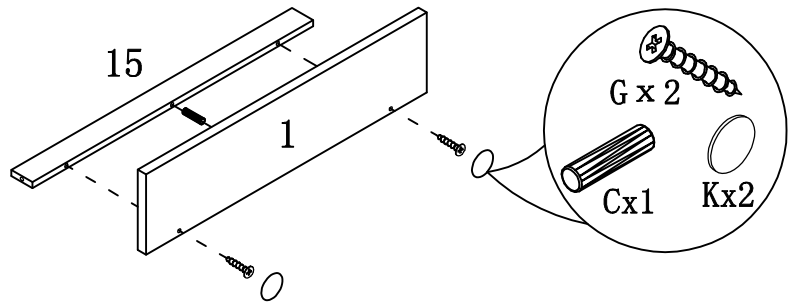
STEP 2

STEP 3



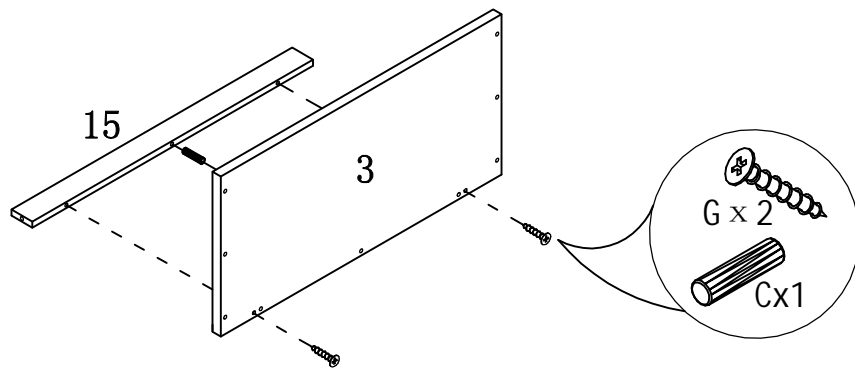
ASSEMBLY INSTRUCTION

ITEM#: 151288 192488 151267

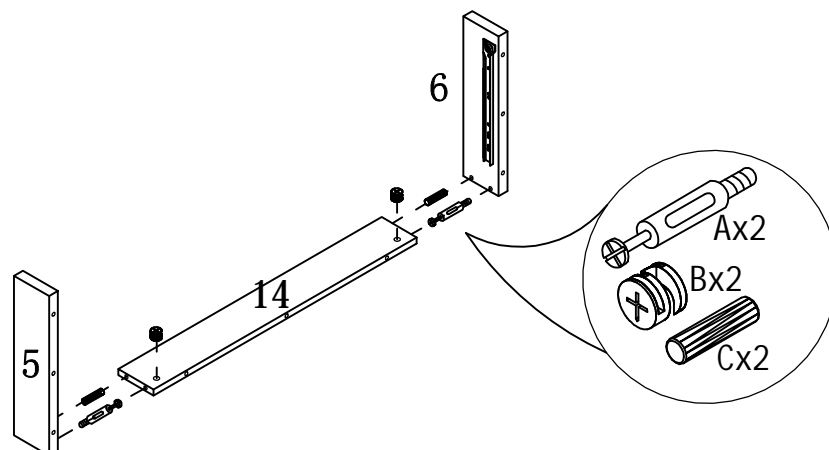


STEP 4

STEP 5

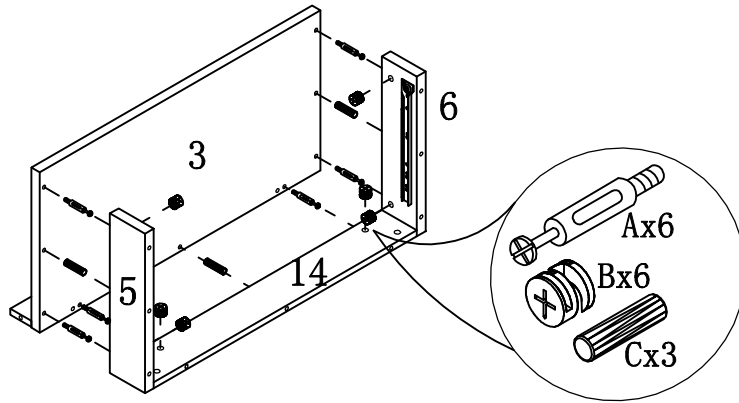


STEP 6

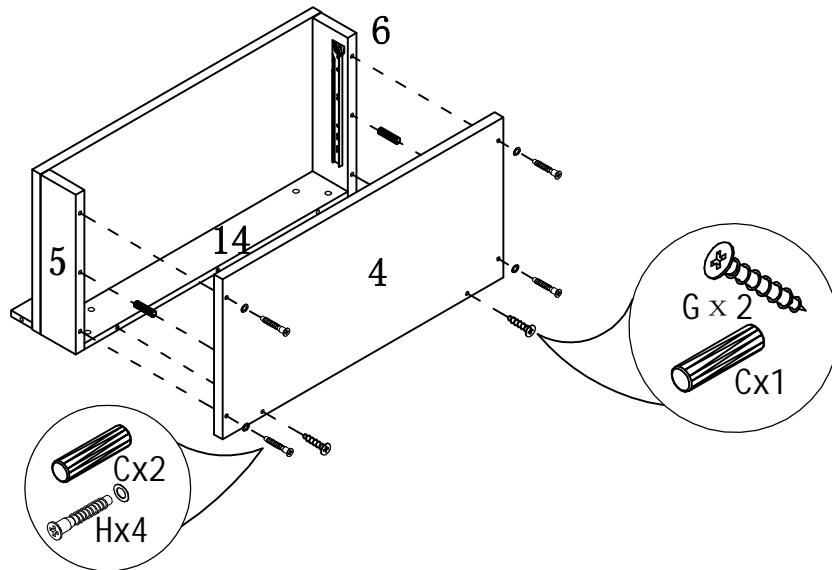


ASSEMBLY INSTRUCTION

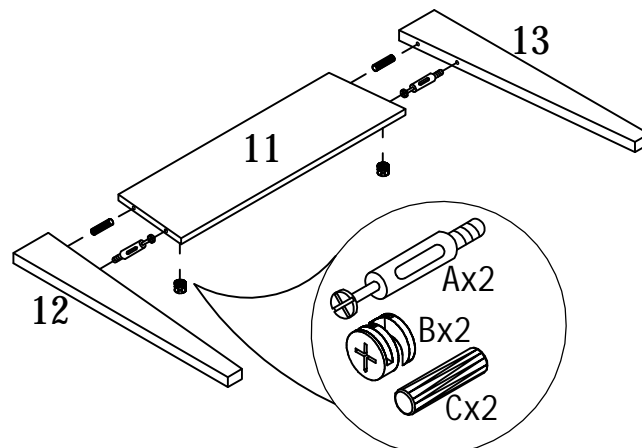
ITEM#: 151288 192488 151267



STEP 7



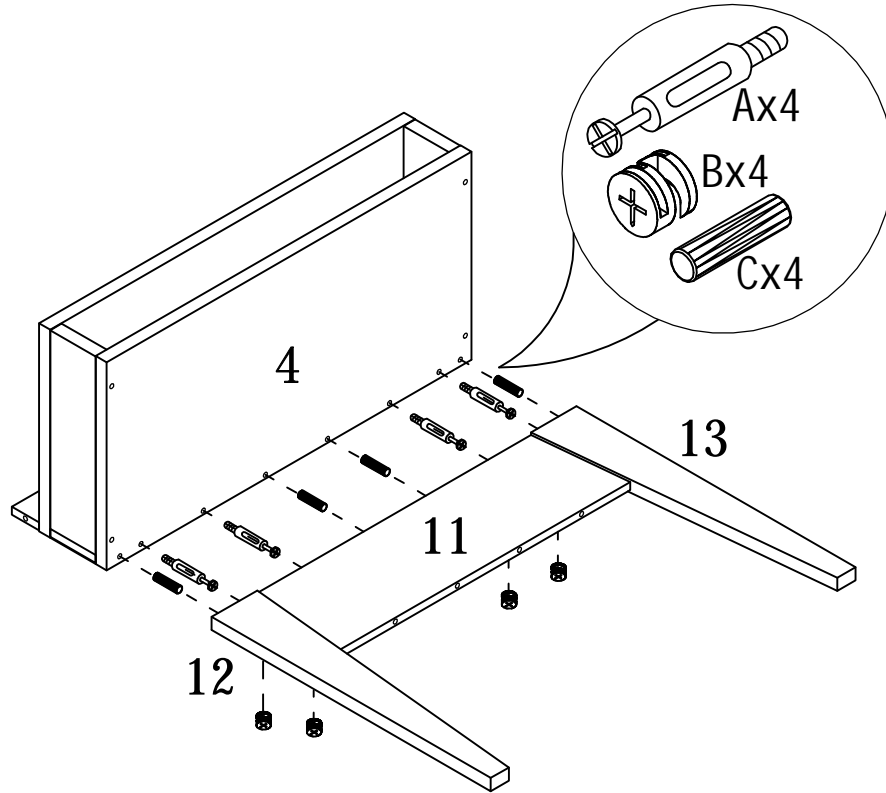
STEP 8



STEP 9

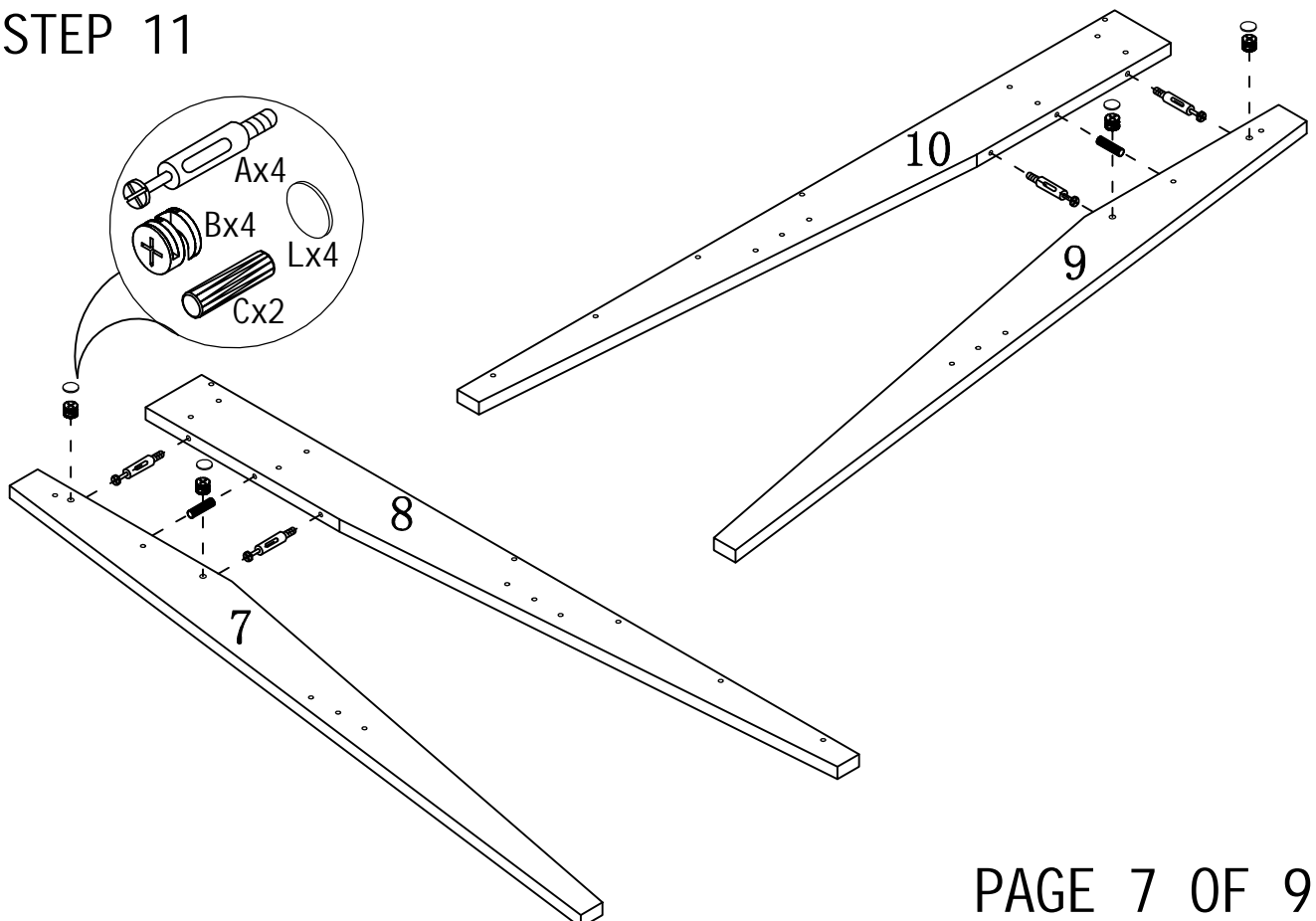
ASSEMBLY INSTRUCTION

ITEM#: 151288 192488 151267



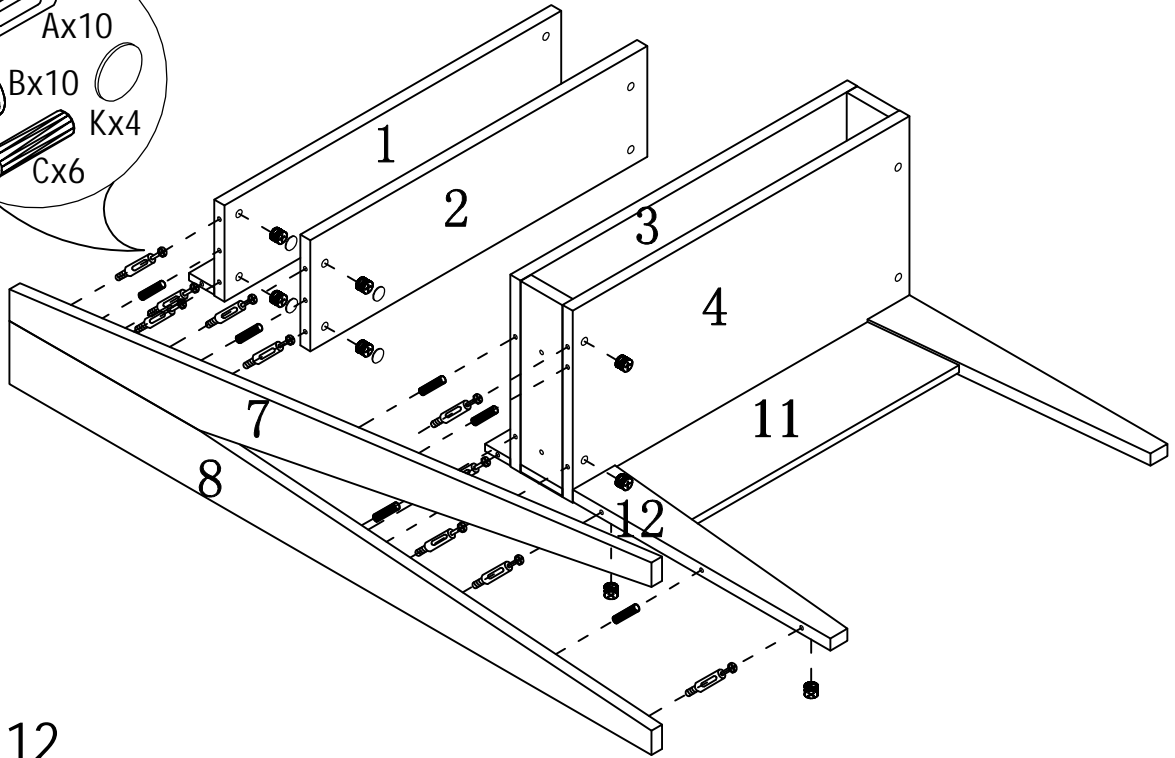
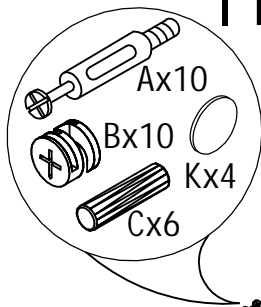
STEP 10

STEP 11



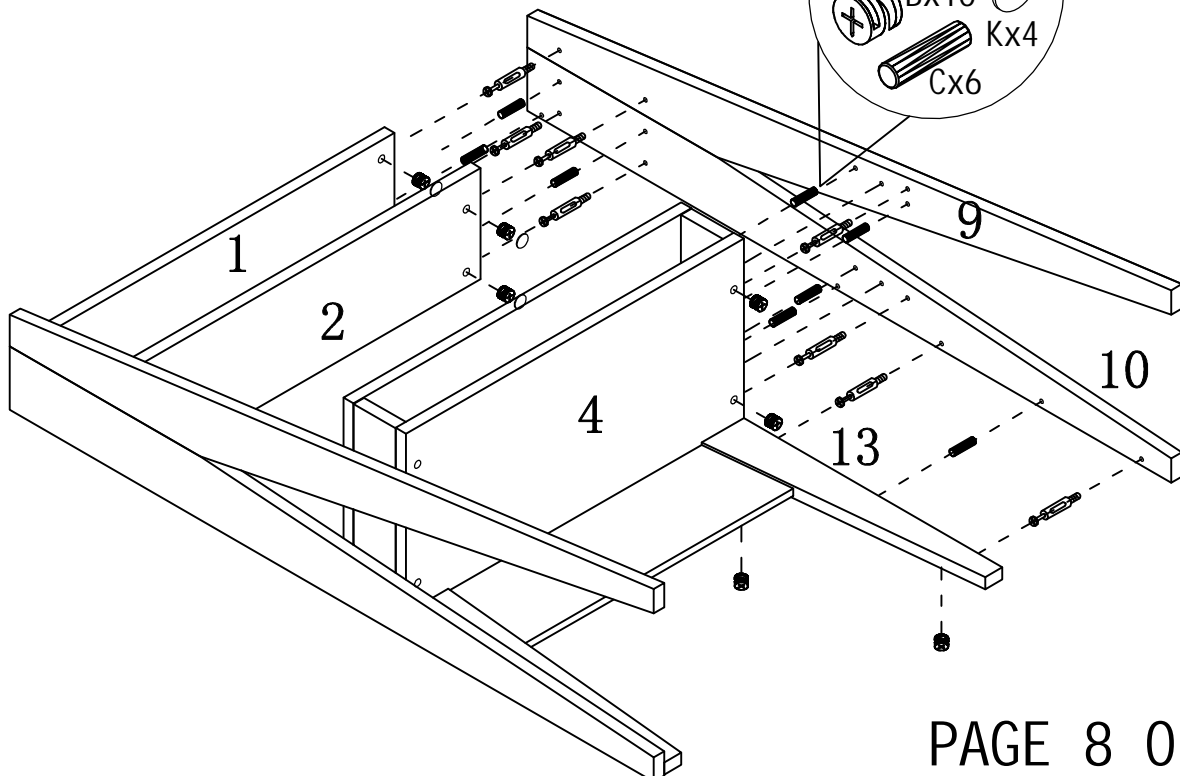
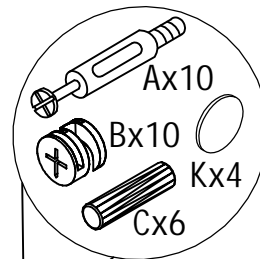
ASSEMBLY INSTRUCTION

ITEM#: 151288 192488 151267



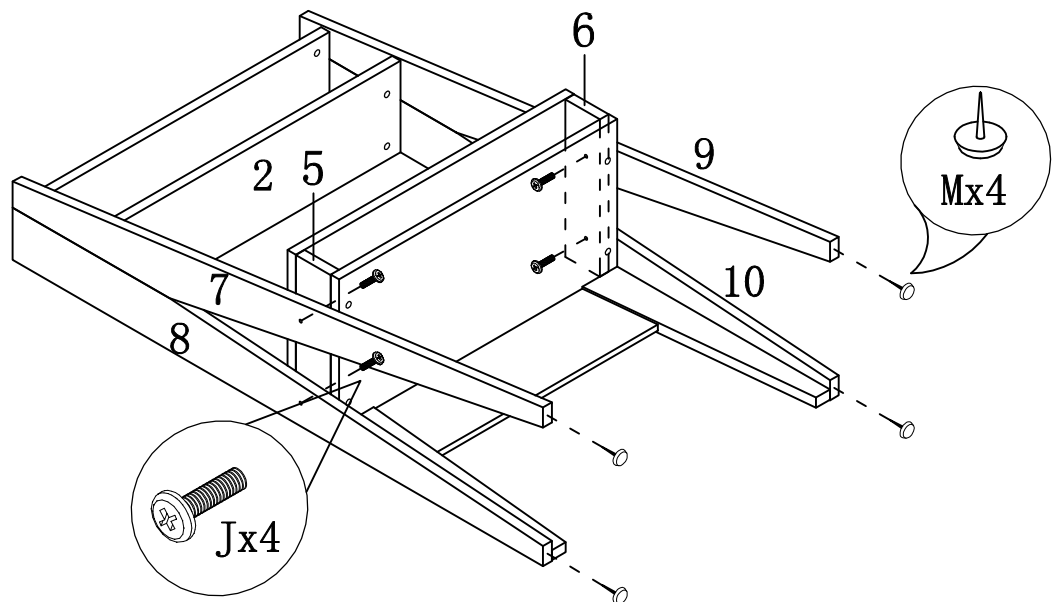
STEP 12

STEP 13



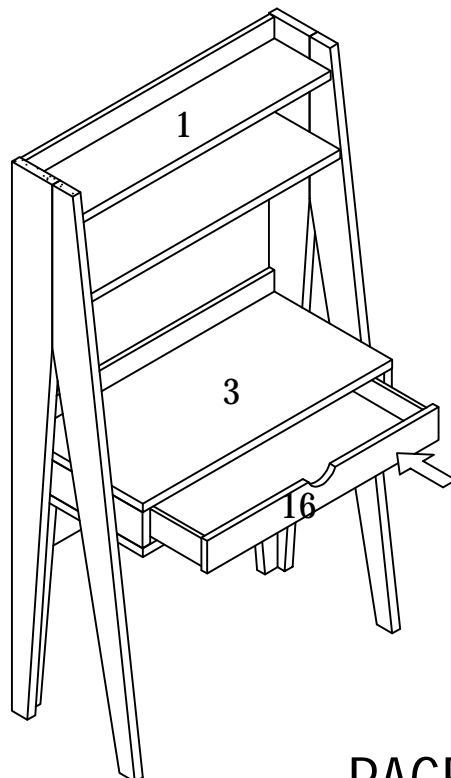
ASSEMBLY INSTRUCTION

ITEM#: 151288 192488 151267



STEP 14

STEP 15



ANTI-TIPPING STRAP INSTRUCTION

HARDWARE (INCLUDED):

 DRYWALL ANCHOR $\phi 8 \times 40$ X 1PC

 METAL BRACKETS $12 \times 12 \times 1$ X 2PCS


 DRYWALL SCREW $\phi 5 \times 40$ X 1PC

 STRAP $197 \times 5 \times 1$ X 1PC

 FLATHEAD SCREW $\phi 4 \times 25$ X 1PC

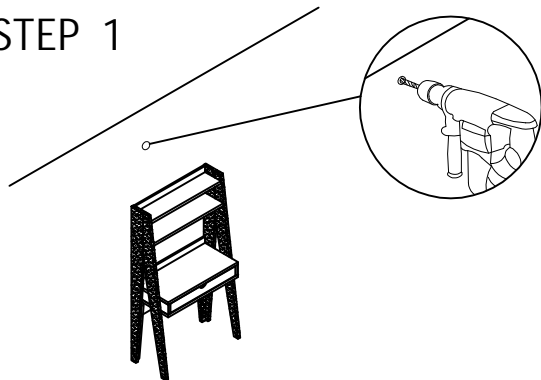
TOOLS NEEDED (NOT INCLUDED):

 DRILL & DRILL BIT

 LIGHT HAMMER

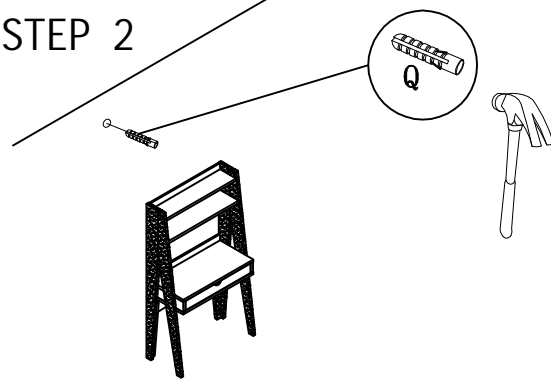
Note: Hardware included only compatible with standard drywalls.

STEP 1



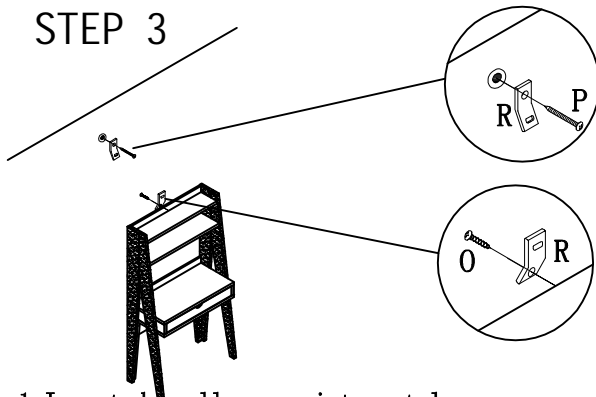
1. Find spot on wall 1" below top of item.
2. Using a drill bit slightly thinner than anchor, drill hole into drywall.

STEP 2



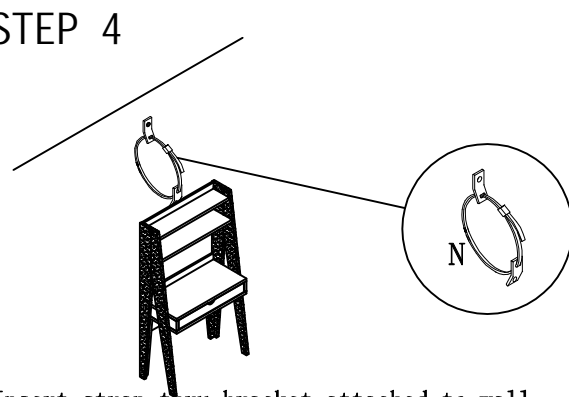
1. Use a light hammer to tap anchor into hole.
2. Anchor should fit snugly. If hole is too small, drill again to increase hole size. Do not force anchor into wall.

STEP 3



1. Insert drywall screw into metal bracket and into drywall anchor.
2. Insert flathead screw into second metal bracket and into back of item along top edge.

STEP 4



1. Insert strap thru bracket attached to wall, then thru bracket on item, and into head of strap.
 2. pull lightly til strap stops.
- Assembly is complete.