

ASSEMBLY INSTRUCTION

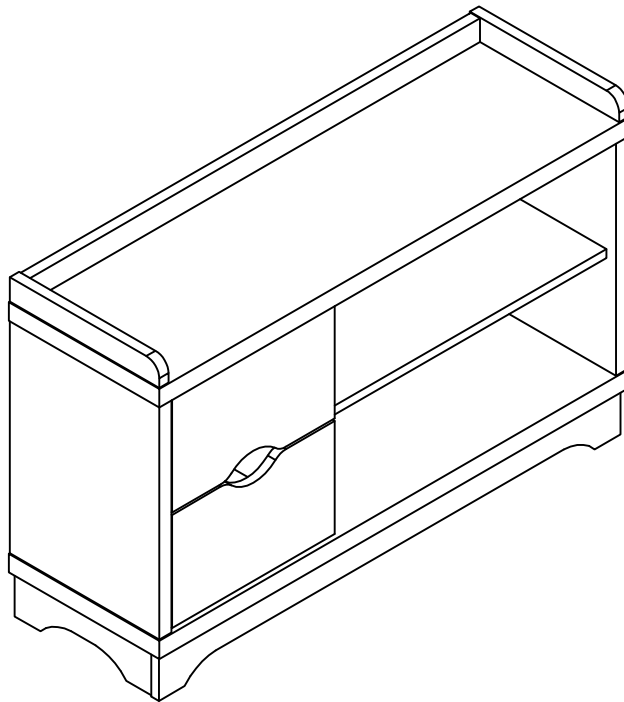
PLEASE READ BEFORE ASSEMBLING!

Tip #1: Make sure you've taken all the pieces and hardware out of its packaging before discarding the box. Assembly on top of flattened box/blanket is recommended.

Tip #2: Using page 2 and/or page 3 of instruction manual make sure all pieces and hardware are accounted for.

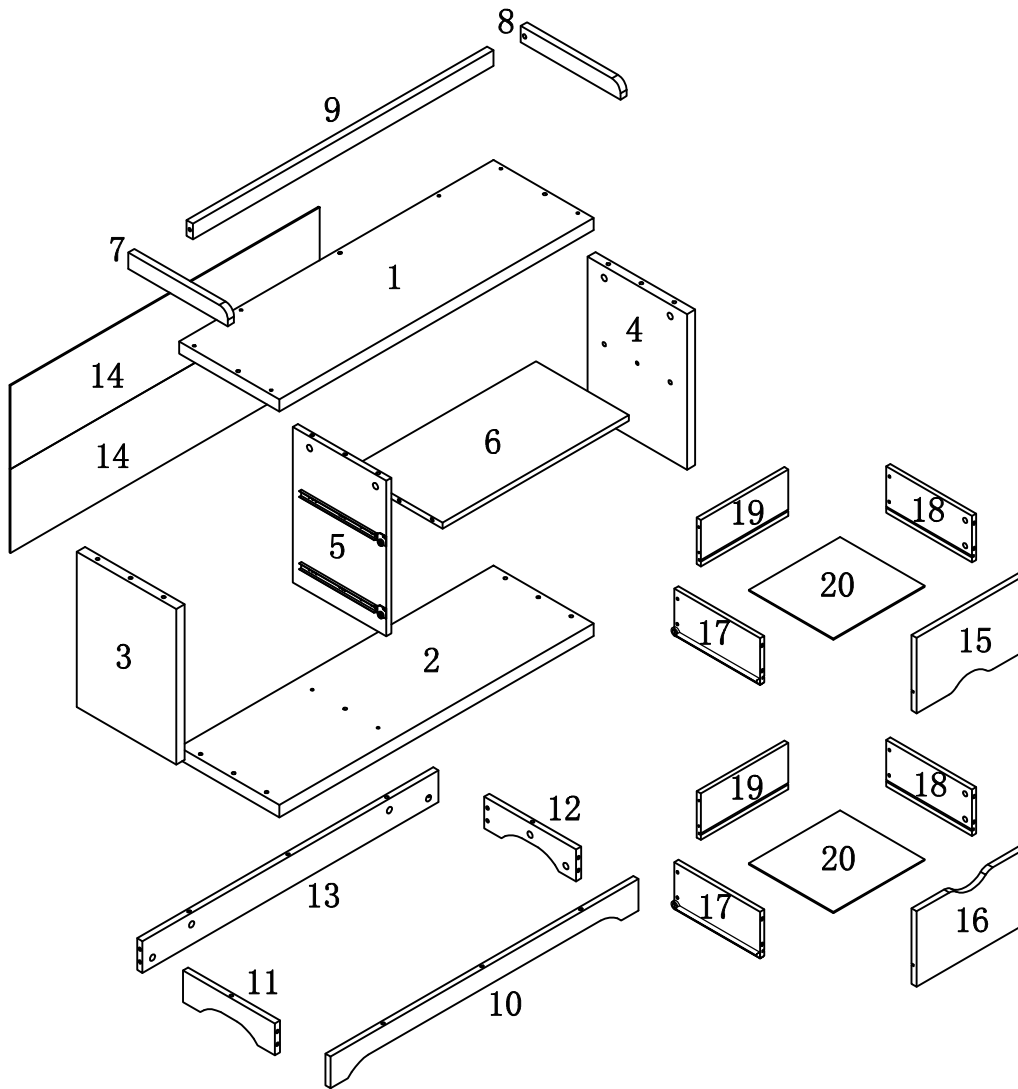
Tip #3: Note position of all holes on each panel during assembly.

ITEM#: 161735



PARTS IDENTIFICATION



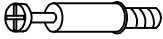


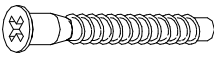

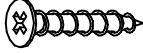
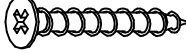

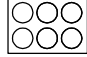


ITEM#: 161735



(1)	1pc	(8)	1pc	(15)	1pc
(2)	1pc	(9)	1pc	(16)	1pc
(3)	1pc	(10)	1pc	(17)	2pcs
(4)	1pc	(11)	1pc	(18)	2pcs
(5)	1pc	(12)	1pc	(19)	2pcs
(6)	1pc	(13)	1pc	(20)	2pcs
(7)	1pc	(14)	2pcs		

HARDWARE IDENTIFICATION

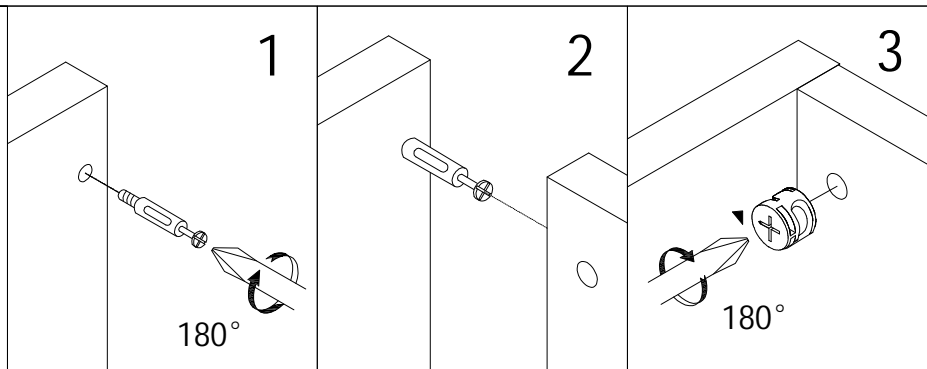
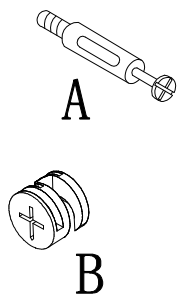
ITEM#: 161735

A		L29	22pcs
B		ø15	22pcs
C		L20	8pcs
D		ø12	8pcs
E		ø8 × 25	17pcs
F		ø7x48	4pcs
G		ø8xø16x2	4pcs
H		ø4 x 30	8pcs
I		ø4 x 40	8pcs
J		Z1016	22pcs
K		ø20	6pcs
L		ø16	5pcs
M		Glue: For securing please apply to wood dowel first before inserting into panel	1pc

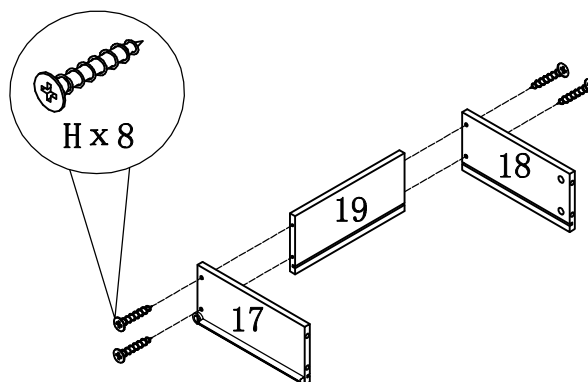
ASSEMBLY INSTRUCTION

ITEM#: 161735

HOW TO

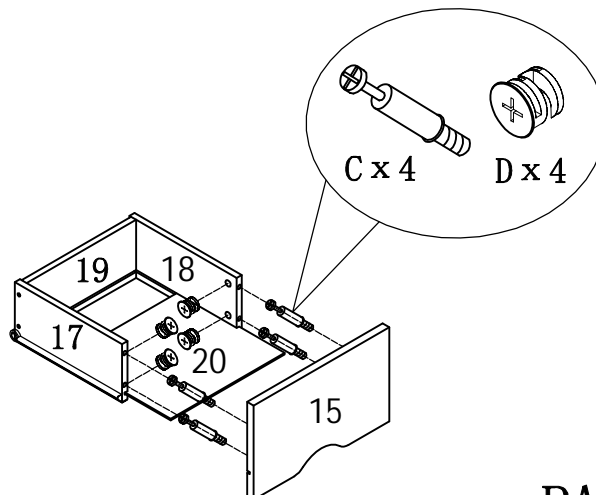


x 2



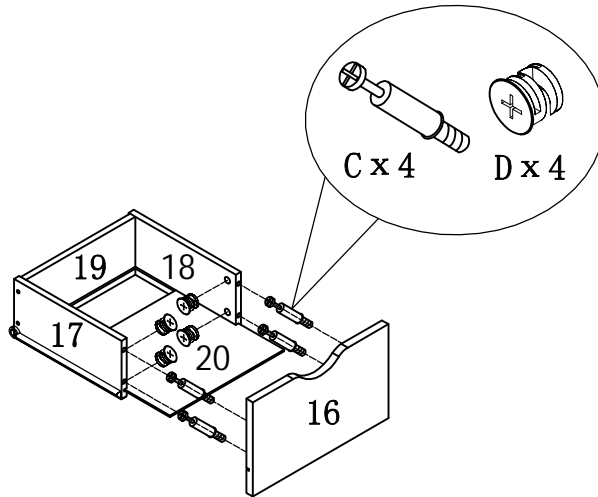
STEP 1

STEP 2



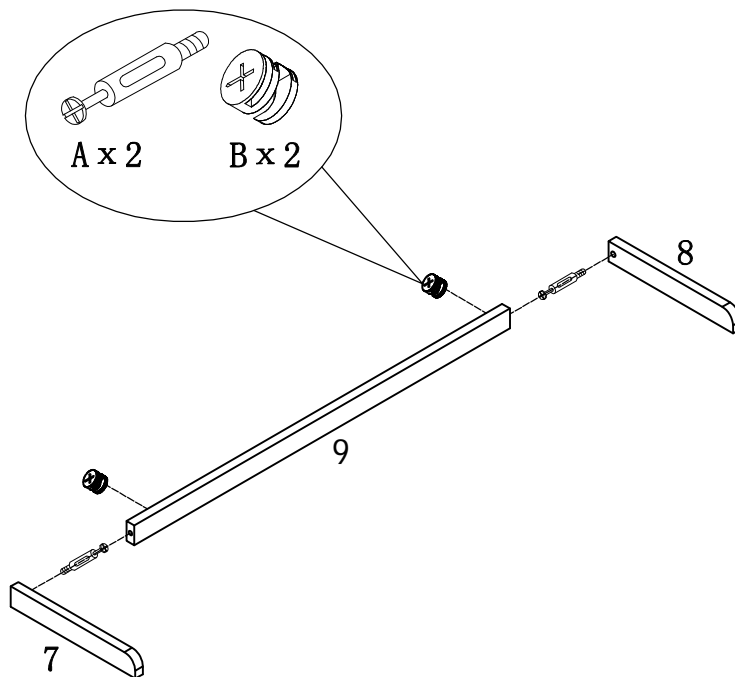
ASSEMBLY INSTRUCTION

ITEM#: 161735



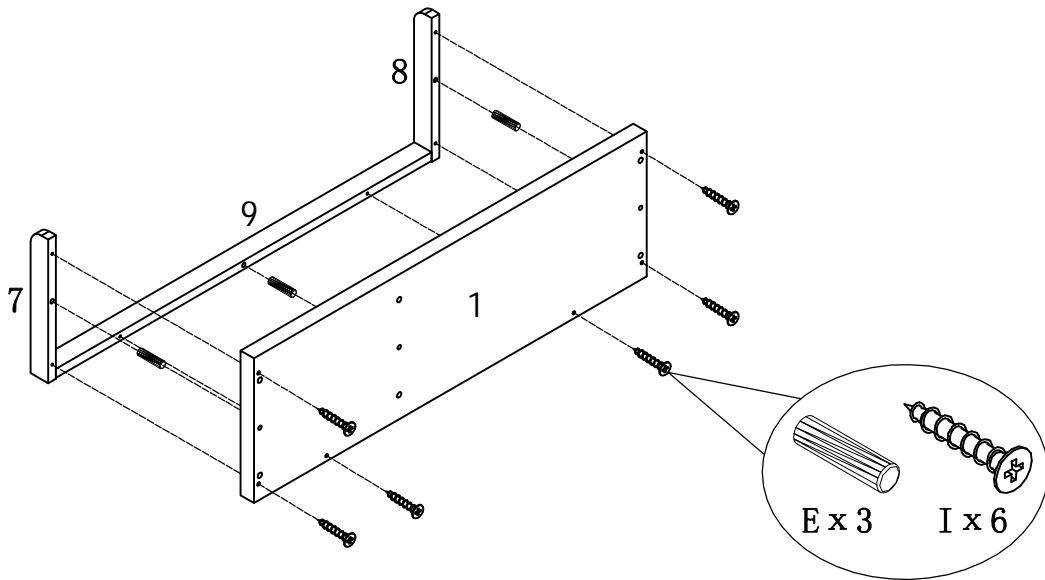
STEP3

STEP4



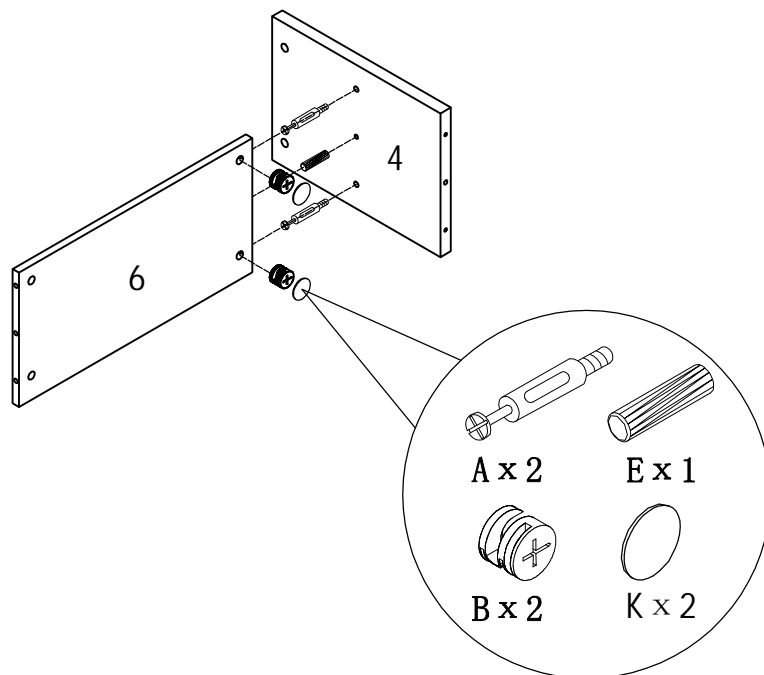
ASSEMBLY INSTRUCTION

ITEM#: 161735



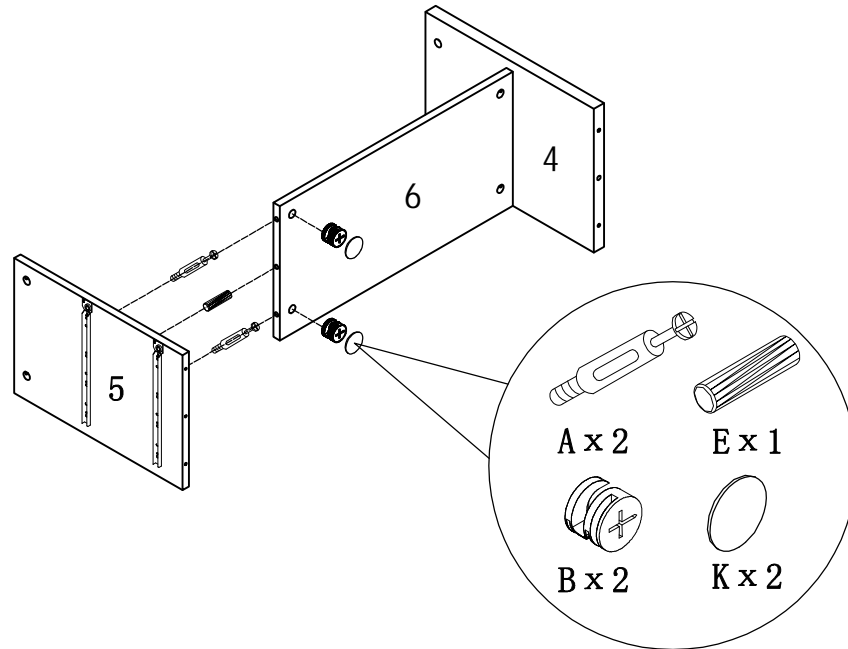
STEP5

STEP6



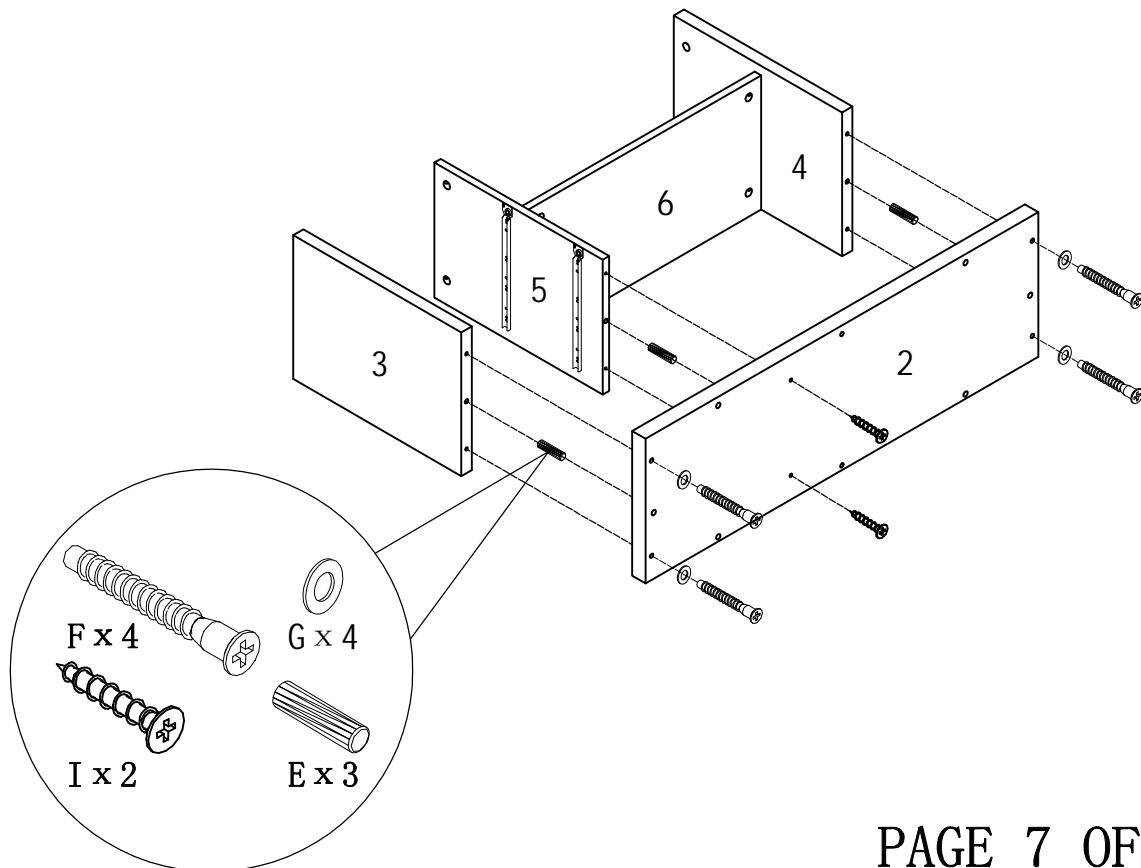
ASSEMBLY INSTRUCTION

ITEM#: 161735



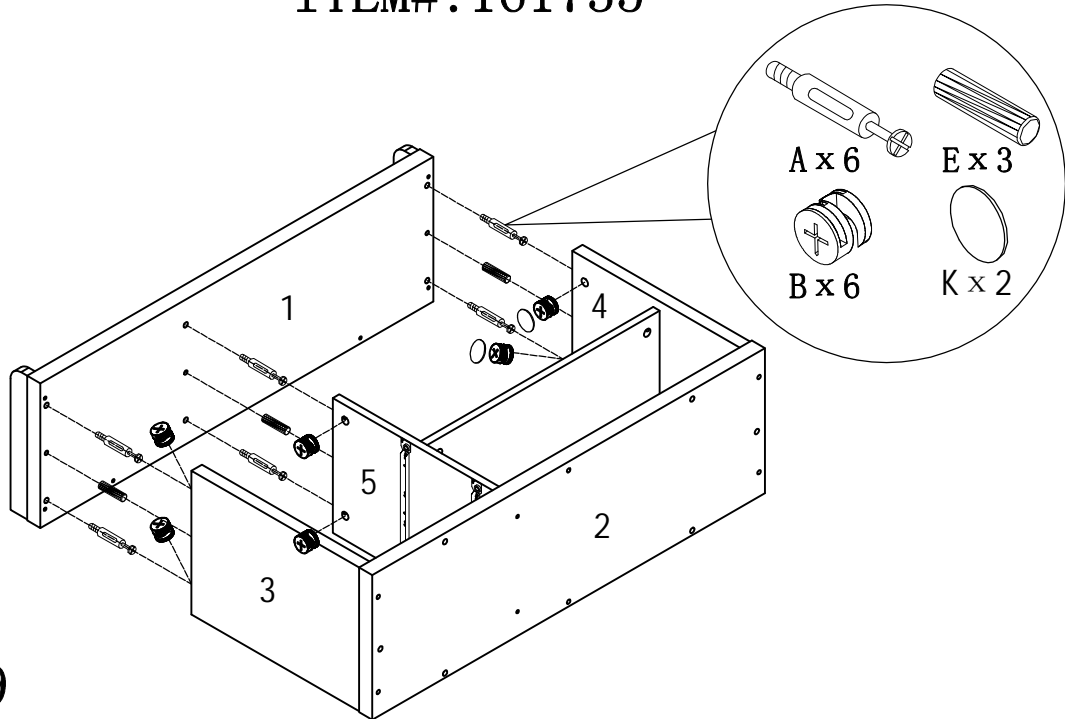
STEP 7

STEP 8



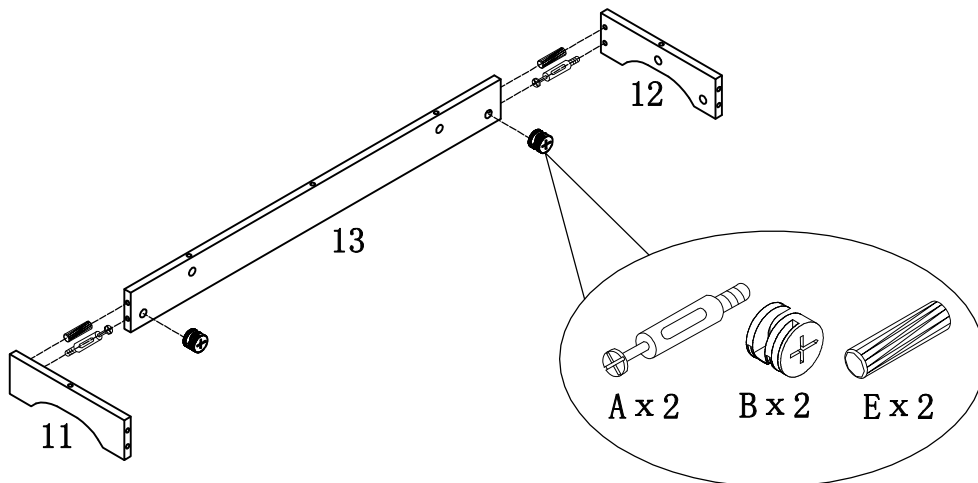
ASSEMBLY INSTRUCTION

ITEM#: 161735



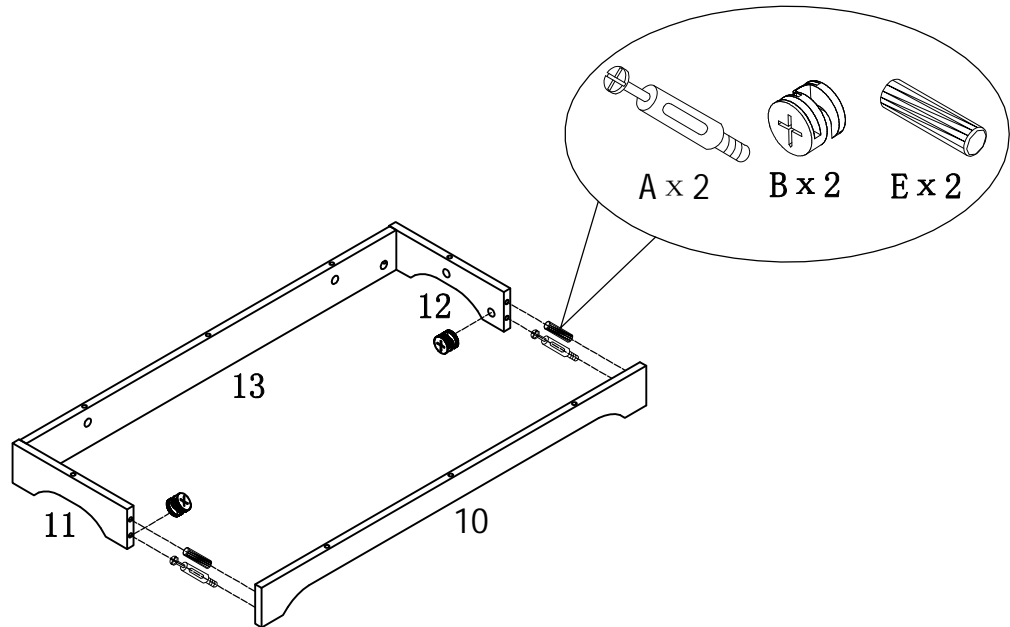
STEP9

STEP10



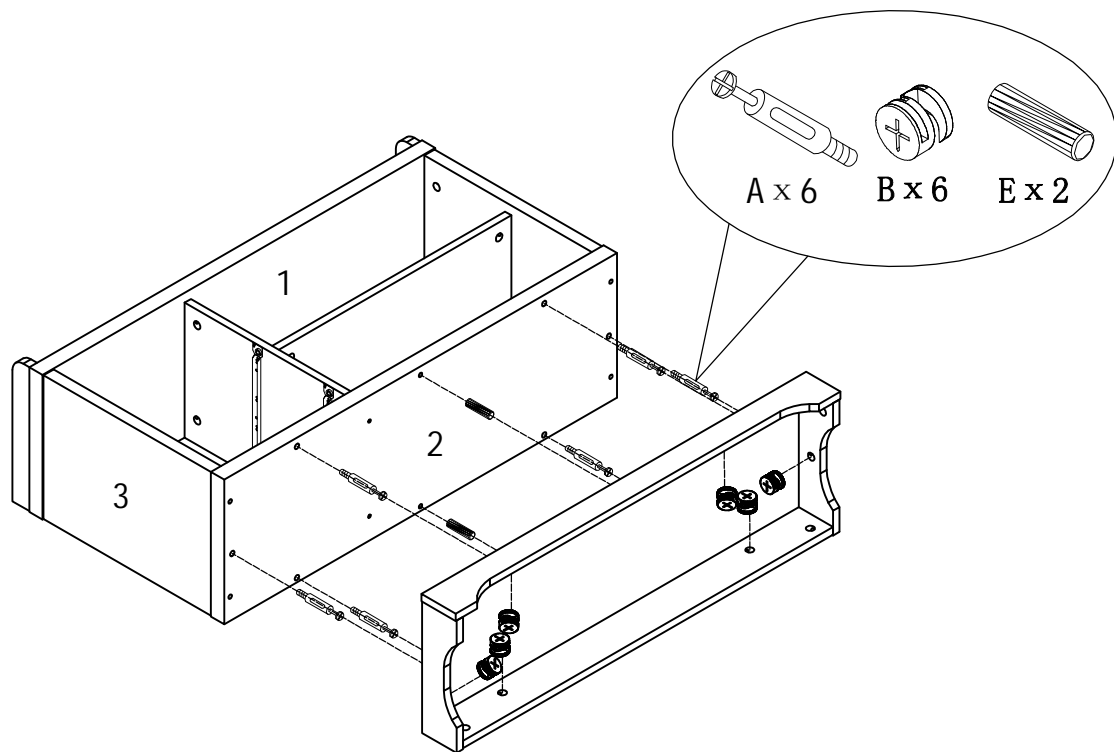
ASSEMBLY INSTRUCTION

ITEM#: 161735



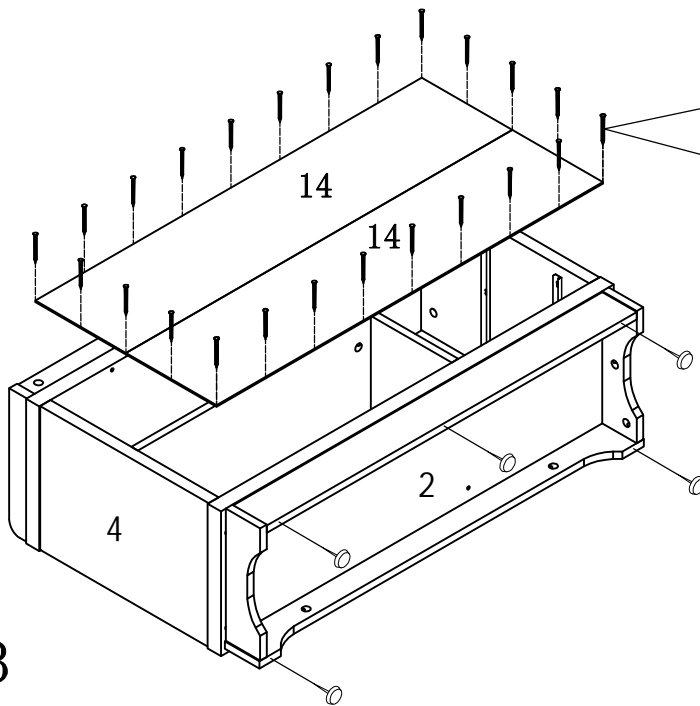
STEP 11

STEP 12



ASSEMBLY INSTRUCTION

ITEM#: 161735



STEP13

STEP14

