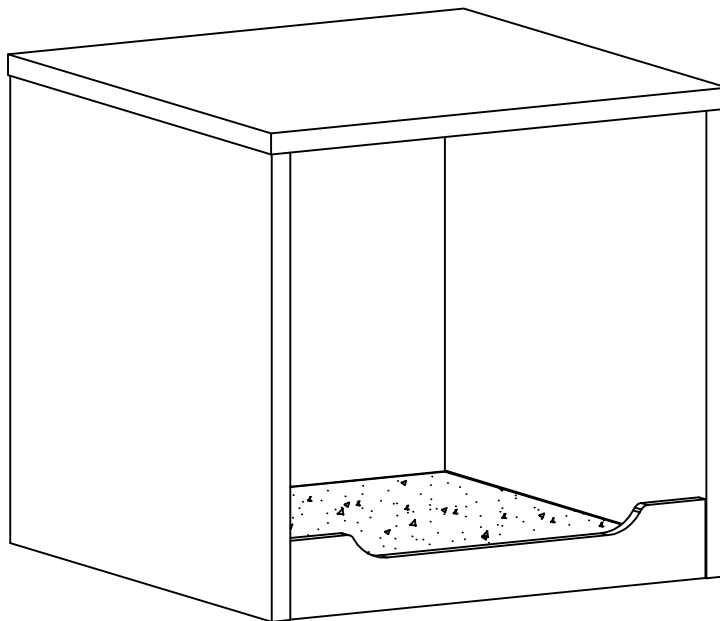


ASSEMBLY INSTRUCTION

ITEM#:161867/171913



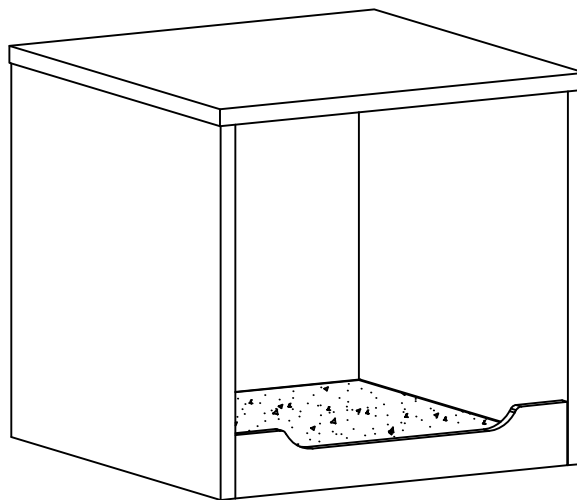
ASSEMBLY INSTRUCTION

PLEASE READ BEFORE ASSEMBLING!

Tip #1: Make sure you've taken all the pieces and hardware out of its packaging before discarding the box.

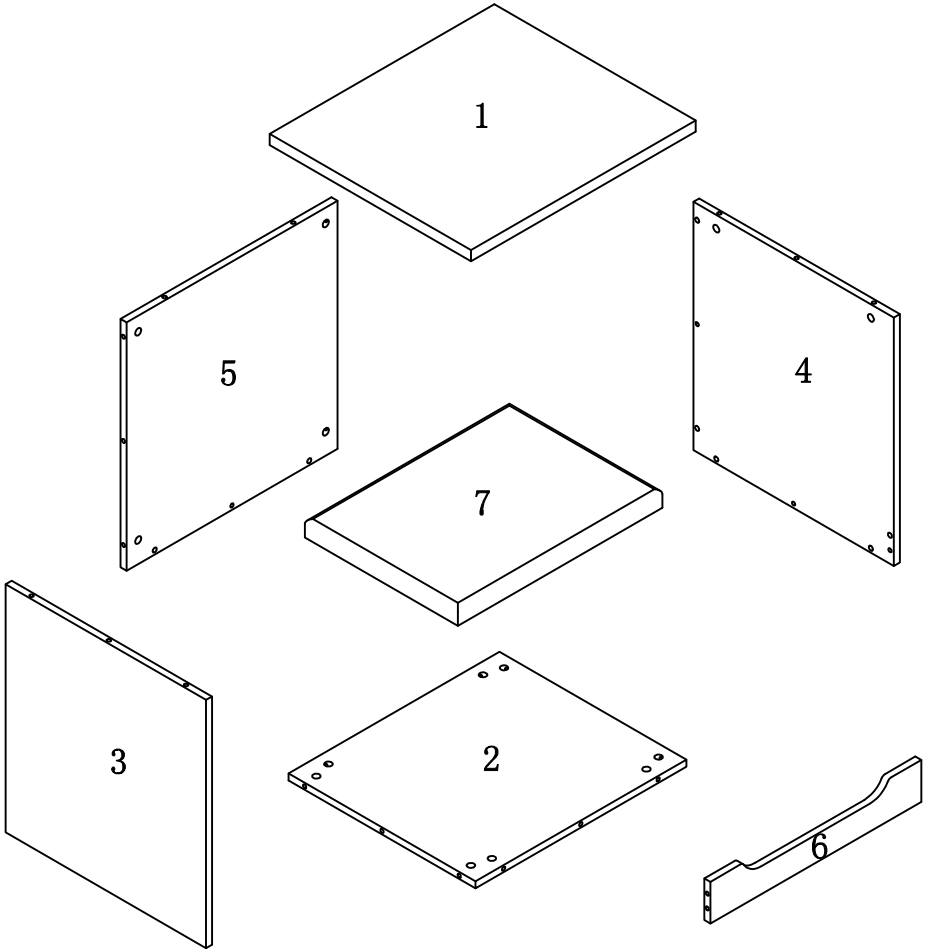
Tip #2: Using page 2 and/or page 3 of instruction manual make sure all pieces and hardware are accounted for.

ITEM#:161867/171913



PARTS IDENTIFICATION





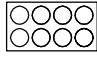

ITEM#:161867/171913



- (1) 1pc
- (2) 1pc
- (3) 1pc
- (4) 1pc
- (5) 1pc
- (6) 1pc
- (7) 1pc

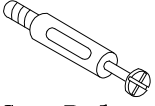

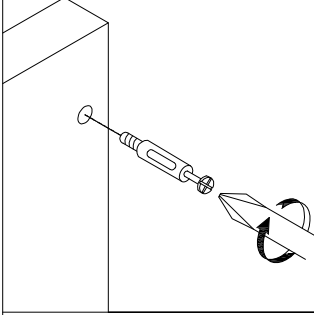
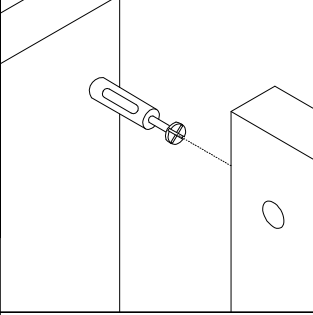
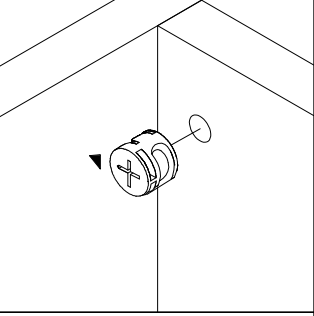
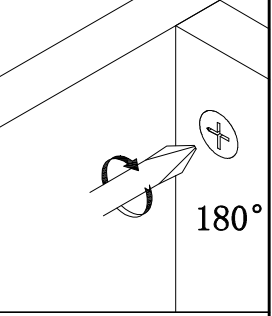
HARDWARE IDENTIFICATION

ITEM#:161867/171913

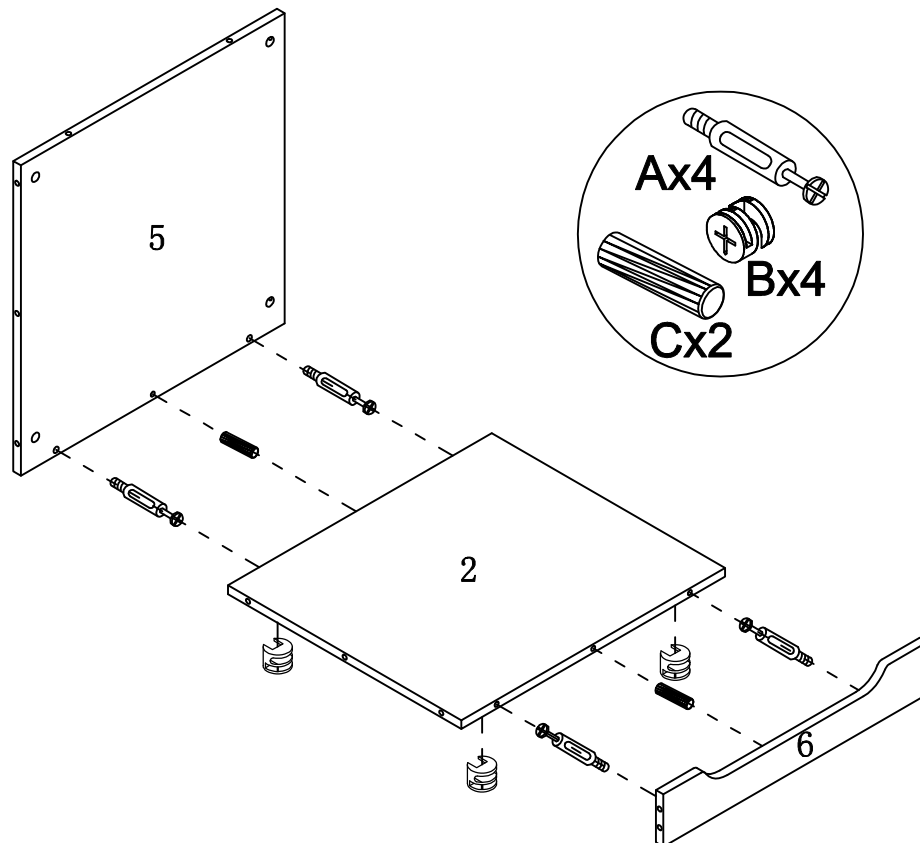
A		L29	18PCS
B		Φ 15	18PCS
C		Φ 8x25	12PCS
D		Φ 16	4PCS
E		Φ 22 (DWN)	6PCS
F		Glue: For securing please apply to wood dowel first before inserting into panel	1PC

HARDWARE IDENTIFICATION

ITEM#:161867/171913

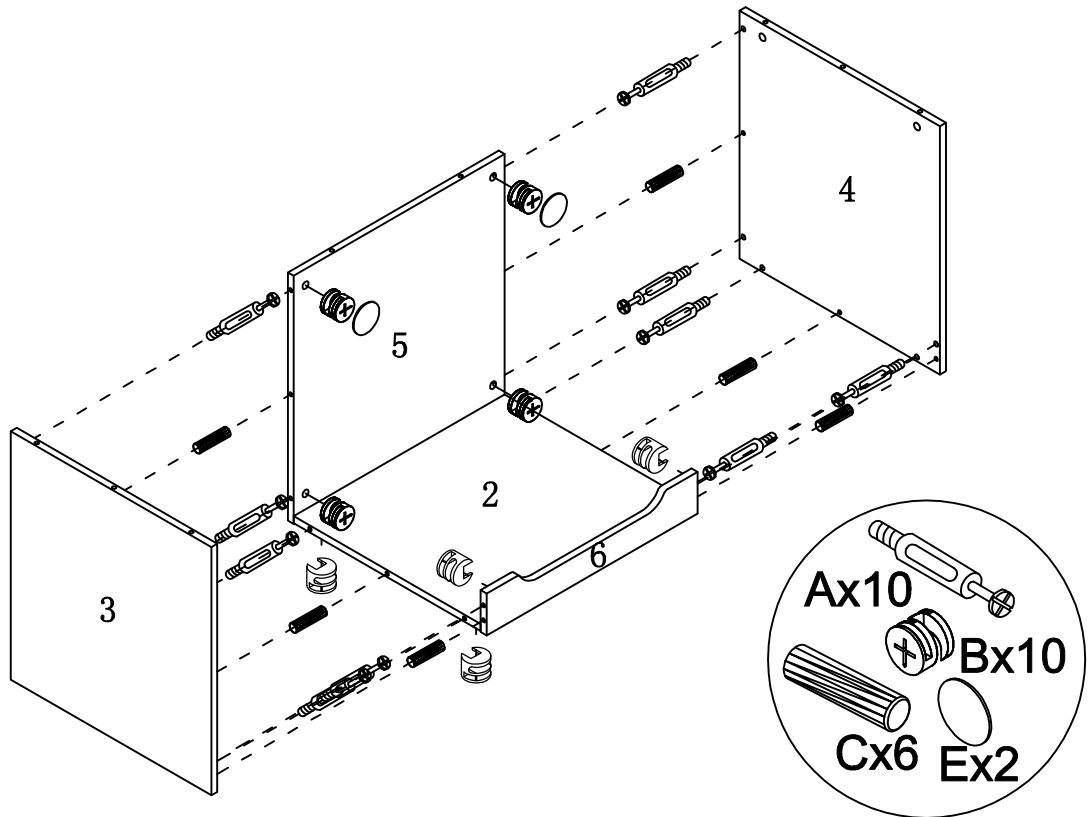
HOW TO	1	2	3	4
 Cam Bolt  Cam Lock				
	1. Screw Cam Bolt into panel.	2. Insert Cam Bolt into bolt hole of joining panel.	3. Insert Cam Lock. arrow facing bolt.	4. Gently turn Cam Lock clockwise to lock position.

STEP 1



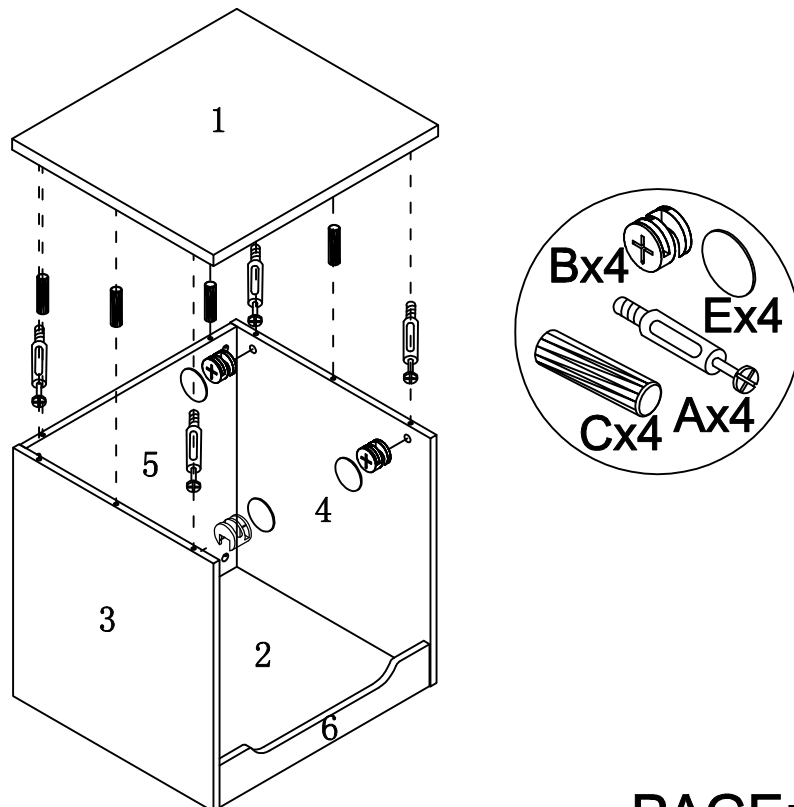
HARDWARE IDENTIFICATION

ITEM#:161867/171913



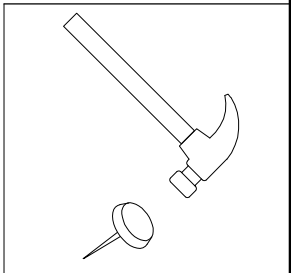
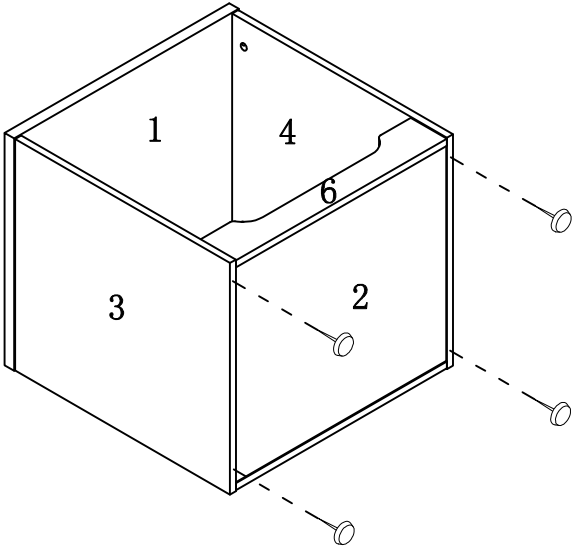
STEP2

STEP3



HARDWARE IDENTIFICATION

ITEM#:161867/171913



STEP4

STEP5

