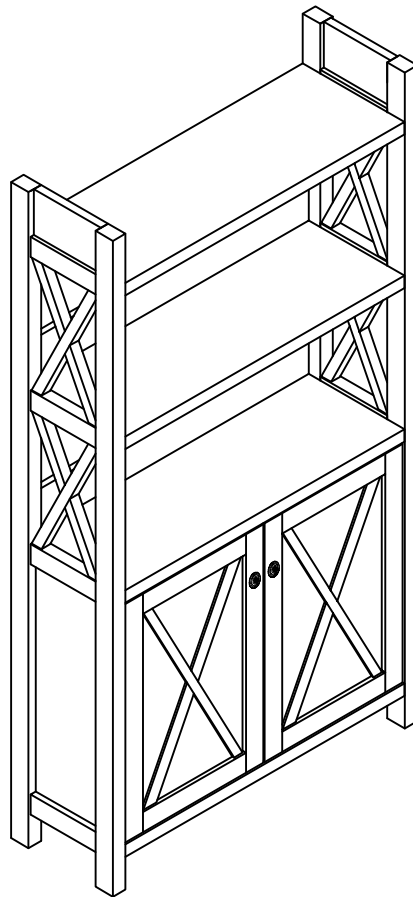


# ASSEMBLY INSTRUCTION

---

ITEM#: 161889 171912



# ASSEMBLY INSTRUCTION

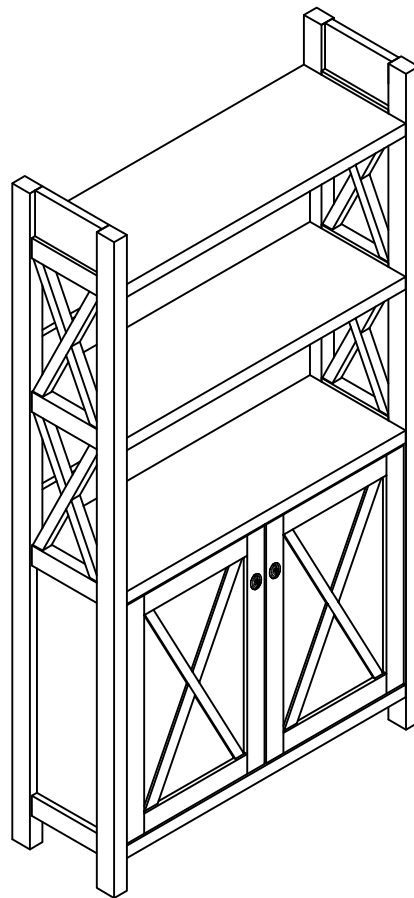
## **PLEASE READ BEFORE ASSEMBLING!**

Tip #1: Make sure you've taken all the pieces and hardware out of its packaging before discarding the box.

Tip #2: Using page 2 and/or page 3 of instruction manual make sure all pieces and hardware are accounted for.

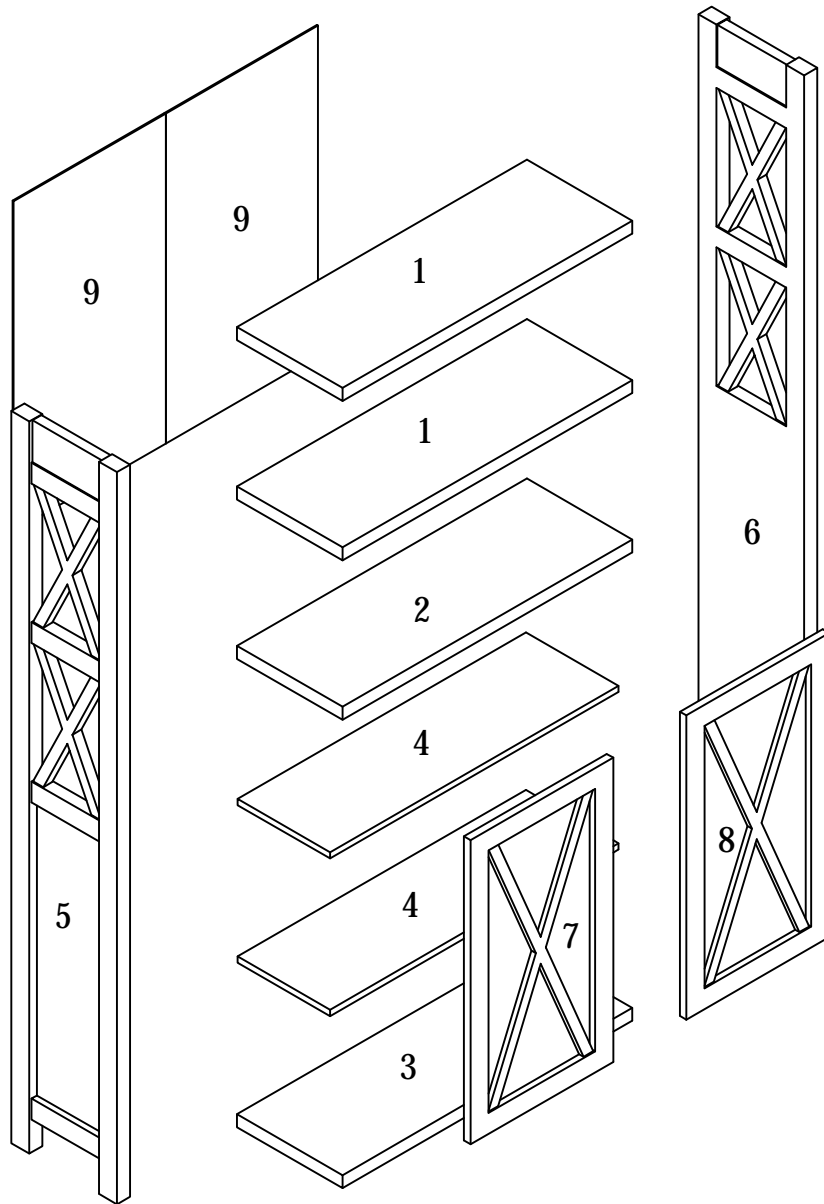
Tip #3: Read manual before assembling, it helps!

ITEM#: 161889 171912



# PARTS IDENTIFICATION

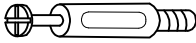


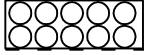


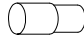
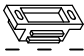

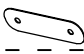

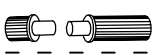



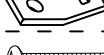
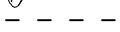


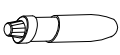
ITEM#: 161889 171912



(1) 2pcs	(8) 1pc
(2) 1pc	(9) 2pcs
(3) 1pc	
(4) 2pcs	
(5) 1pc	
(6) 1pc	
(7) 1pc	

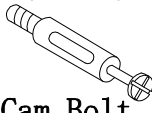

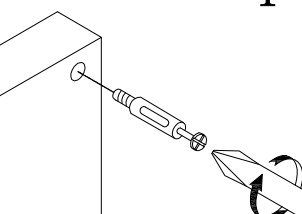
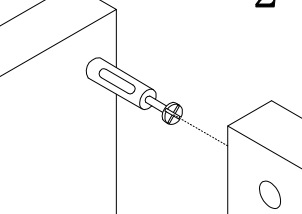
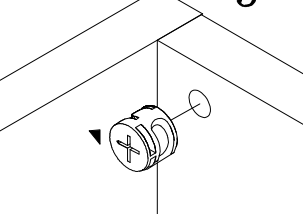
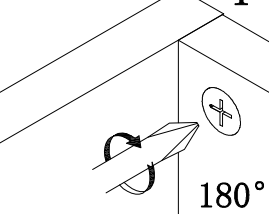
# HARDWARE IDENTIFICATION

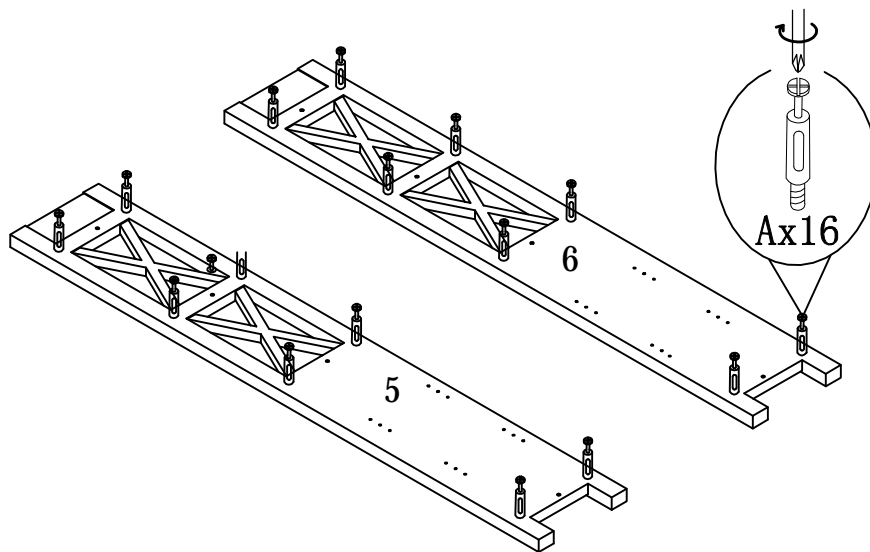
ITEM#: 161889 171912

A		L29	16pcs
B		$\phi$ 15	16pcs
C		$\phi$ 8 x 25	8pcs
D		$\phi$ 22	8pcs
E			32pcs
F		$\phi$ 16	4pcs
G		$\phi$ 5 x 15	8pcs
H			2pcs
I		$\phi$ 3 x 16	4pcs
J			2pcs
K		$\phi$ 3 x 14	4pcs
L			2pcs
M		$\phi$ 36	2pcs
N		$\phi$ 4 x 20	2pcs
O		$\phi$ 8x40	1pc
P		$\phi$ 12x12x1	2pcs
Q		$\phi$ 5x40	1pc
R		$\phi$ 4x25	1pc
S		197 x 5 x 1	1pc
T		Glue: For securing please apply to wood dowel first before inserting into panel	1pc

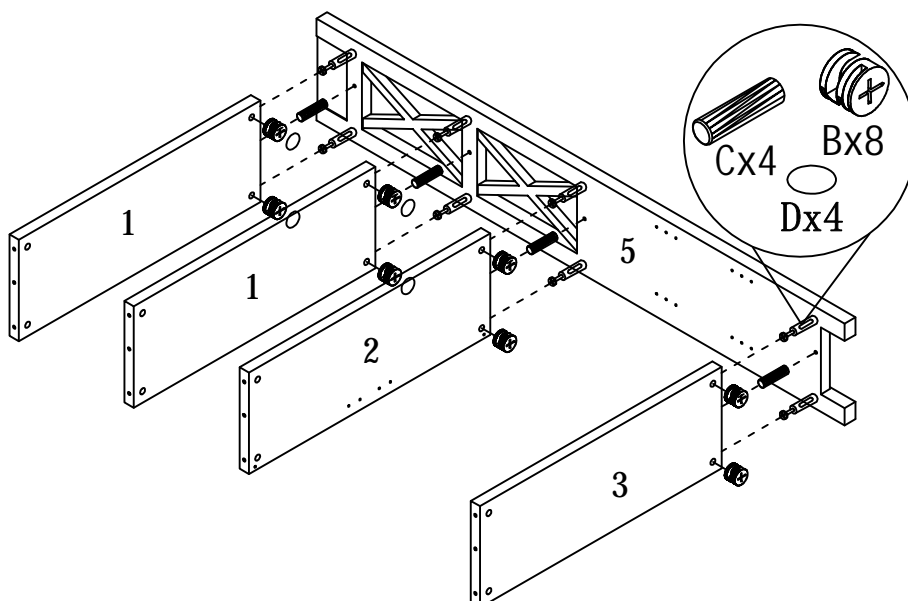
# ASSEMBLY INSTRUCTION

ITEM#: 161889 171912

<p>HOW TO</p>  <p>Cam Bolt</p>  <p>Cam Lock</p>	<p>1</p> 	<p>2</p> 	<p>3</p> 	<p>4</p>  <p>180°</p>
	<p>1. Screw Cam Bolt into panel.</p>	<p>2. Insert Cam Bolt into bolt hole of joining panel.</p>	<p>3. Insert Cam Lock. arrow facing bolt.</p>	<p>4. Gently turn Cam Lock clockwise to lock position.</p>

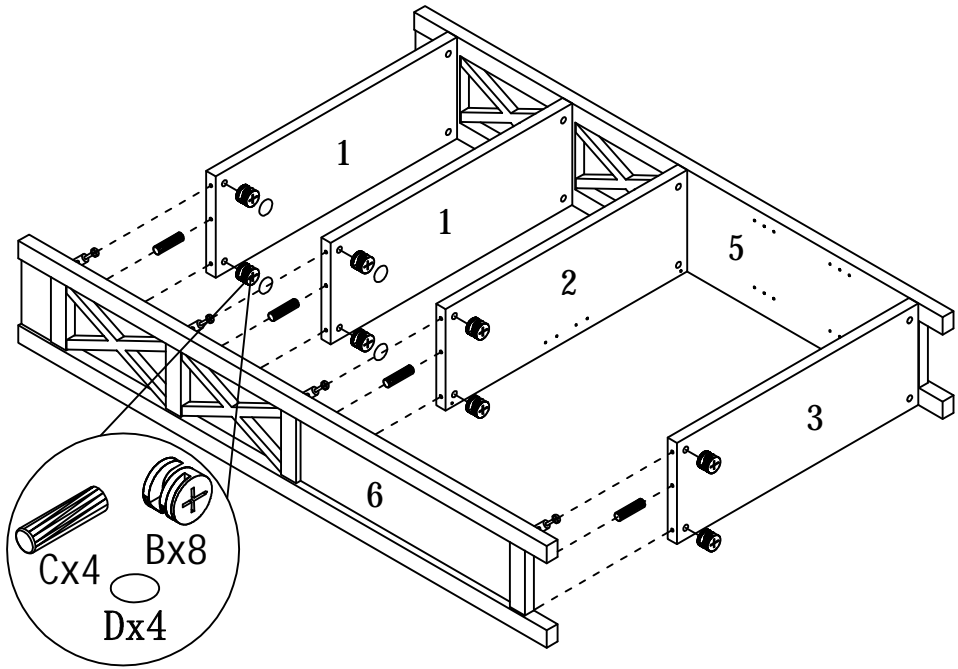


## STEP 2



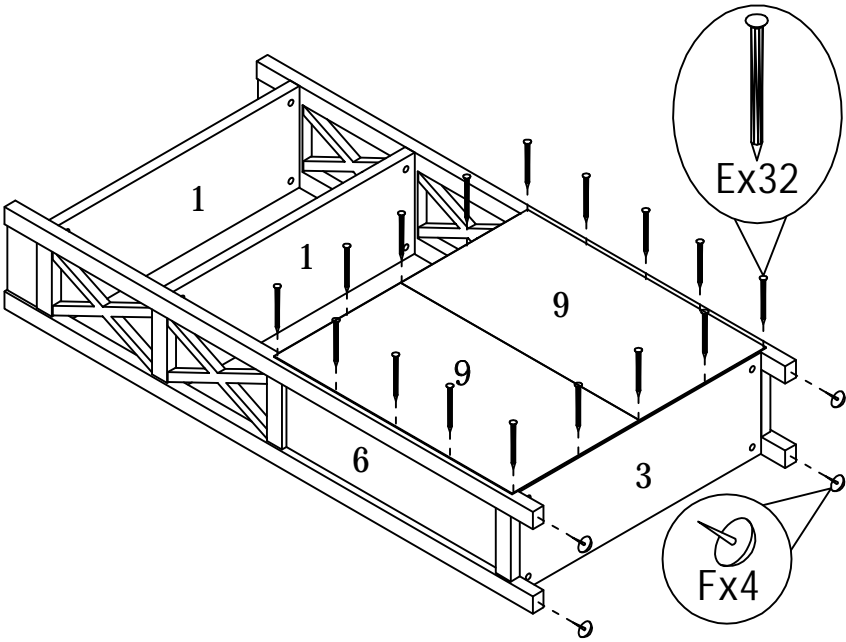
# ASSEMBLY INSTRUCTION

ITEM#: 161889 171912



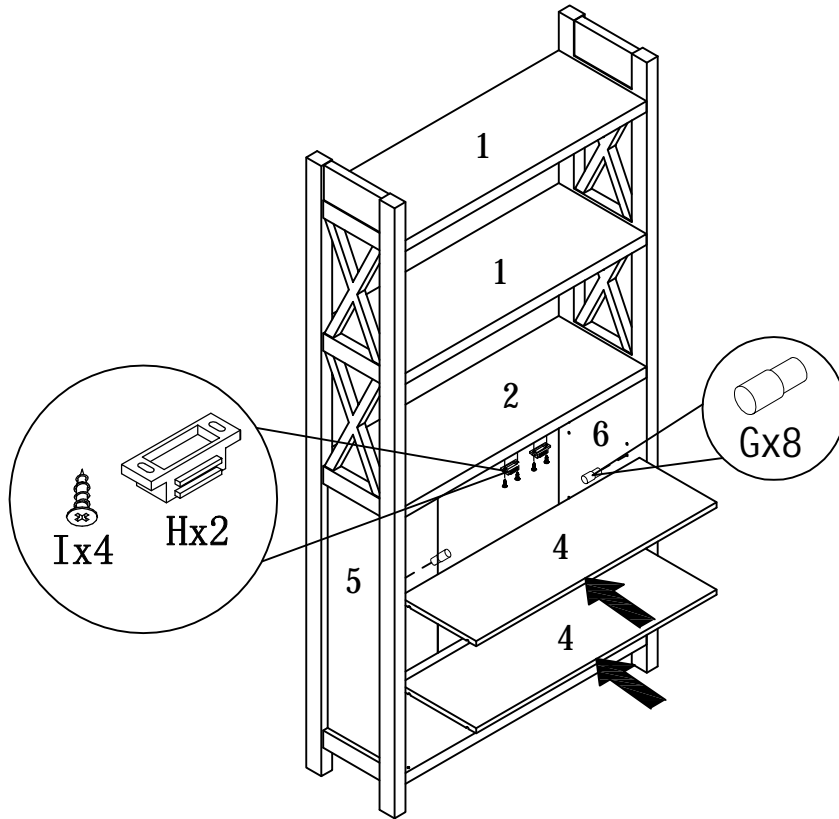
STEP3

STEP4



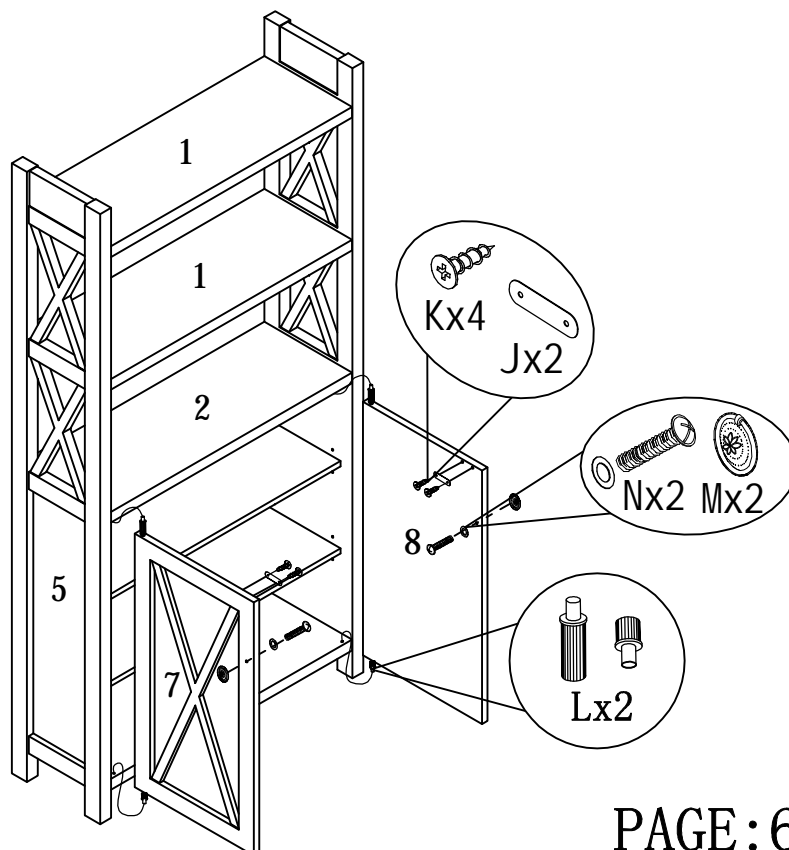
# ASSEMBLY INSTRUCTION

ITEM#: 161889 171912



STEP 5

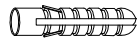
STEP 6



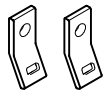
PAGE: 6 OF 7

# ANTI-TIPPING STRAP INSTRUCTION

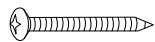
## HARDWARE (INCLUDED) :



DRYWALL ANCHOR  $\phi 8 \times 40$  X 1PC



METAL BRACKETS  $12 \times 12 \times 1$  X 2PCS



DRYWALL SCREW  $\phi 5 \times 40$  X 1PC

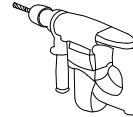


STRAP  $197 \times 5 \times 1$  X 1PC



FLATHEAD SCREW  $\phi 4 \times 25$  X 1PC

## TOOLS NEEDED ( NOT INCLUDED) :



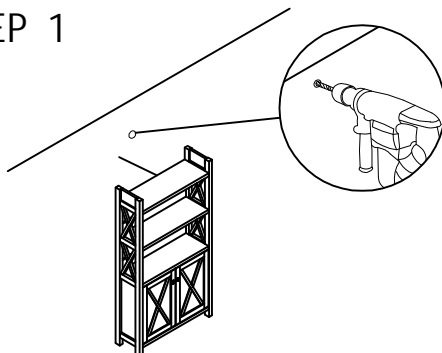
DRILL & DRILL BIT



LIGHT HAMMER

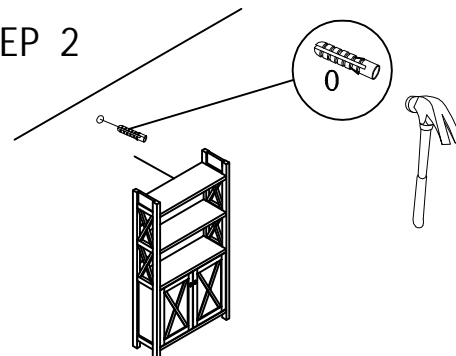
Note: Hardware included only compatible with standard drywalls.

### STEP 1



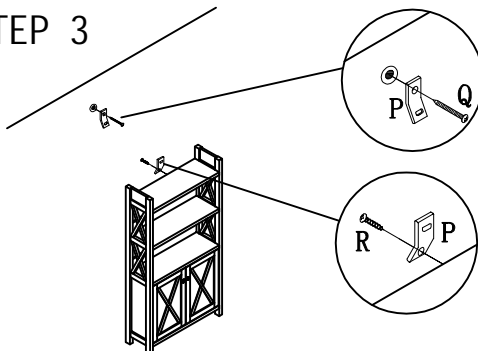
1. Find spot on wall 1" below top of item.
2. Using a drill bit slightly thinner than anchor, drill hole into drywall.

### STEP 2



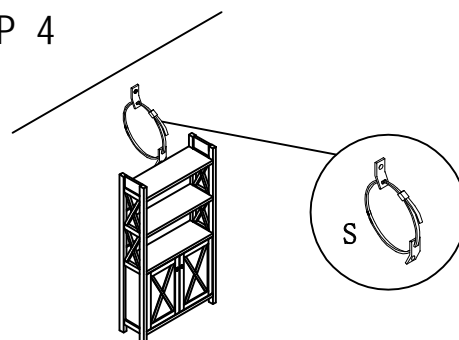
1. Use a light hammer to tap anchor into hole.
2. Anchor should fit snugly. If hole is too small, drill again to increase hole size. Do not force anchor into wall.

### STEP 3



1. Insert drywall screw into metal bracket and into drywall anchor.
2. Insert flathead screw into second metal bracket and into back of item along top edge.

### STEP 4



1. Insert strap thru bracket attached to wall, then thru bracket on item, and into head of strap.
  2. pull lightly til strap stops.
- Assembly is complete.