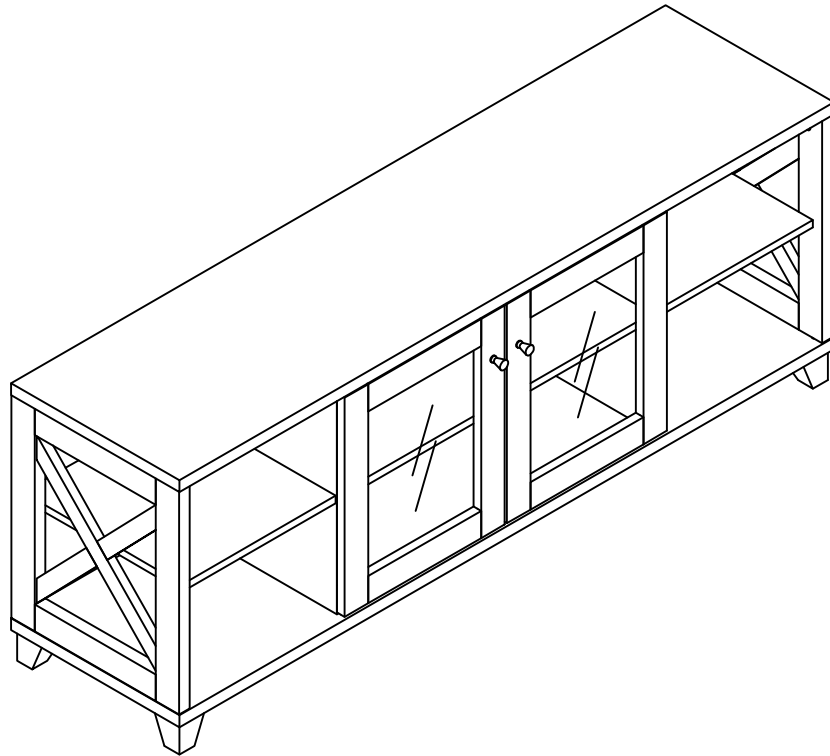


ASSEMBLY INSTRUCTION

ITEM#: 182321



ASSEMBLY INSTRUCTION

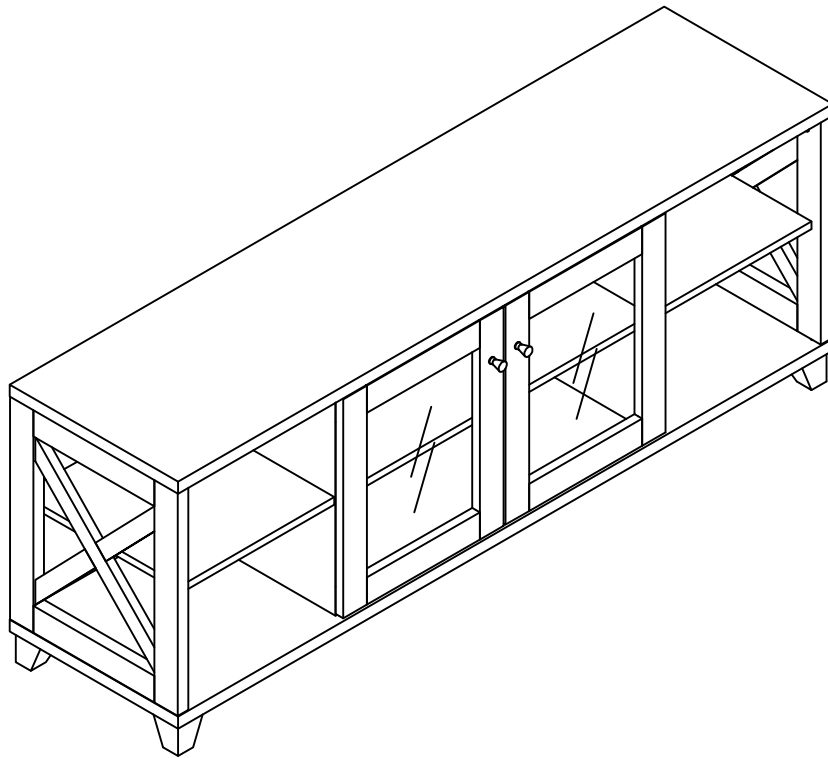
PLEASE READ BEFORE ASSEMBLING!

Tip #1: Make sure you've taken all the pieces and hardware out of its packaging before discarding the box. Assembly on top of flattened box/blanket is recommended.

Tip #2: Using page 2 and/or page 3 of instruction manual make sure all pieces and hardware are accounted for.

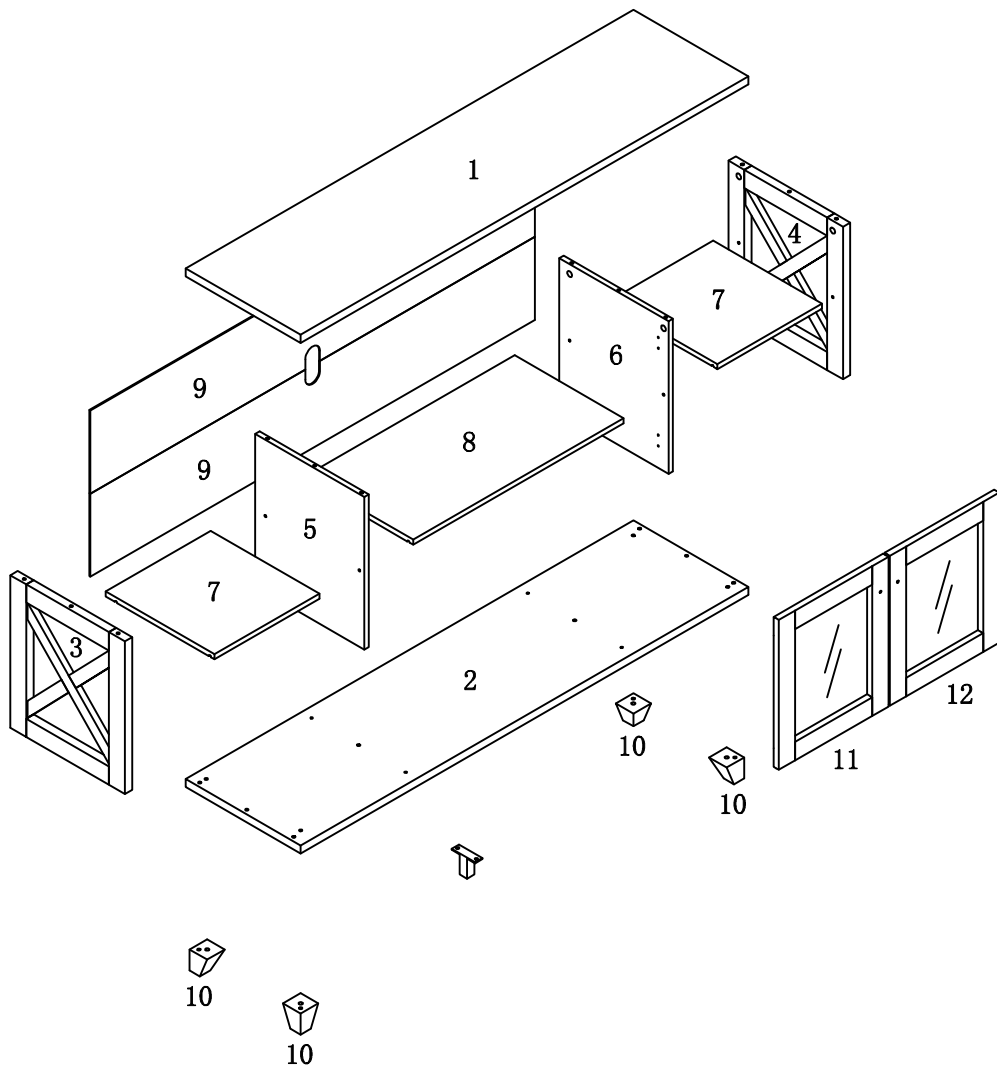
Tip #3: Note position of all holes on each panel during assembly.

ITEM#: 182321



PARTS IDENTIFICATION

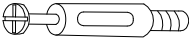


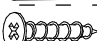
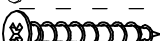






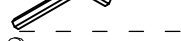
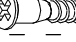
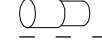




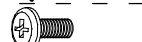
ITEM#: 182321



(1)	1pc	(7)	2pcs
(2)	1pc	(8)	1pc
(3)	1pc	(9)	2pcs
(4)	1pc	(10)	4pcs
(5)	1pc	(11)	1pc
(6)	1pc	(12)	1pc

HARDWARE IDENTIFICATION

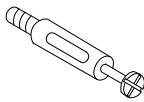

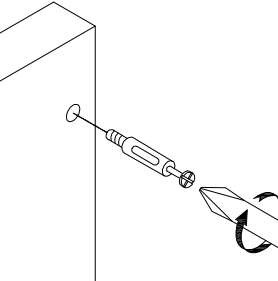
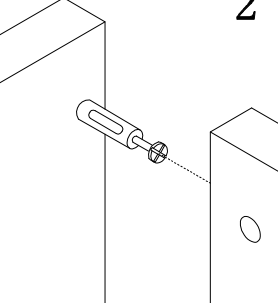
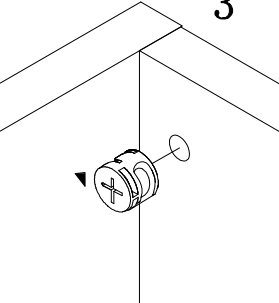
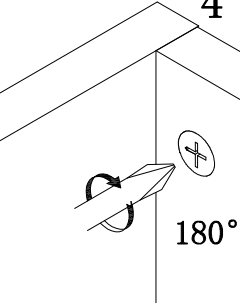
ITEM#: 182321

A		L29	8pcs
B		ø15	8pcs
C		ø8x25	12pcs
D		ø4x16	16pcs
E		ø4x45	4pcs
F			2pcs
G		M4 x 22	2pcs
H		301A	4pcs
I		M8 x 35	4pcs
J		ø16xø8x2	8pcs
K		M5	1pc
L		ø7x48	4pcs
M		ø5	12pcs
N			42pcs
O		ø22	12pcs
P		ø16	4pcs
Q		80 × 25 × 62	1pc
R		M6x12	2pcs
S			1pc

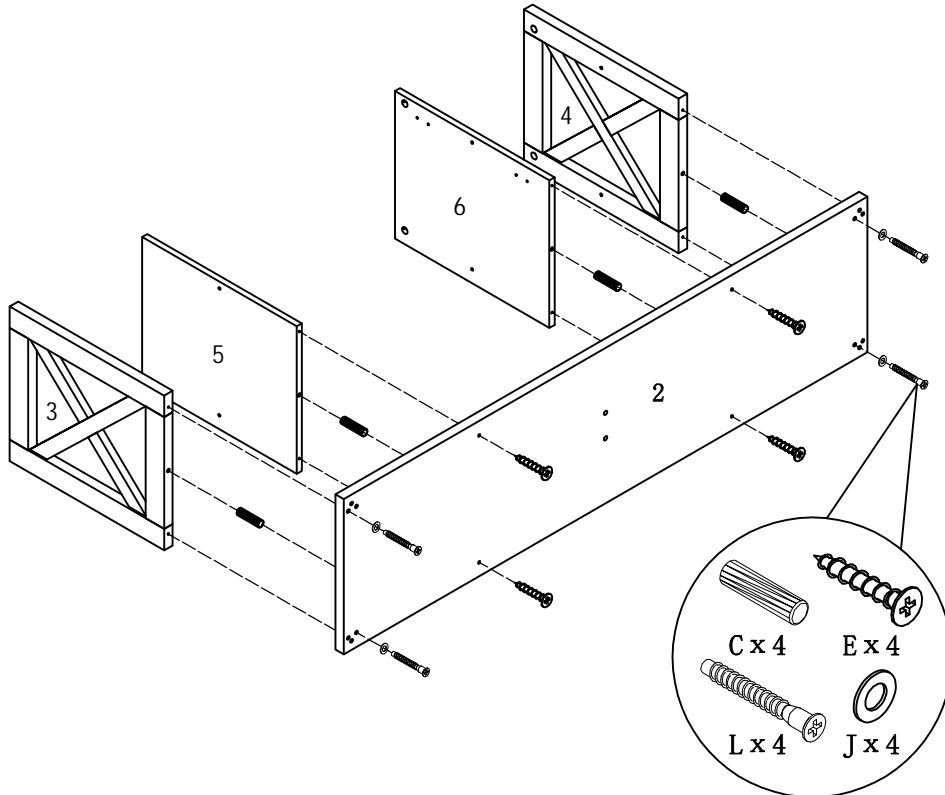
Glue: For securing please apply to wood dowel first before inserting into panel

ASSEMBLY INSTRUCTION

ITEM#: 182321

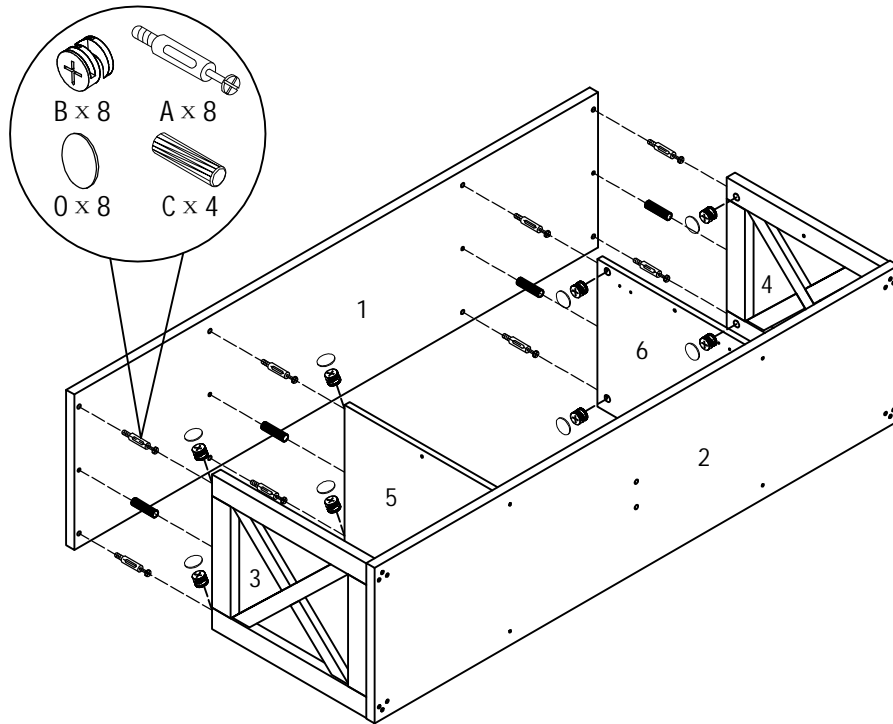
HOW TO	1	2	3	4
 Cam Bolt  Cam Lock				
	1. Screw Cam Bolt into panel.	2. Insert Cam Bolt into bolt hole of joining panel.	3. Insert Cam Lock. arrow facing bolt.	4. Gently turn Cam Lock clockwise to lock position.

STEP 1



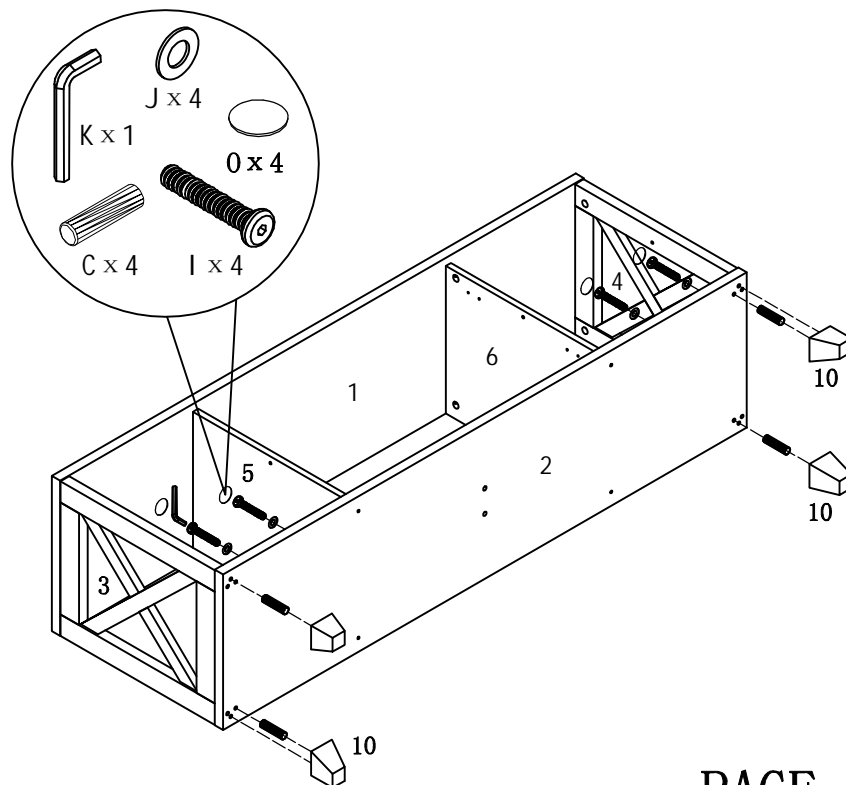
ASSEMBLY INSTRUCTION

ITEM#: 182321



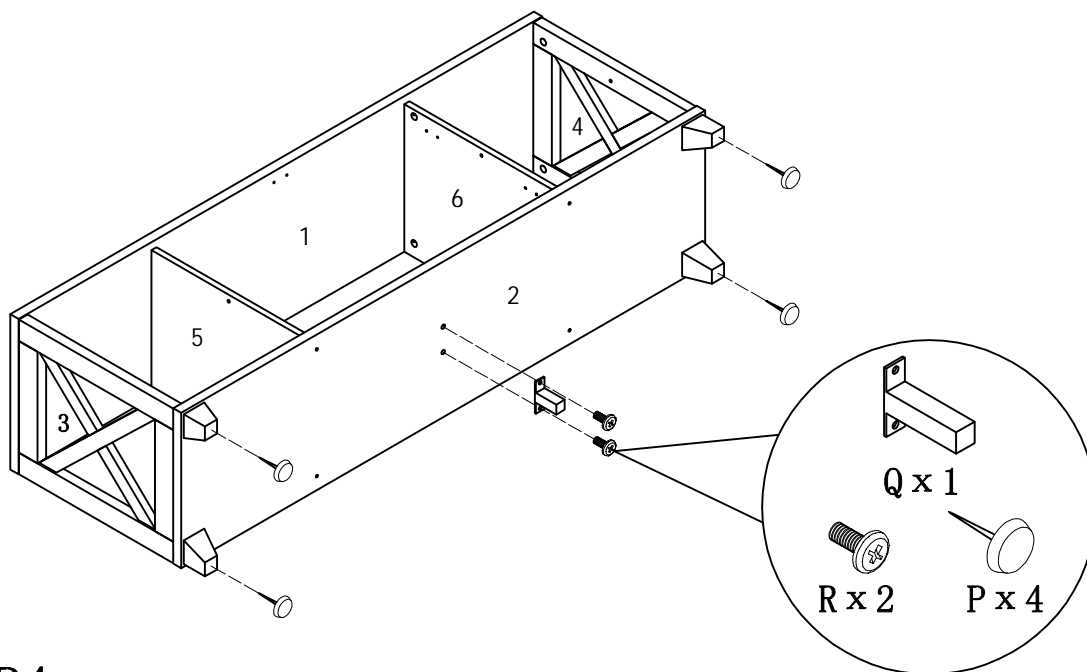
STEP2

STEP3



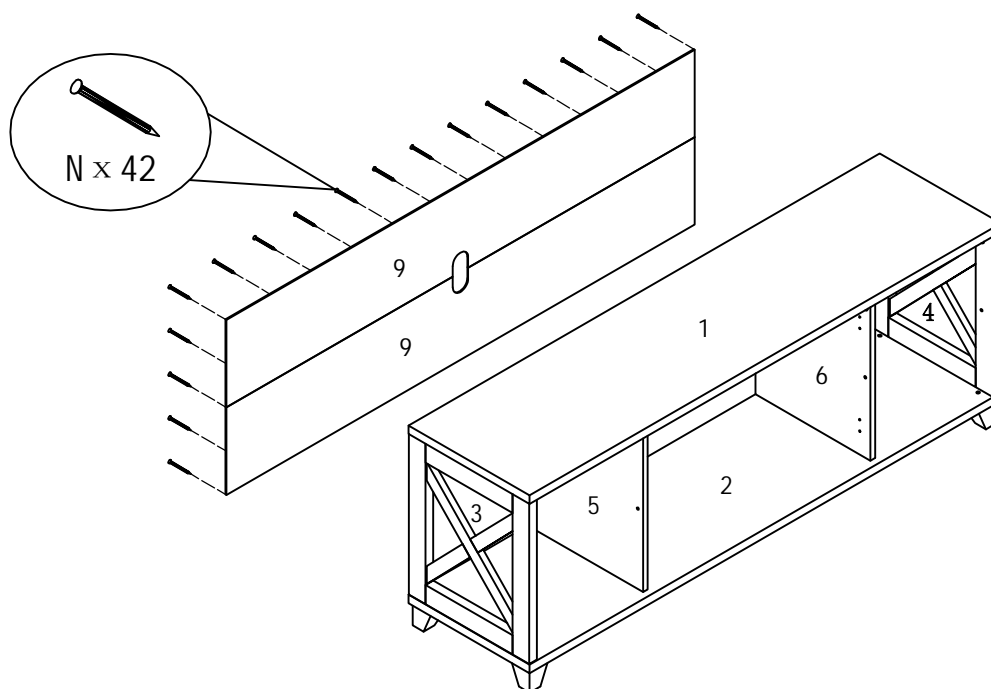
ASSEMBLY INSTRUCTION

ITEM#: 182321



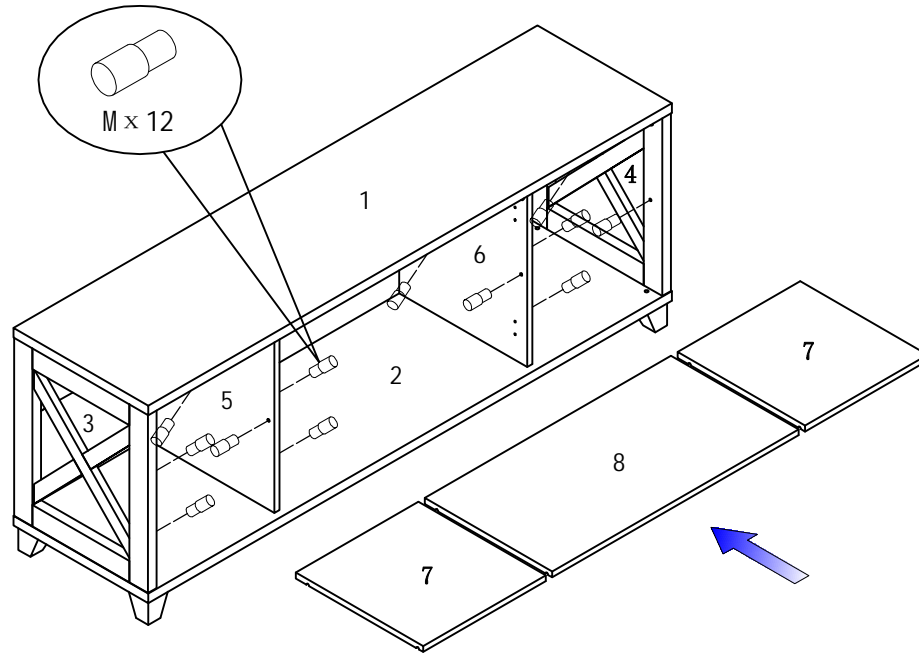
STEP 4

STEP 5



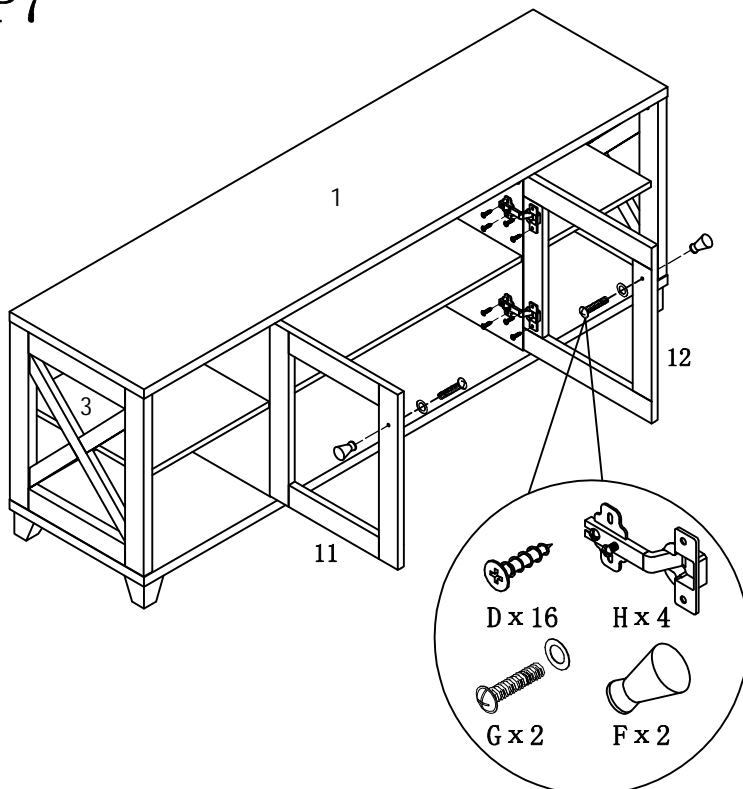
ASSEMBLY INSTRUCTION

ITEM#: 182321

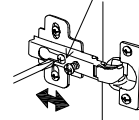


STEP 6

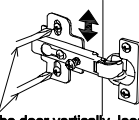
STEP 7



To adjust the door in or out, loosen this screw and push the door further in or push further out then retighten screws.



To adjust the door vertically, loosen the top and bottom screws, push the door up or down as necessary, then retighten screws.



To adjust the door left/right, turn this screw clockwise to move this corner of the door toward the frame, or counterclockwise to move door away from the frame.

