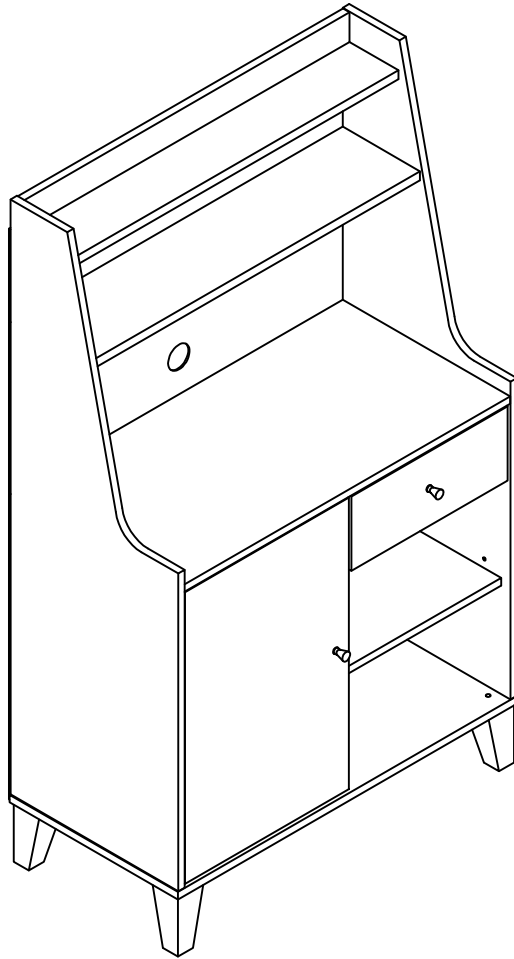


ASSEMBLY INSTRUCTION

ITEM#: 182329



ASSEMBLY I NSTRUCTION

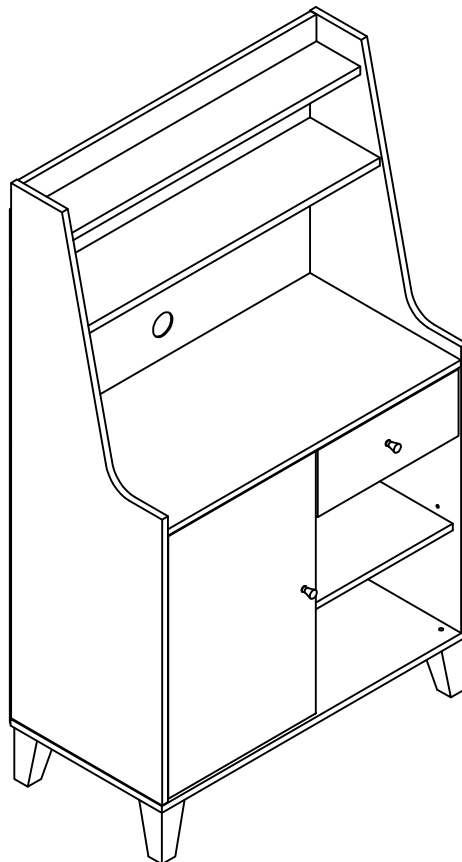
PLEASE READ BEFORE ASSEMBLING!

Tip #1: Make sure you've taken all the pieces and hardware out of its packaging before discarding the box. Assembly on top of flattened box/blanket is recommended.

Tip #2: Using page 2 and/or page 3 of instruction manual make sure all pieces and hardware are accounted for.

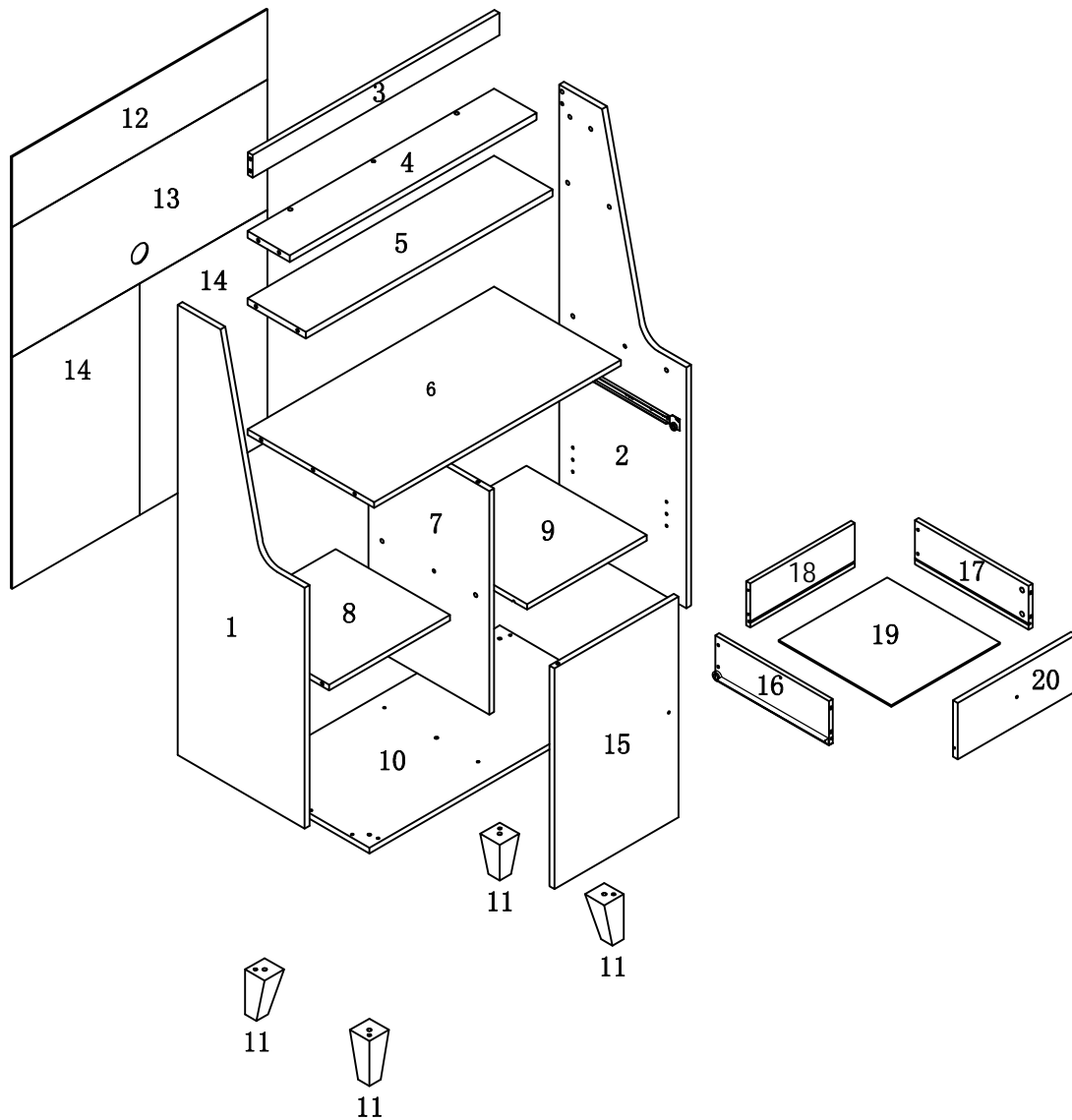
Tip #3: Note position of all holes on each panel during assembly .

ITEM#: 182329



PARTS IDENTIFICATION



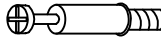



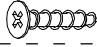
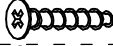
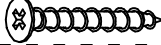
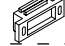
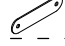
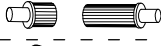



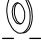
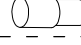
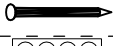


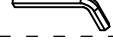

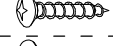
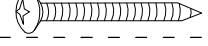



ITEM#: 182329



(1)	1pc	(8)	1pc	(15)	1pc
(2)	1pc	(9)	1pc	(16)	1pc
(3)	1pc	(10)	1pc	(17)	1pc
(4)	1pc	(11)	4pcs	(18)	1pc
(5)	1pc	(12)	1pc	(19)	1pc
(6)	1pc	(13)	1pc	(20)	1pc
(7)	1pc	(14)	2pcs		

HARDWARE IDENTIFICATION

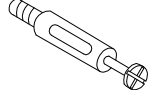
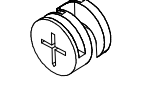
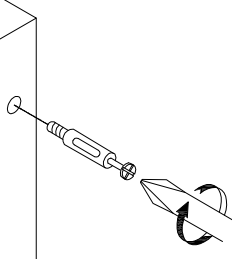
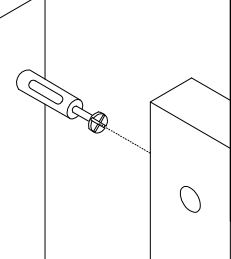
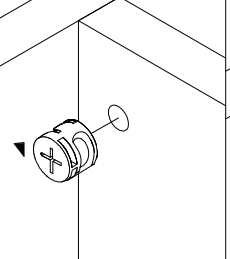
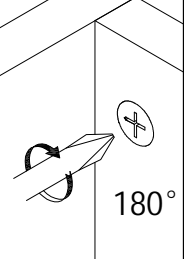
ITEM#: 182329

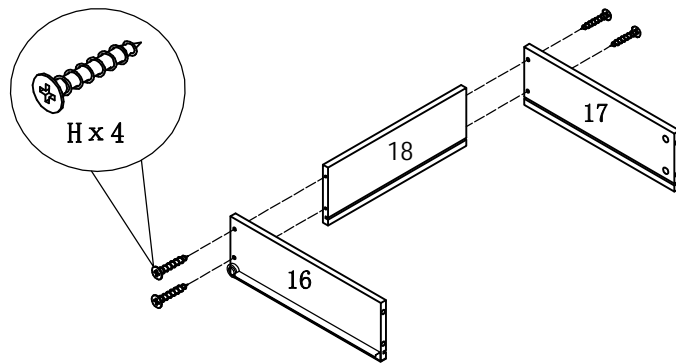
A		L29	22pcs
B		∅15	22pcs
C		L20	4pcs
D		∅12	4pcs
E		∅8x25	15pcs
F		∅3x14	2pcs
G		∅3x16	2pcs
H		∅4x30	4pcs
I		∅4x40	6pcs
J			1pc
K			1pc
L			1pc
M			2pcs
N		M4x22	2pcs
O		M8x30	4pcs
P		∅16x∅8x2	4pcs
Q		∅5	4pcs
R			66pcs
S		∅22	18pcs
T		∅16	4pcs
U		M5	1pc
V		197×5×1	1pc
W		∅4x25	1pc
X		∅5x40	1pc
Y		∅8 x 40	1pc
Z		12×12×1	2pcs
A1			1pc

Glue: For securing please apply to wood dowel first before inserting into panel

ASSEMBLY INSTRUCTION

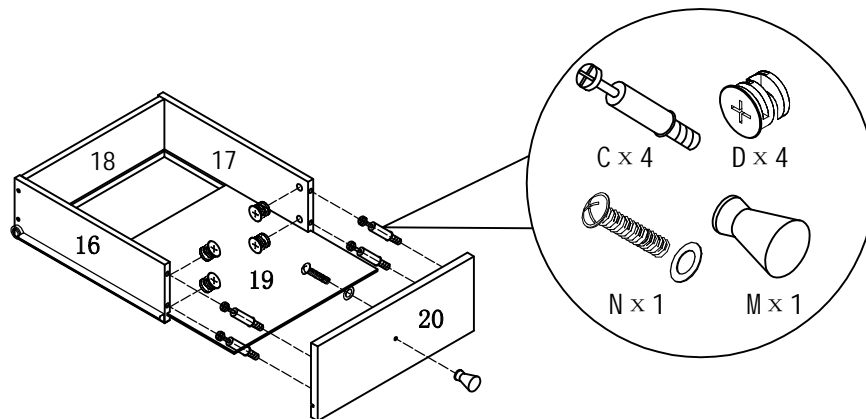
ITEM#: 182329

HOW TO	1	2	3	4
 Cam Bolt  Cam Lock				 180°
	1. Screw Cam Bolt into panel.	2. Insert Cam Bolt into bolt hole of joining panel.	3. Insert Cam Lock. arrow facing bolt.	4. Gently turn Cam Lock clockwise to lock position.



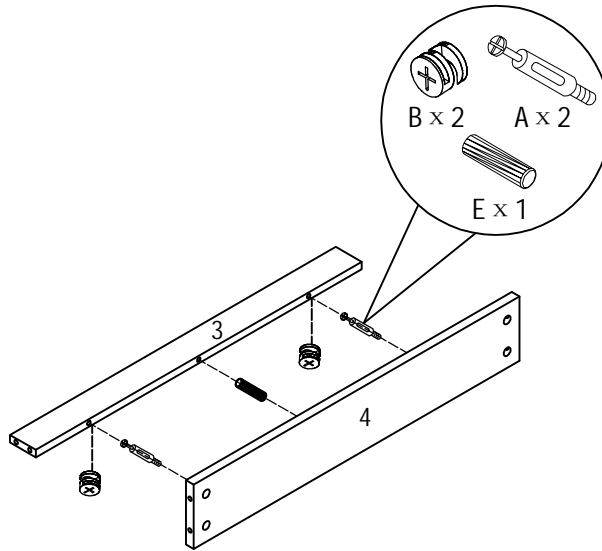
STEP1

STEP2



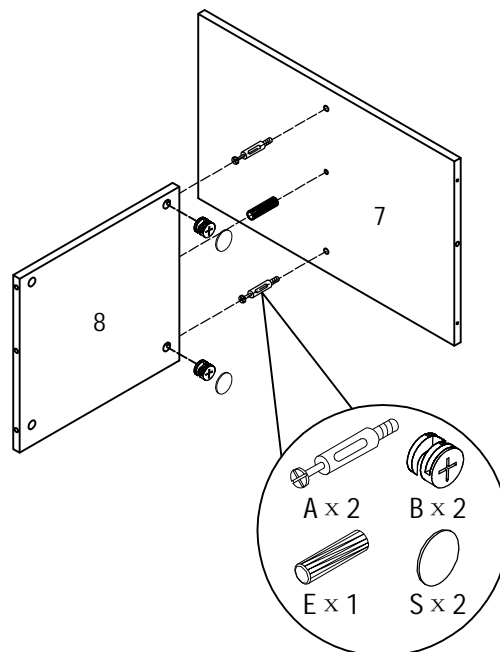
ASSEMBLY INSTRUCTION

ITEM#: 182329



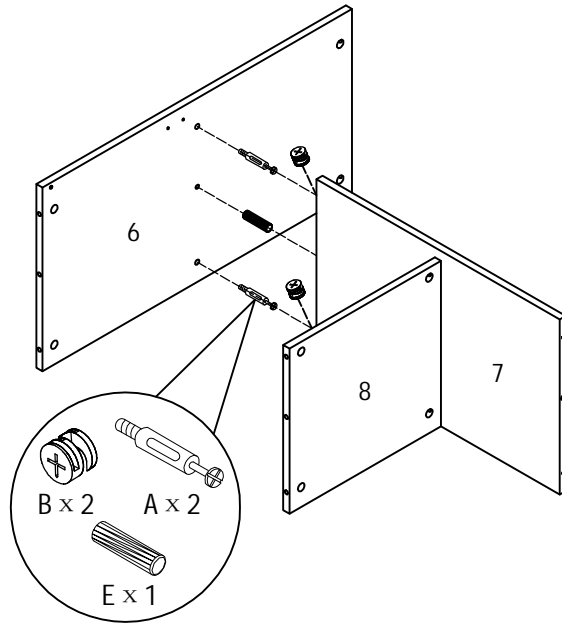
STEP3

STEP4



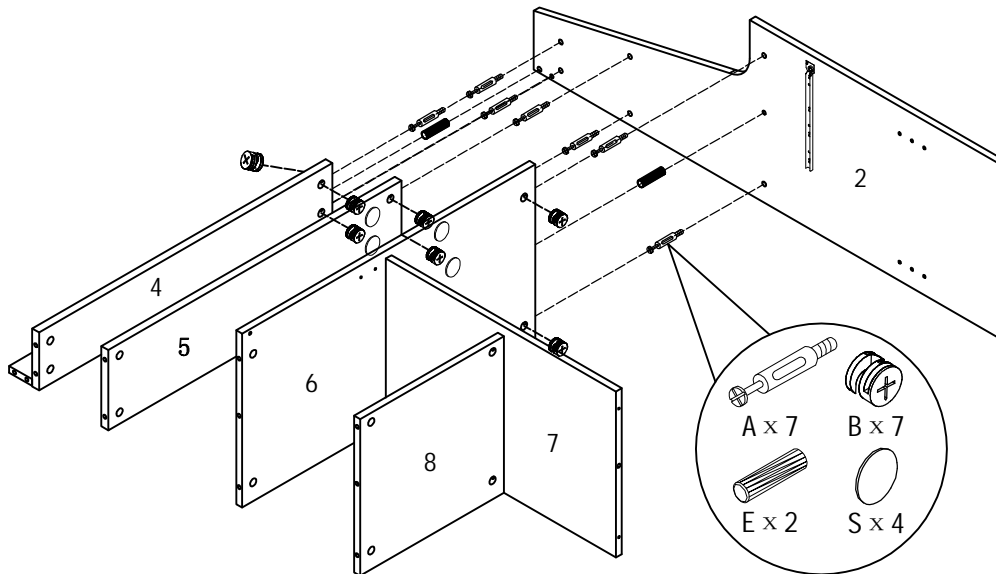
ASSEMBLY INSTRUCTION

ITEM#: 182329



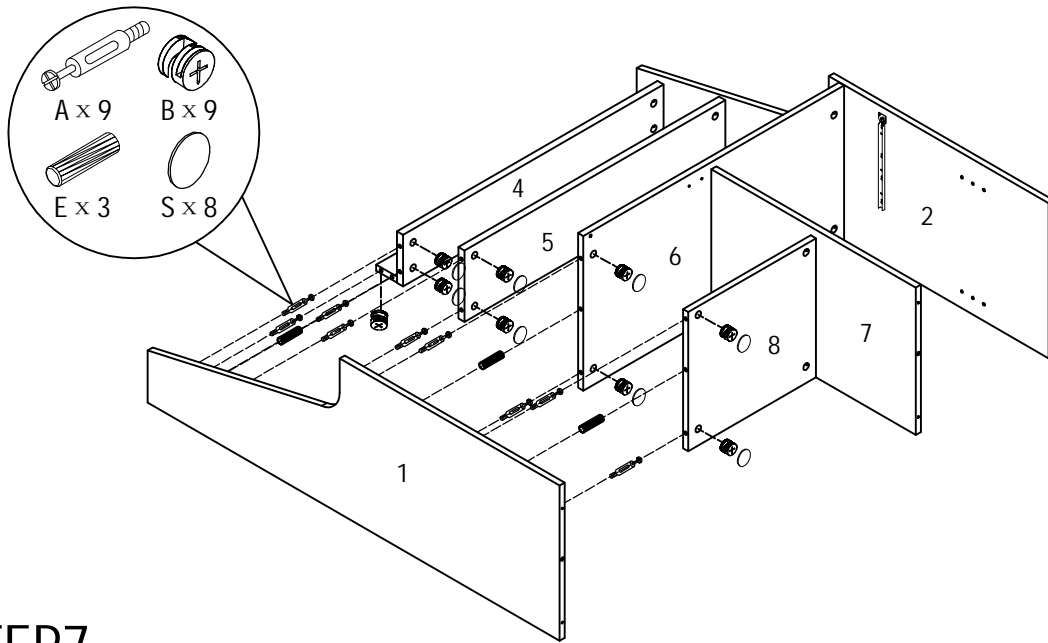
STEP5

STEP6



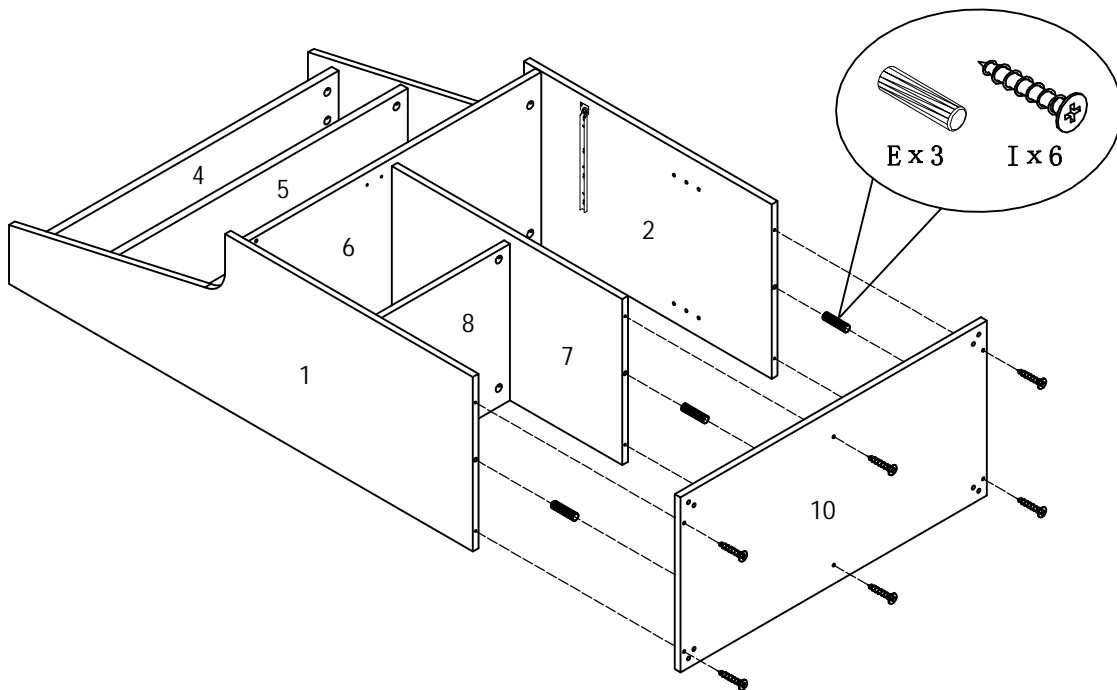
ASSEMBLY INSTRUCTION

ITEM#: 182329



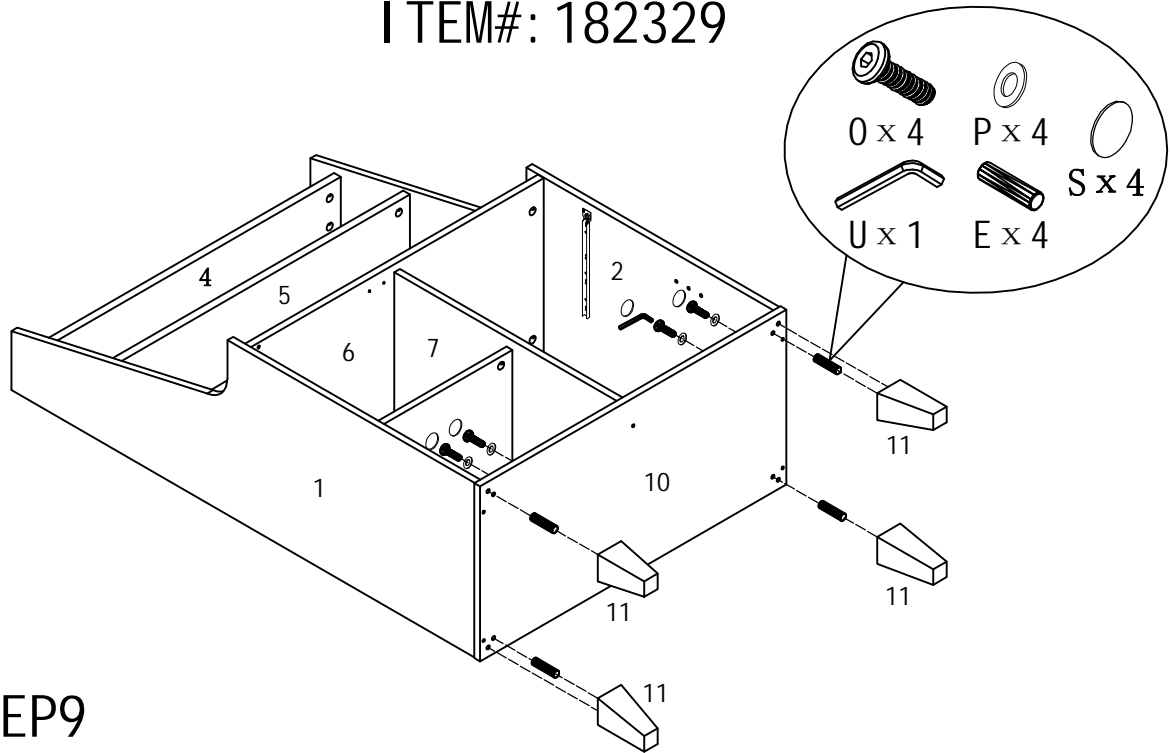
STEP 7

STEP 8



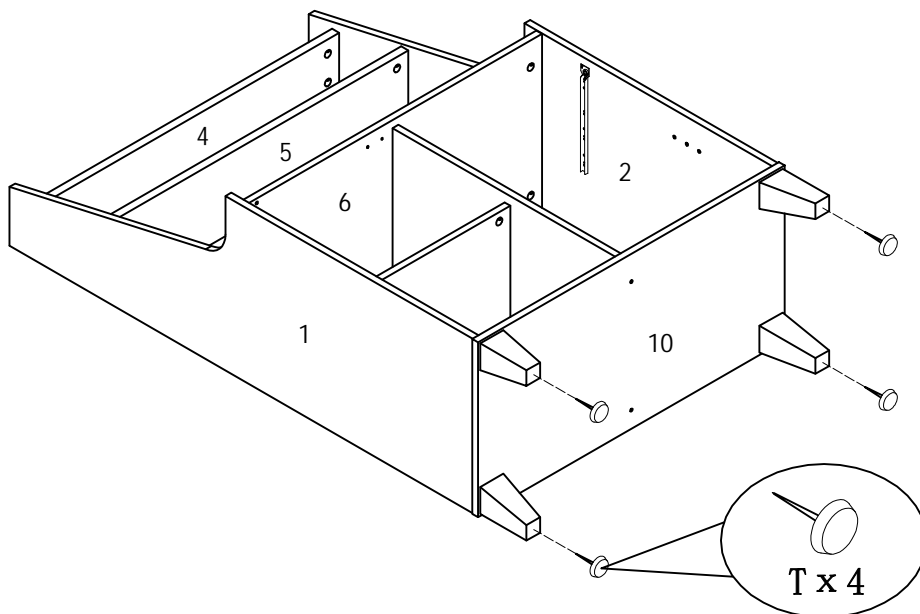
ASSEMBLY INSTRUCTION

ITEM#: 182329



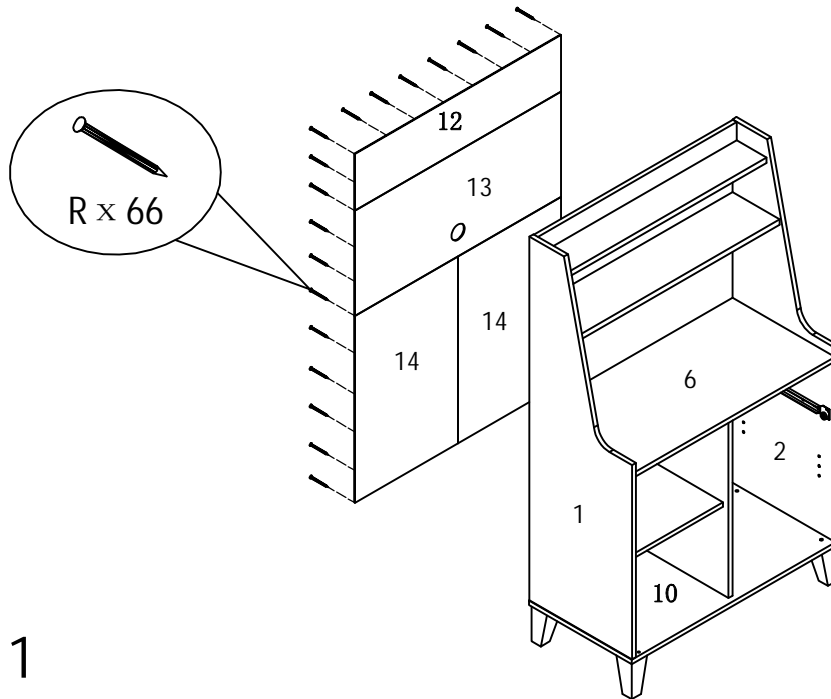
STEP9

STEP10



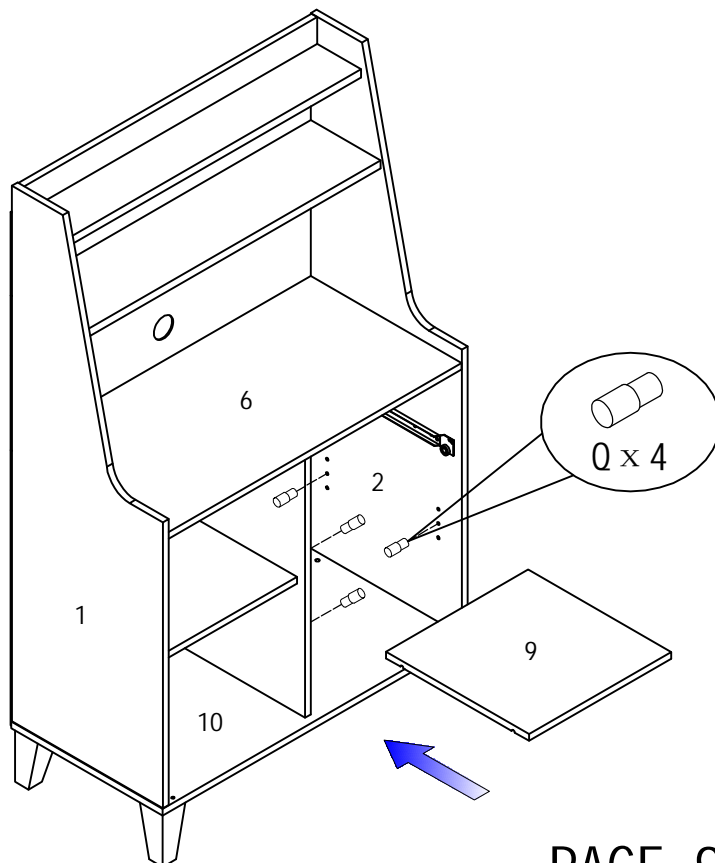
ASSEMBLY INSTRUCTION

ITEM#: 182329



STEP11

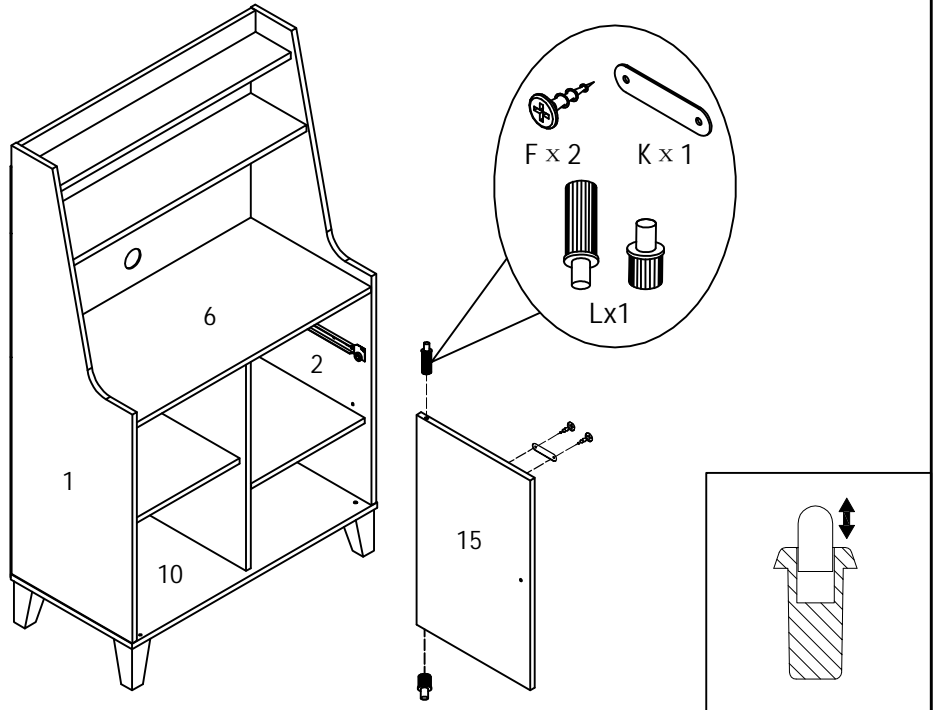
STEP12



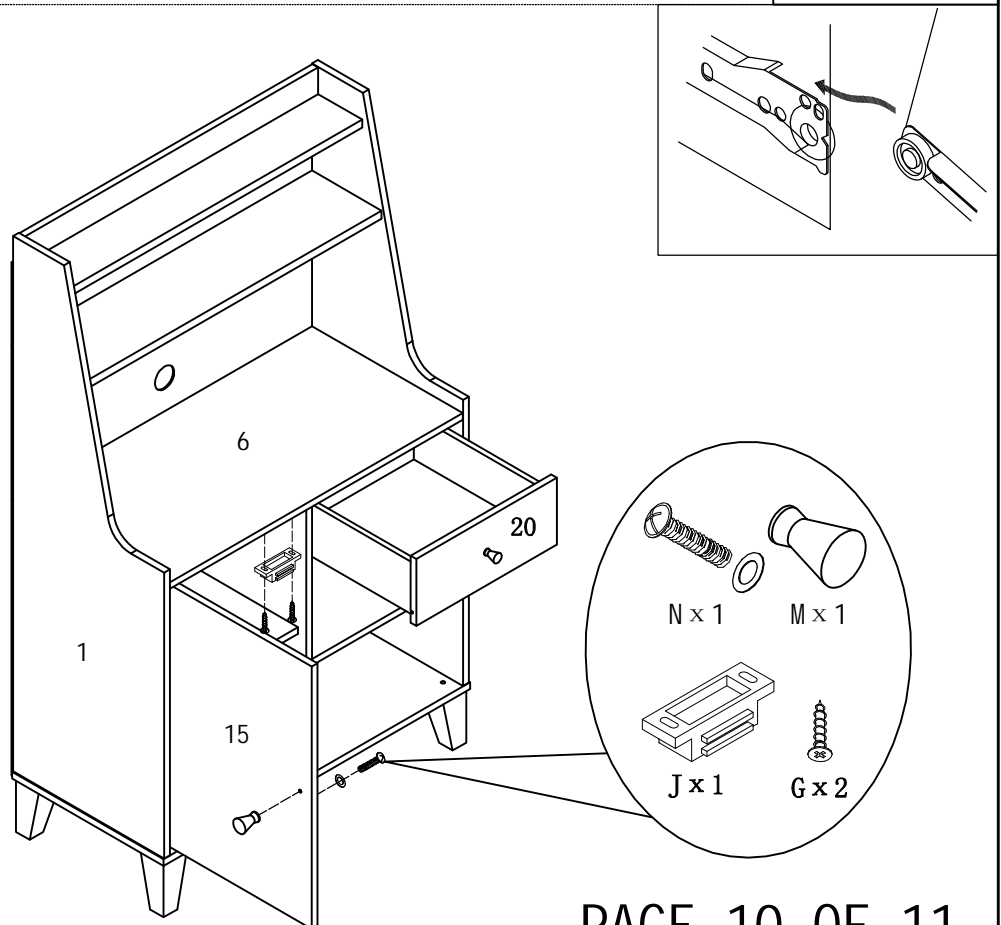
ASSEMBLY INSTRUCTION

ITEM#: 182329

STEP13



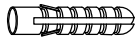
STEP14



ANTI-TIPPING STRAP INSTRUCTION

HARDWARE (INCLUDED):

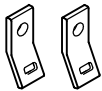
TOOLS NEEDED (NOT INCLUDED):



DRYWALL ANCHOR $\phi 8 \times 40$ X 1PC



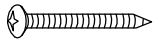
DRILL & DRILL BIT



METAL BRACKETS $12 \times 12 \times 1$ X 2PCS



LIGHT HAMMER



DRYWALL SCREW $\phi 5 \times 40$ X 1PC



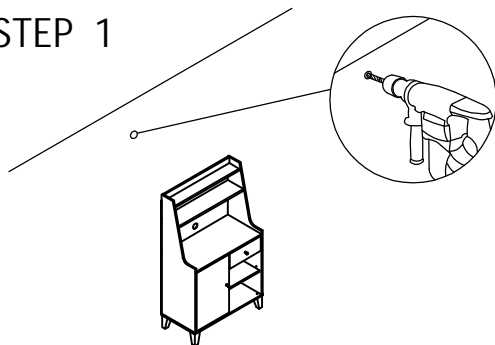
STRAP $197 \times 5 \times 1$ X 1PC



FLATHEAD SCREW $\phi 4 \times 25$ X 1PC

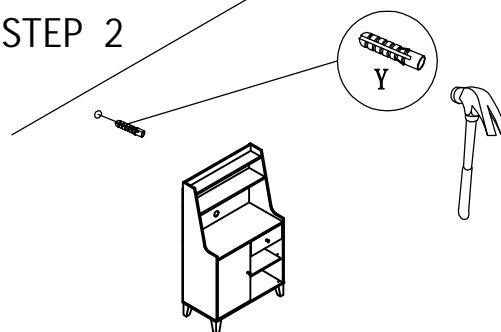
Note: Hardware included only compatible with standard drywalls.

STEP 1



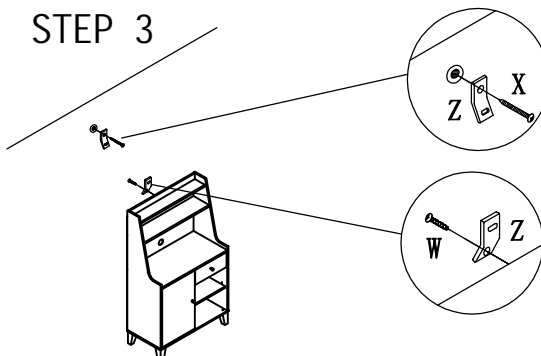
1. Find spot on wall 1" below top of item.
2. Using a drill bit slightly thinner than anchor, drill hole into drywall.

STEP 2



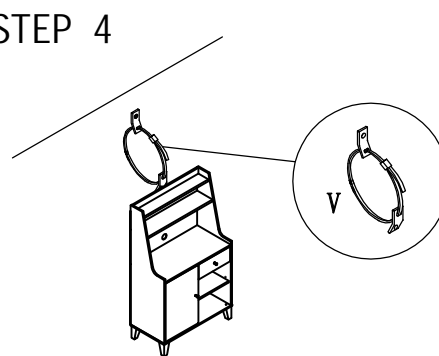
1. Use a light hammer to tap anchor into hole.
2. Anchor should fit snugly. If hole is too small, drill again to increase hole size. Do not force anchor into wall.

STEP 3



1. Insert drywall screw into metal bracket and into drywall anchor.
2. Insert flathead screw into second metal bracket and into back of item, along top edge.

STEP 4



1. Insert strap thru bracket attached to wall, then thru bracket on item, and into head of strap.
 2. pull lightly til strap stops.
- Assembly is complete.