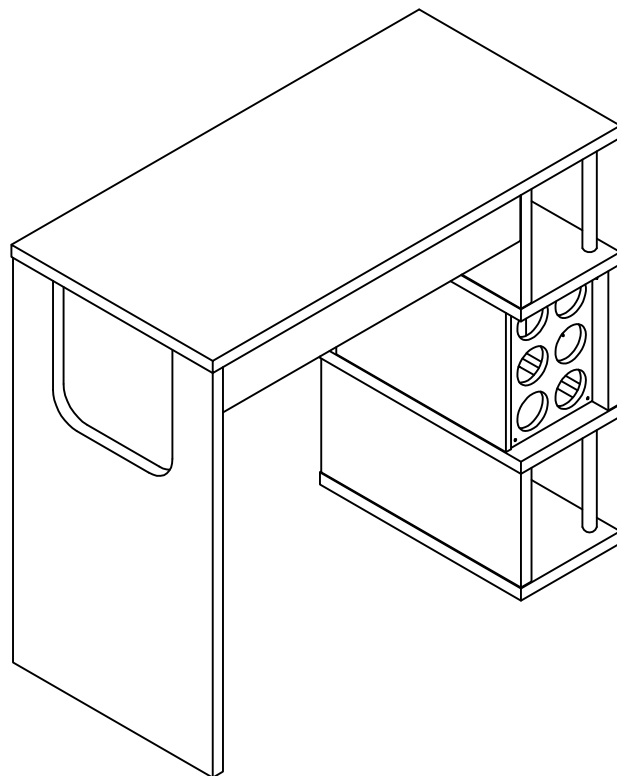


ASSEMBLY INSTRUCTION

ITEM#: 182335



ASSEMBLY INSTRUCTION

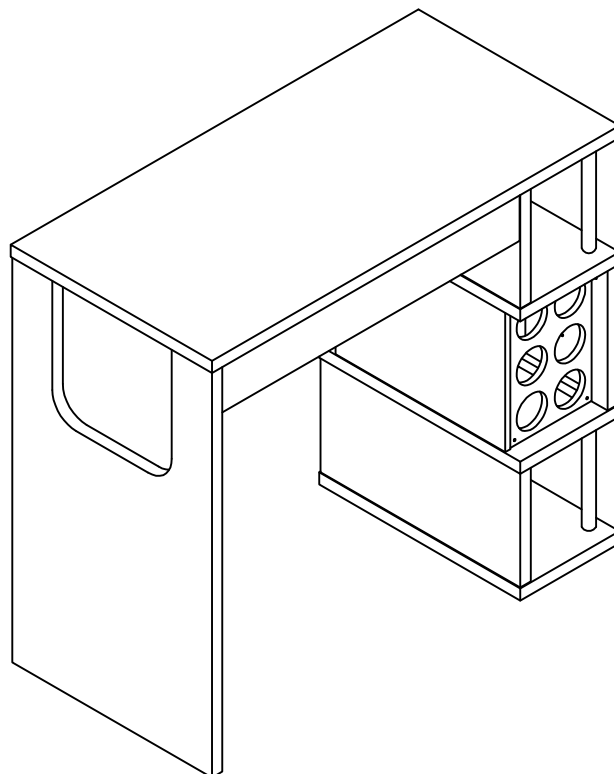
PLEASE READ BEFORE ASSEMBLING!

Tip #1: Make sure you've taken all the pieces and hardware out of its packaging before discarding the box.

Tip #2: Using page 2 and/or page 3 of instruction manual make sure all pieces and hardware are accounted for.

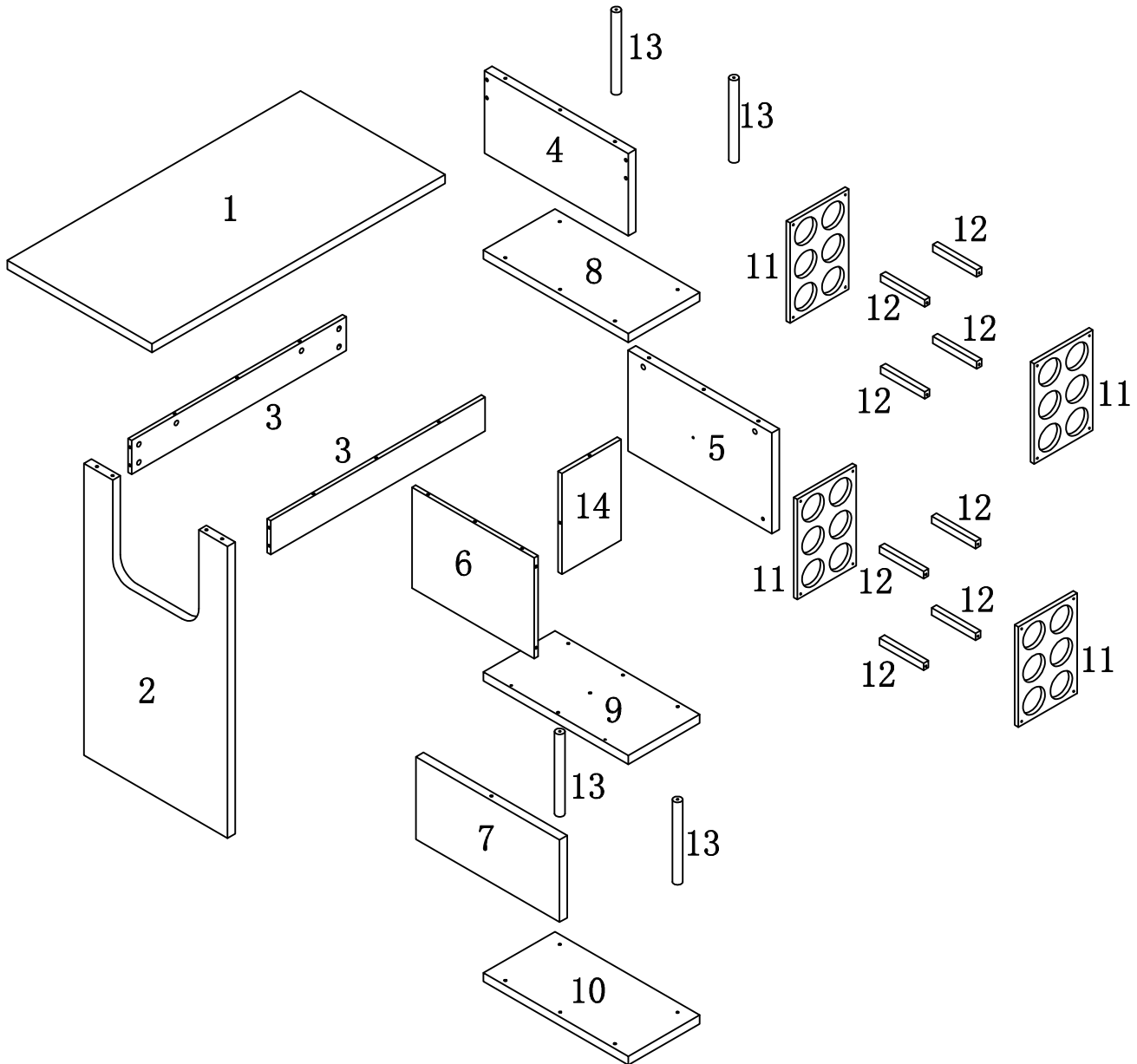
Tip #3: Read manual before assembling, it helps!

ITEM#: 182335



PARTS IDENTIFICATION




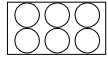



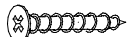

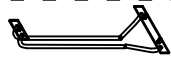

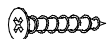
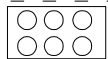

ITEM#: 182335



(1)	1pc	(8)	1pc
(2)	1pc	(9)	1pc
(3)	2pcs	(10)	1pc
(4)	1pc	(11)	4pcs
(5)	1pc	(12)	8pcs
(6)	1pc	(13)	4pcs
(7)	1pc	(14)	1pc

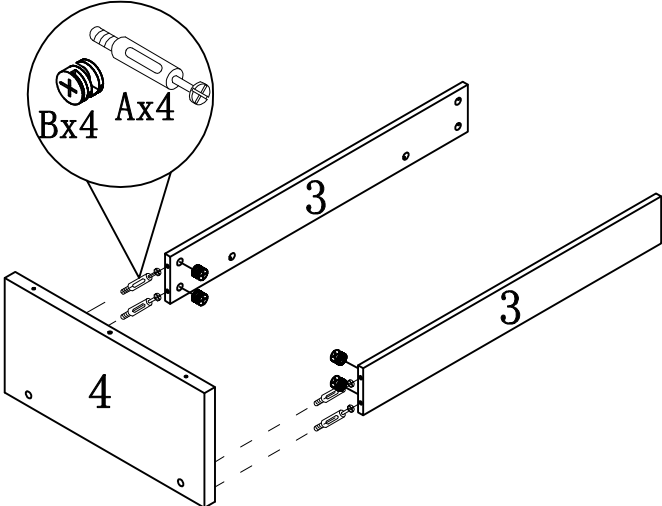
HARDWARE IDENTIFICATION

ITEM#: 182335

A		L29	24pcs
B		φ15	24pcs
C		φ8x25	16pcs
D		φ22	8pcs
E		φ7x58	6pcs
F		φ8xφ16x2	10pcs
G		M6x35	4pcs
H		φ4x45	2pcs
I		φ16	6pcs
J		L250	3pcs
K		φ4x16	9pcs
L		φ4x35	16pcs
M		φ16	8pcs
N		Glue: For securing please apply to wood dowel first before inserting into panel	1pc

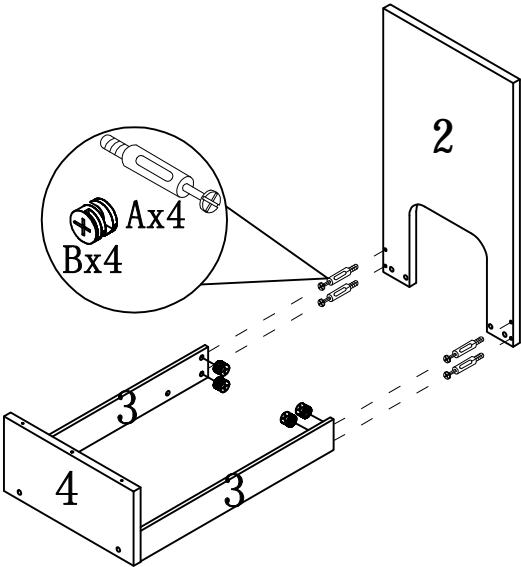
ASSEMBLY INSTRUCTION

ITEM#: 182335



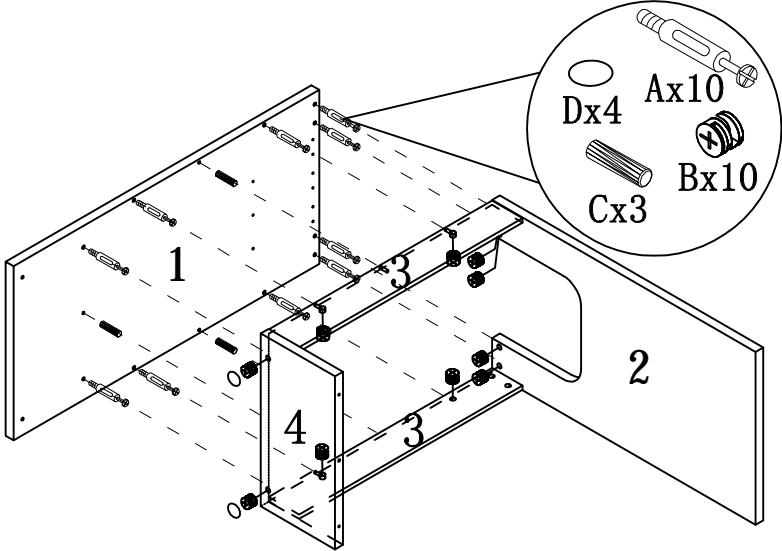
STEP1

STEP2



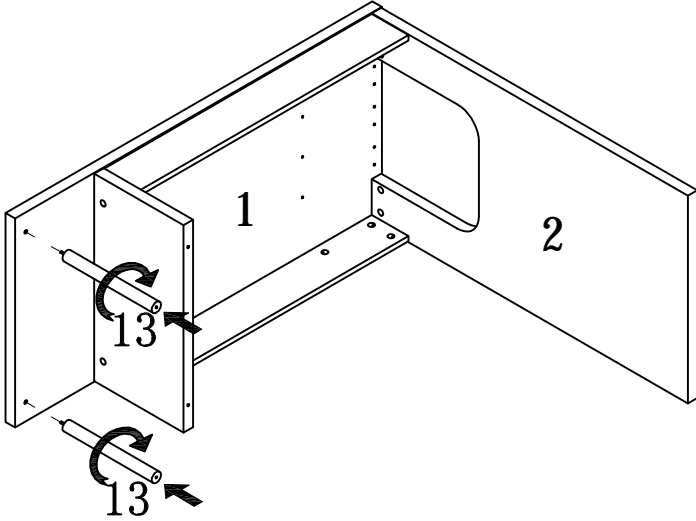
ASSEMBLY INSTRUCTION

ITEM#: 182335



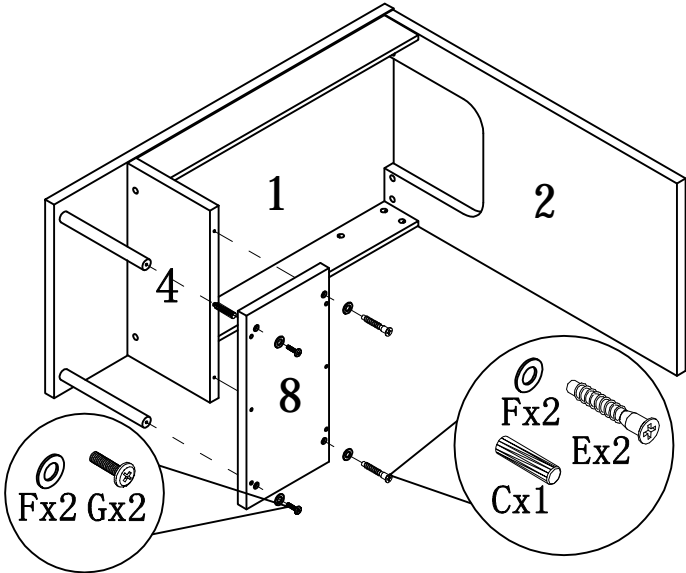
STEP3

STEP4



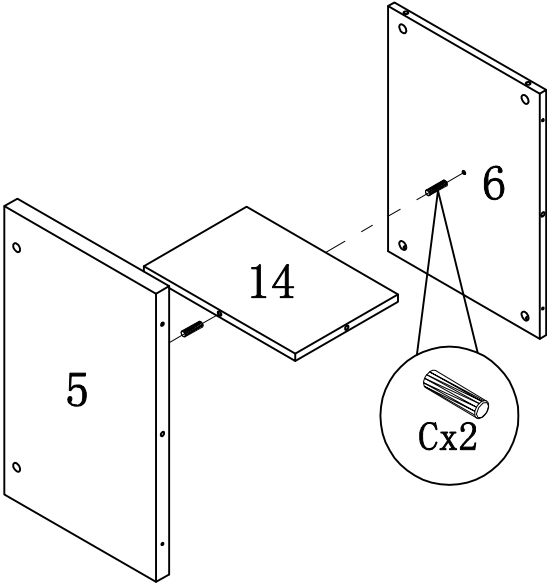
ASSEMBLY INSTRUCTION

ITEM#: 182335



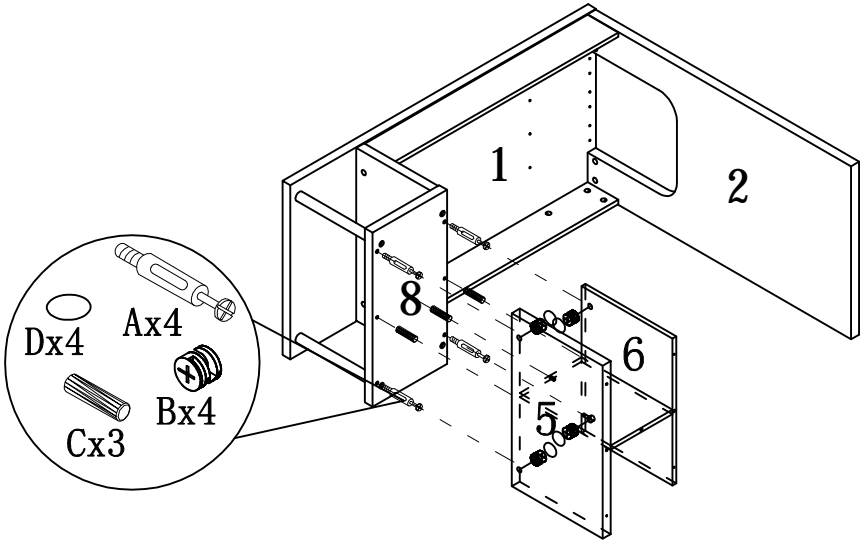
STEP5

STEP6



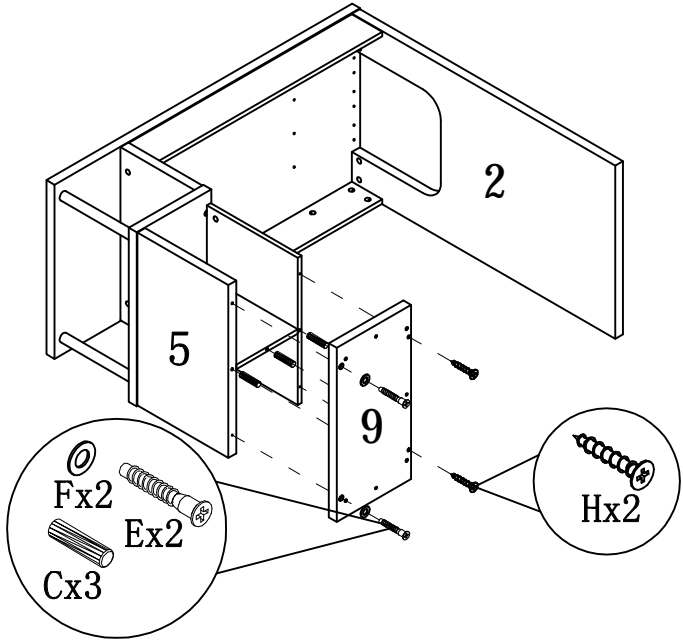
ASSEMBLY INSTRUCTION

ITEM#: 182335



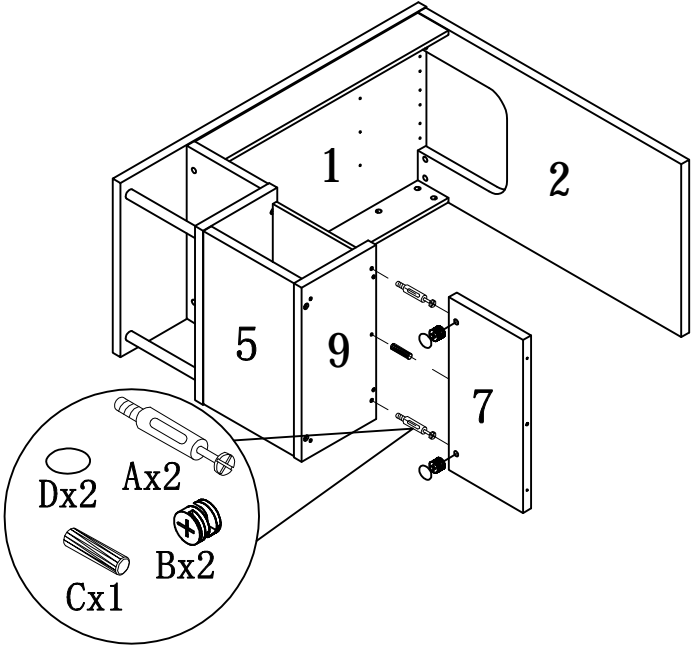
STEP 7

STEP 8



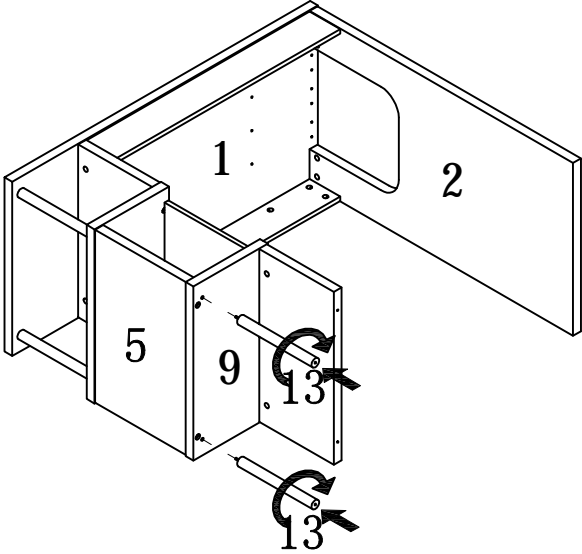
ASSEMBLY INSTRUCTION

ITEM#: 182335



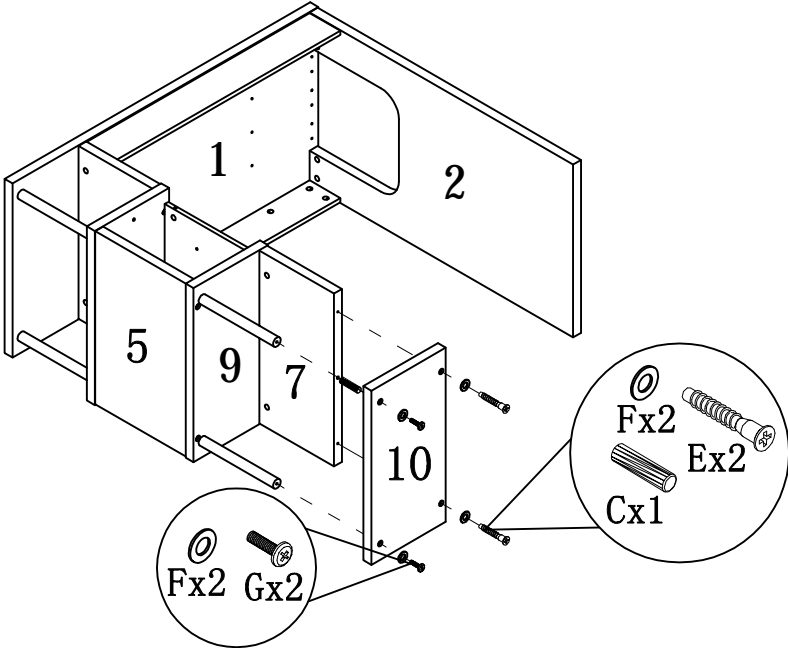
STEP9

STEP10



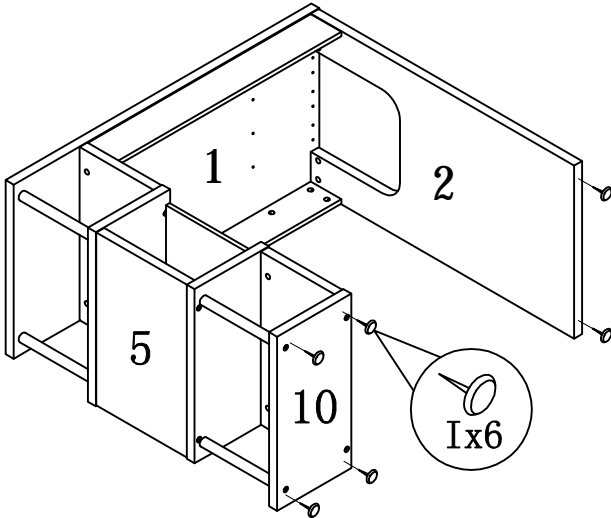
ASSEMBLY INSTRUCTION

ITEM#: 182335



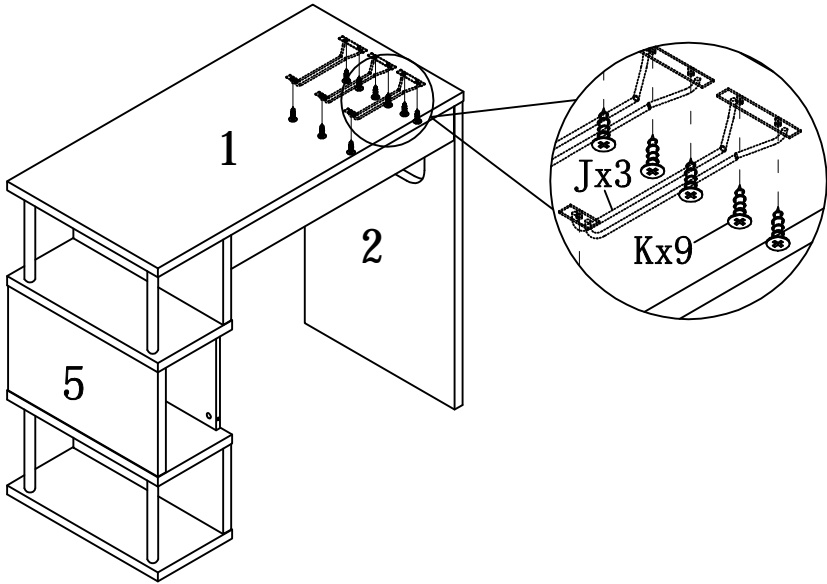
STEP11

STEP12



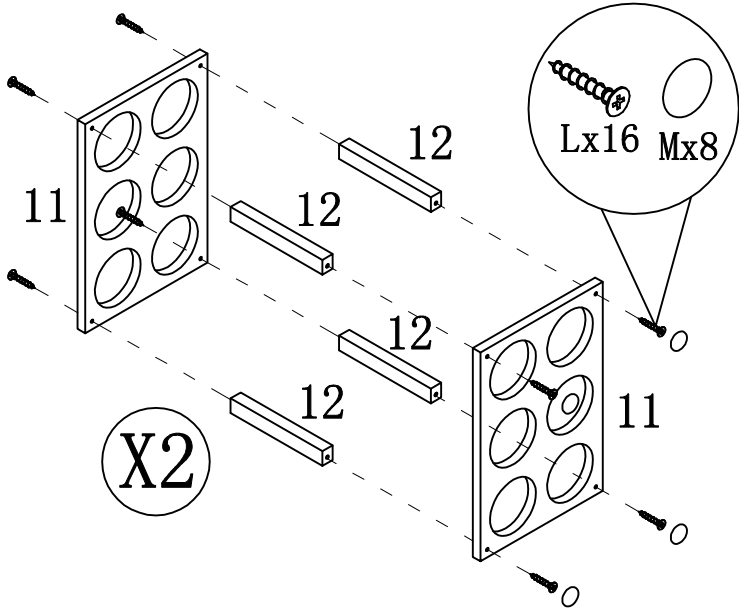
ASSEMBLY INSTRUCTION

ITEM#: 182335



STEP13

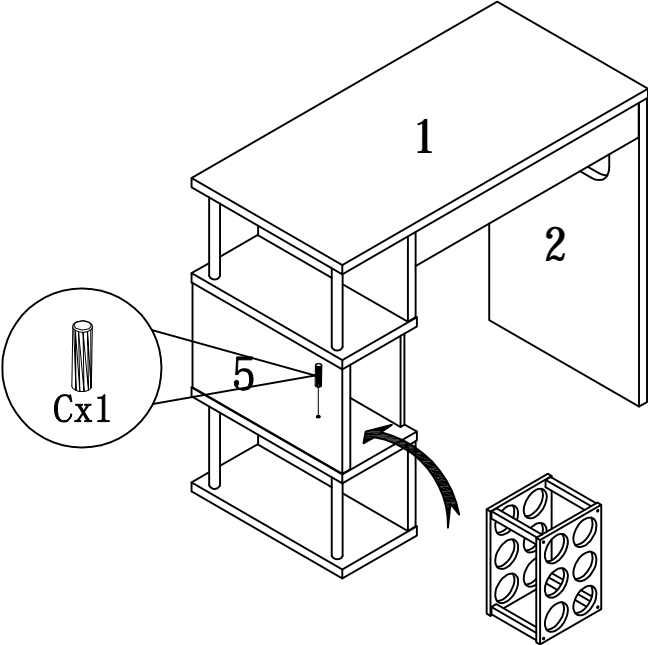
STEP14



X2

ASSEMBLY INSTRUCTION

ITEM#: 182335



STEP15

STEP16

