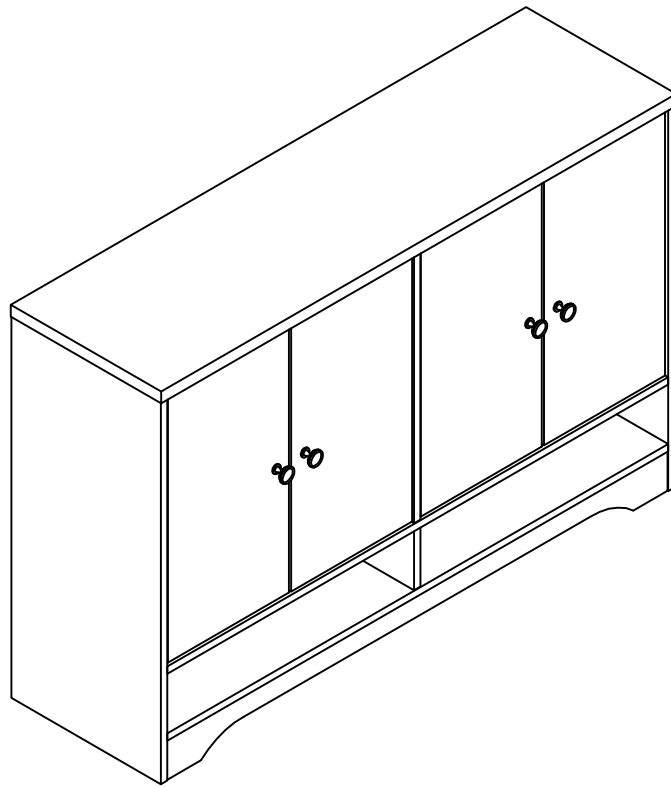


ASSEMBLY INSTRUCTION

ITEM#: 192478



ASSEMBLY INSTRUCTION

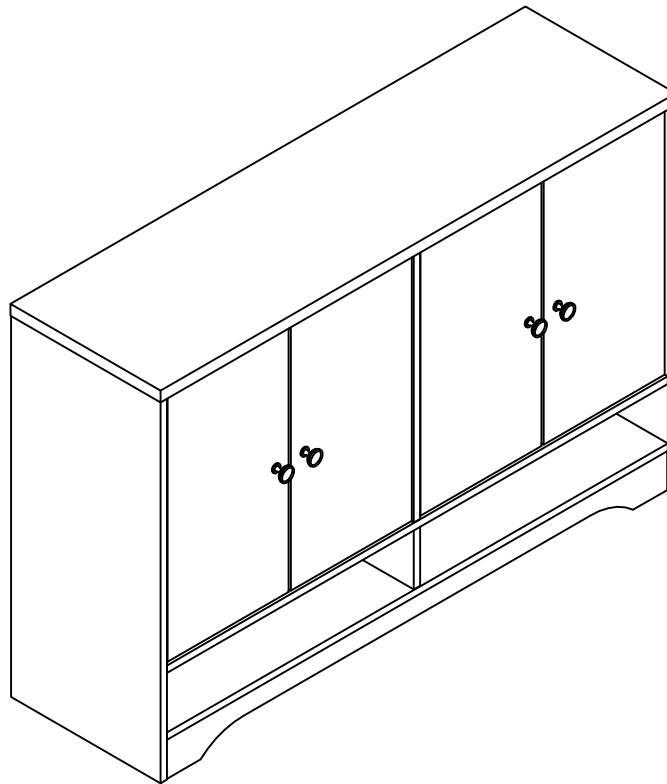
PLEASE READ BEFORE ASSEMBLING!

Tip #1: Make sure you've taken all the pieces and hardware out of its packaging before discarding the box. Assembly on top of flattened box/blanket is recommended.

Tip #2: Using page 2 and/or page 3 of instruction manual make sure all pieces and hardware are accounted for.

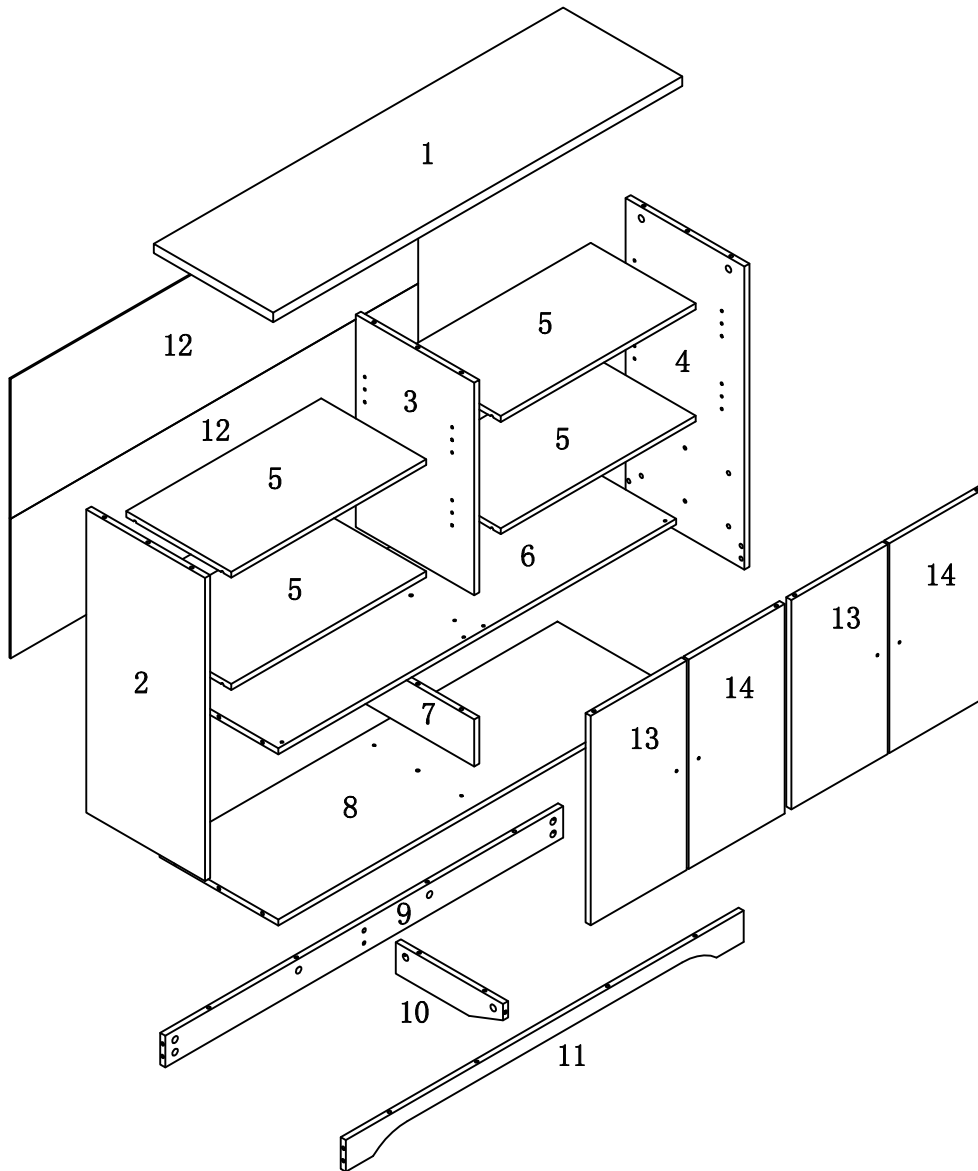
Tip #3: Note position of all holes on each panel during assembly.

ITEM#: 192478



PARTS IDENTIFICATION

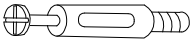



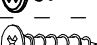
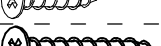



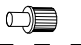
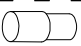
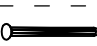






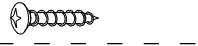
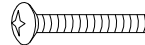

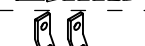
ITEM#: 192478



(1)	1pc	(6)	1pc	(11)	1pc
(2)	1pc	(7)	1pc	(12)	2pcs
(3)	1pc	(8)	1pc	(13)	2pcs
(4)	1pc	(9)	1pc	(14)	2pcs
(5)	4pcs	(10)	1pc		

HARDWARE IDENTIFICATION

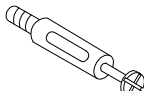

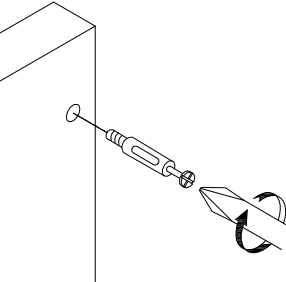
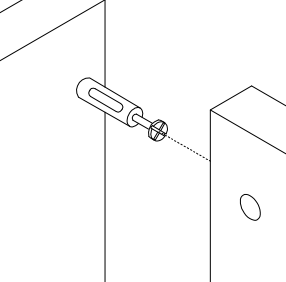
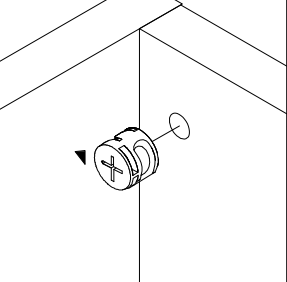
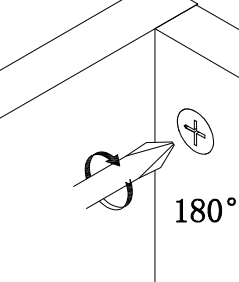
ITEM#: 192478

A		L29	30pcs
B		ø15	30pcs
C		ø8x25	17pcs
D		ø3x14	8pcs
E		ø3x16	8pcs
F		ø4x40	4pcs
G			4pcs
H			4pcs
I			4pcs
J		ø5	16pcs
K			42pcs
L		ø22	8pcs
M		ø16	8pcs
N			4pcs
O			4pcs
P		M4x22	4pcs
Q		197×5×1	1pc
R		ø4x25	1pc
S		ø5x40	1pc
T		ø8 x 40	1pc
U		12×12×1	2pcs
			1pc

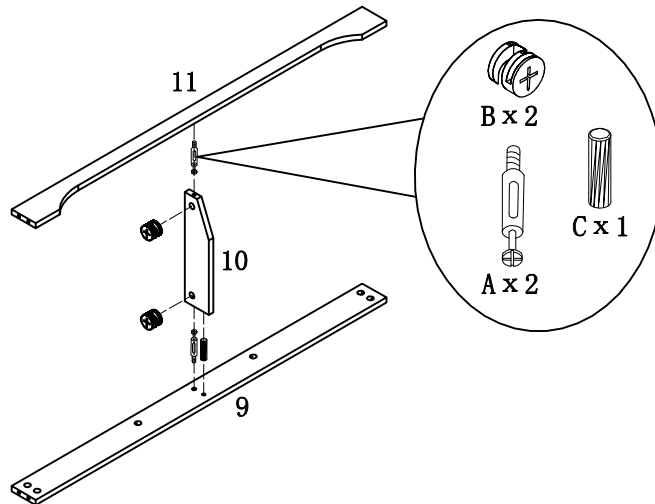
Glue: For securing please apply to wood dowel first before inserting into panel

ASSEMBLY INSTRUCTION

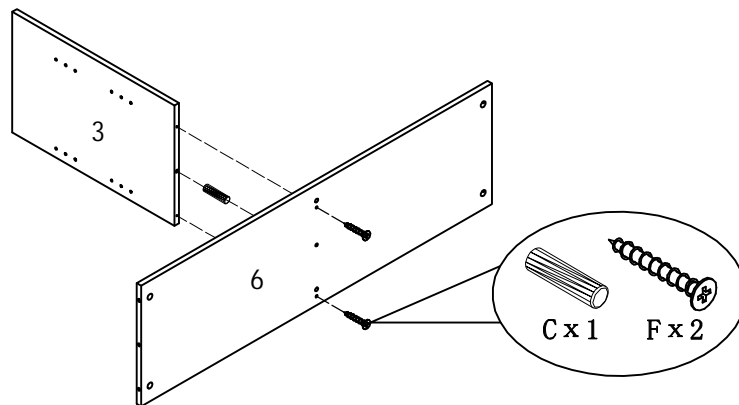
ITEM#: 192478

HOW TO	1	2	3	4
 Cam Bolt  Cam Lock				
	1. Screw Cam Bolt into panel.	2. Insert Cam Bolt into bolt hole of joining panel.	3. Insert Cam Lock. arrow facing bolt.	4. Gently turn Cam Lock clockwise to lock position.

STEP 1

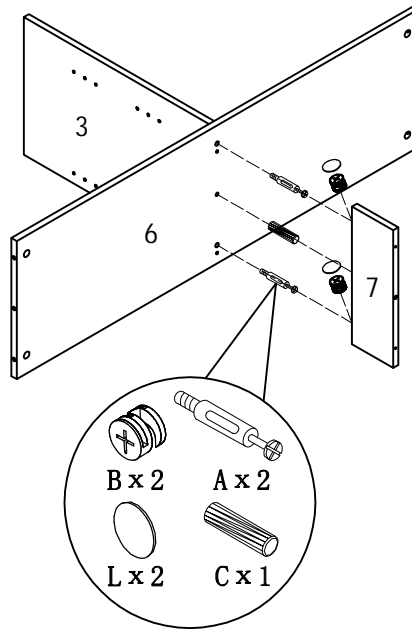


STEP 2



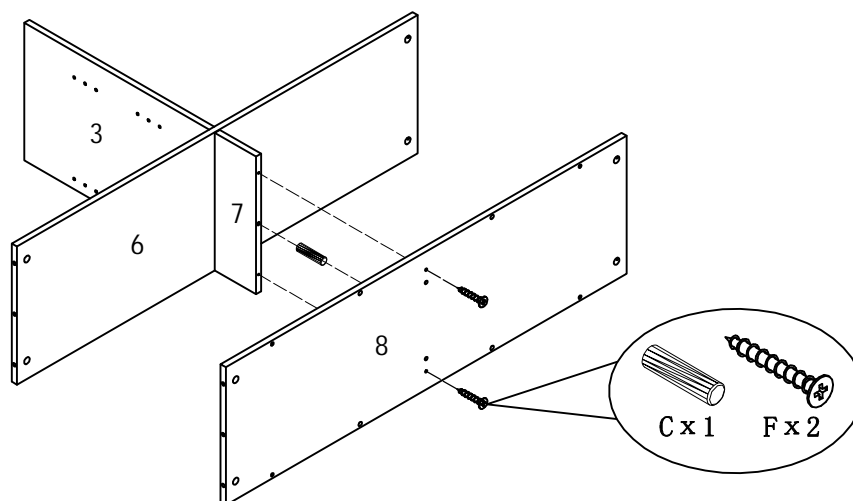
ASSEMBLY INSTRUCTION

ITEM#: 192478



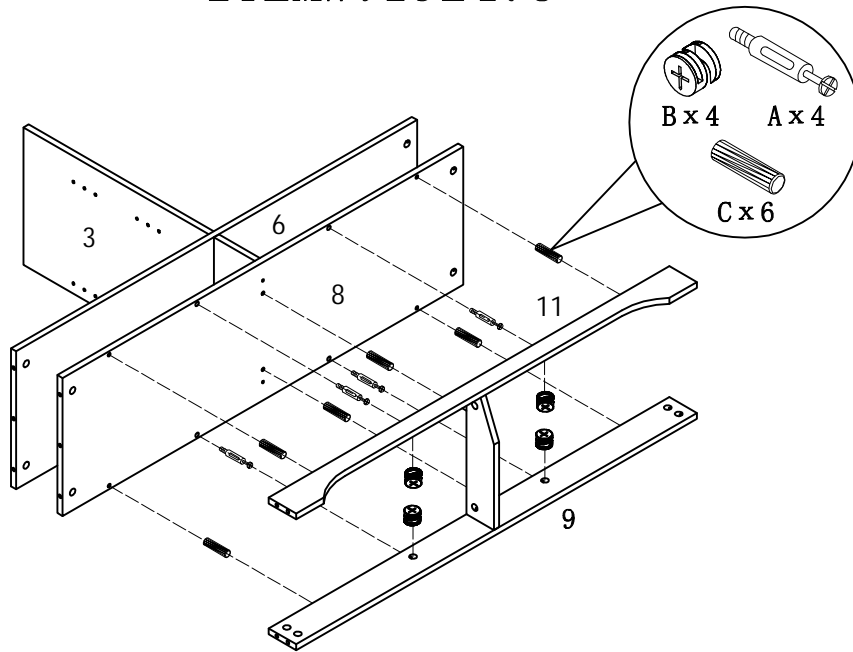
STEP3

STEP4



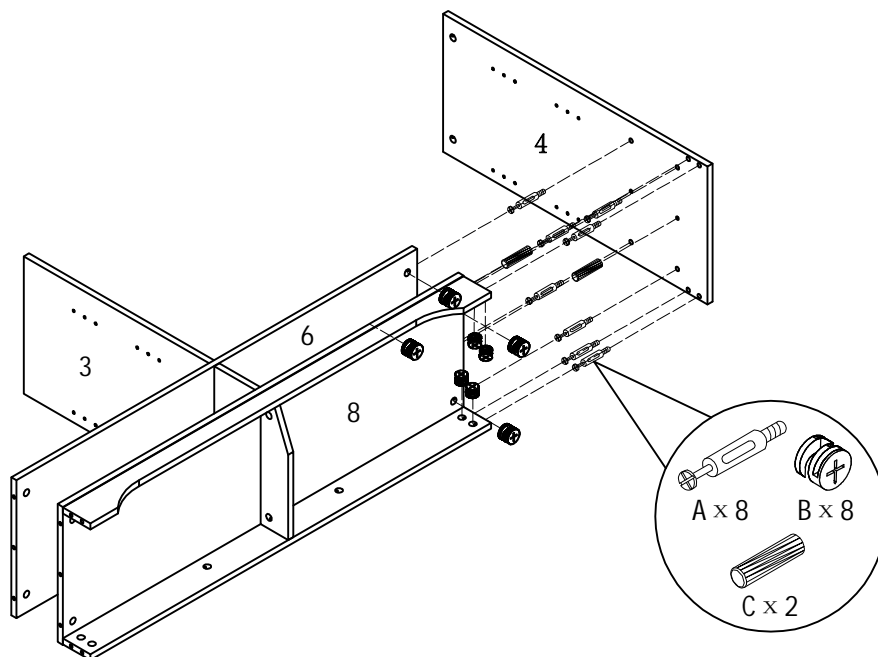
ASSEMBLY INSTRUCTION

ITEM#: 192478



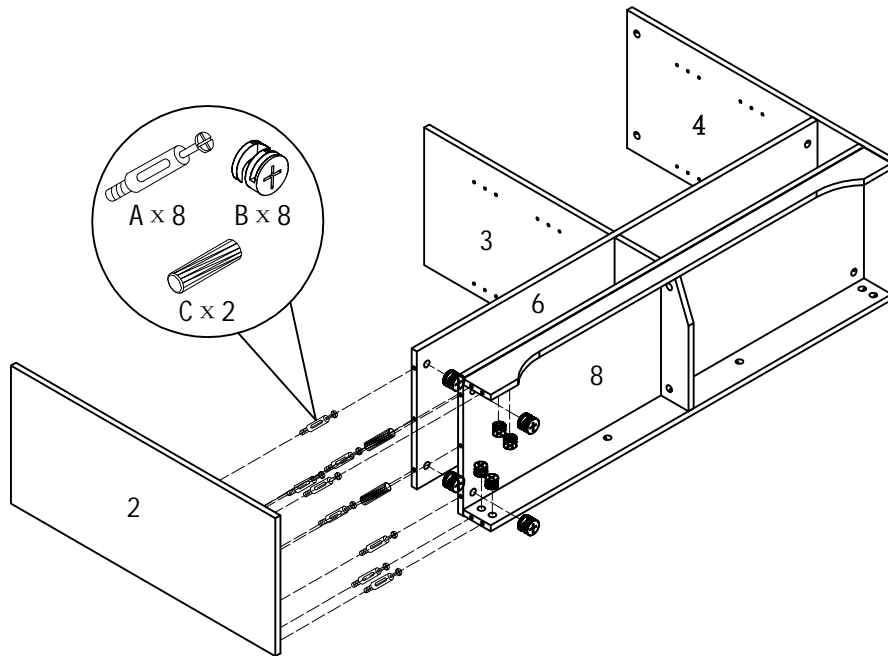
STEP5

STEP6



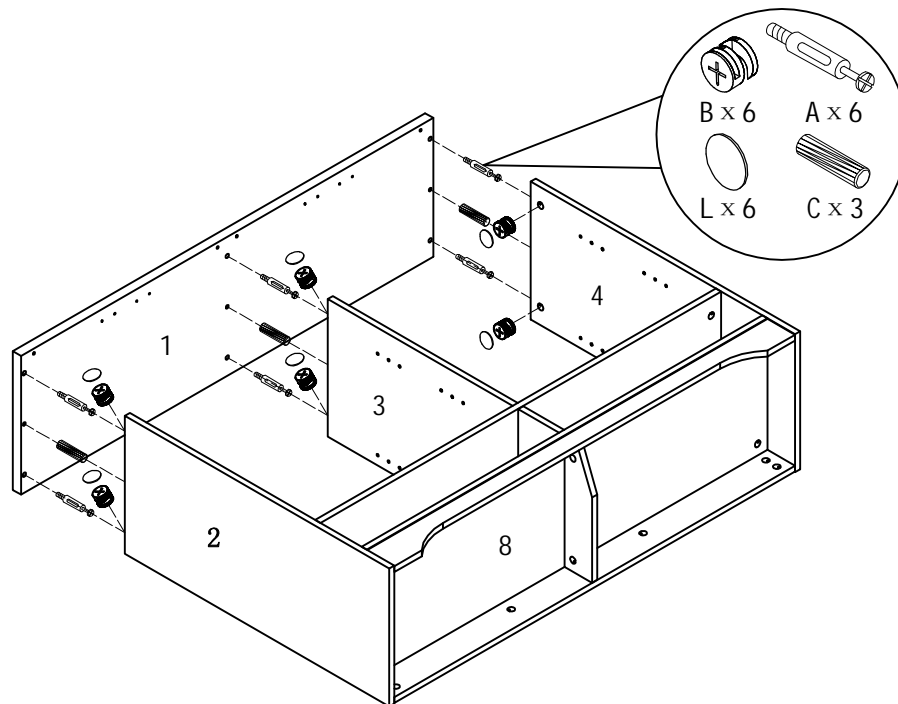
ASSEMBLY INSTRUCTION

ITEM#: 192478



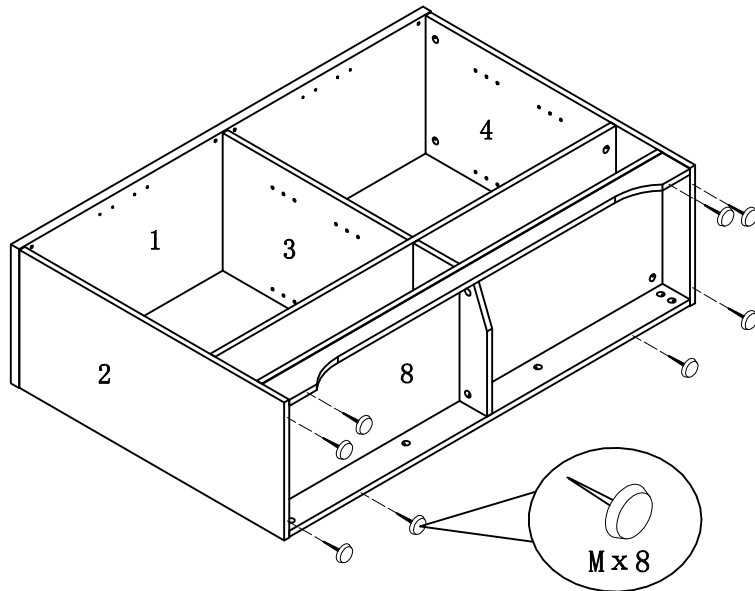
STEP 7

STEP 8



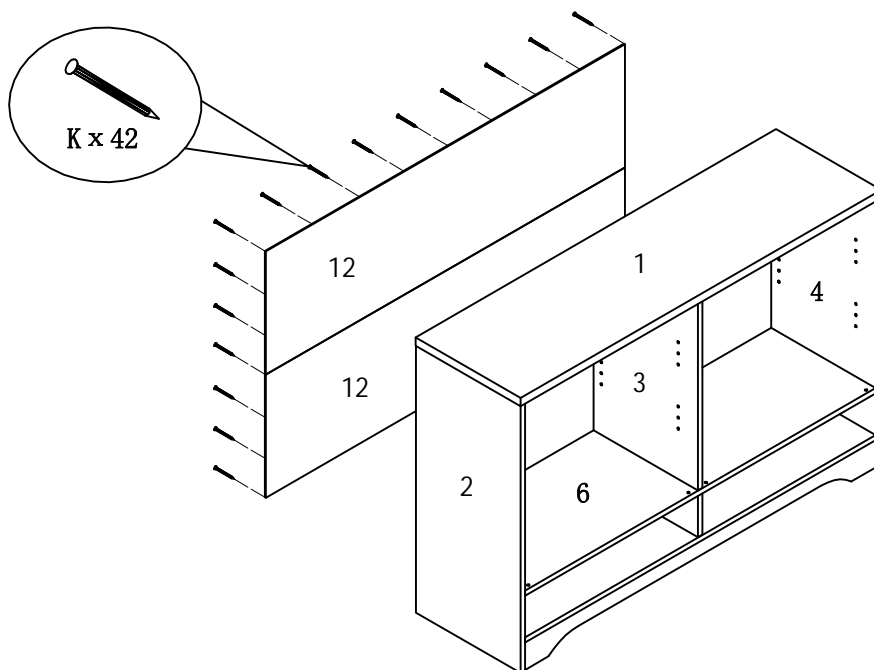
ASSEMBLY INSTRUCTION

ITEM#: 192478



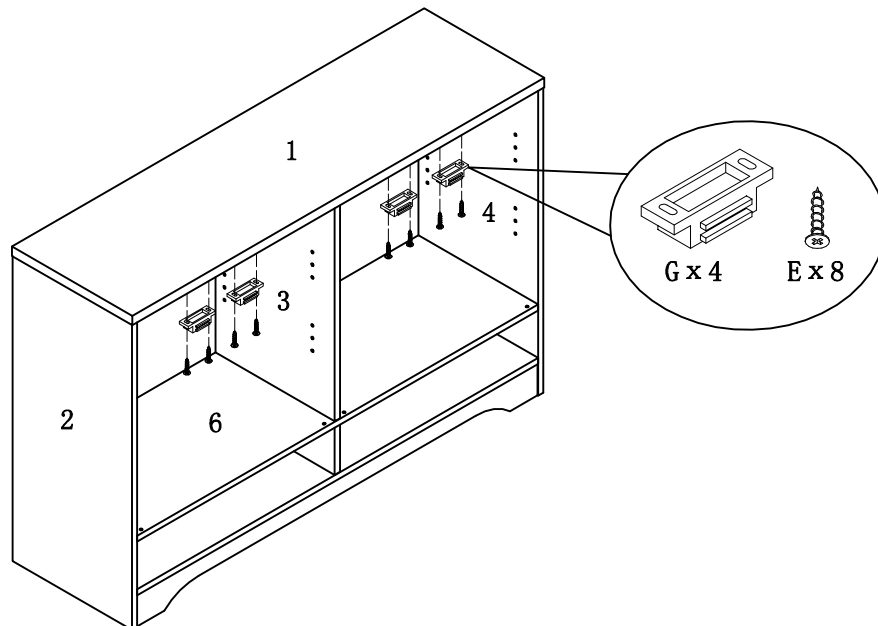
STEP9

STEP10



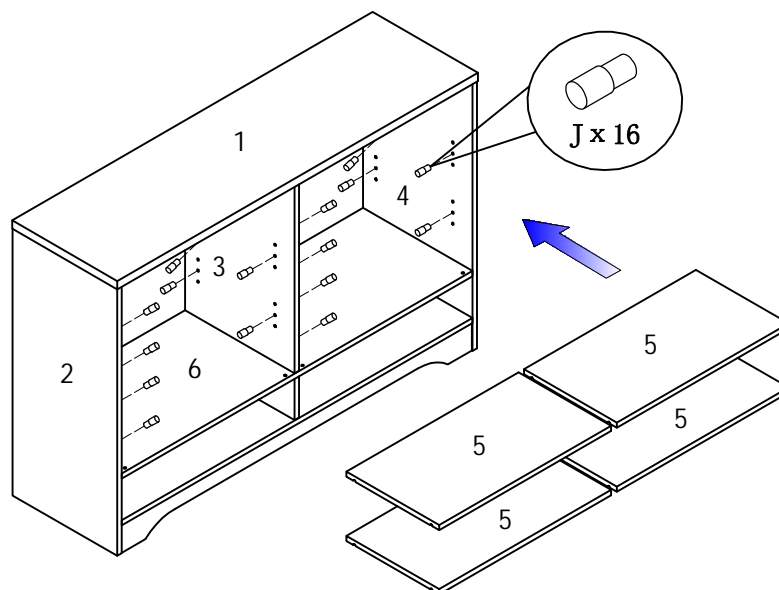
ASSEMBLY INSTRUCTION

ITEM#: 192478



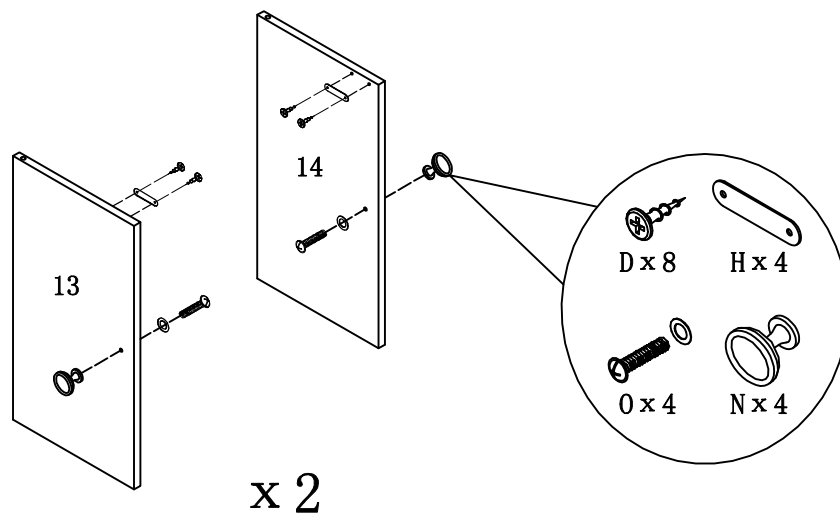
STEP 11

STEP 12



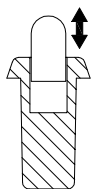
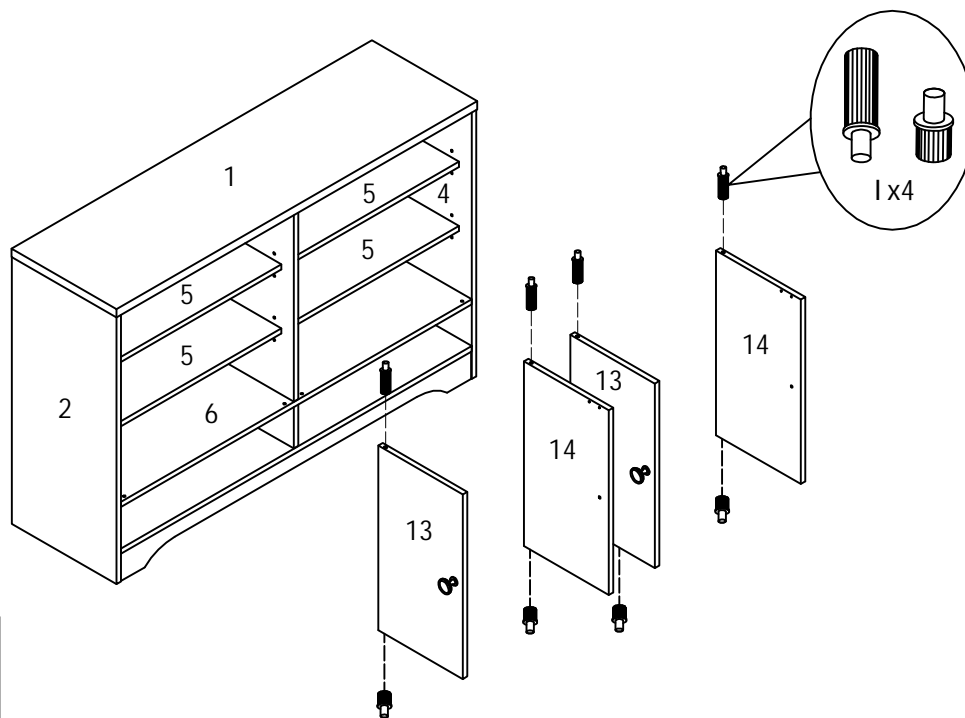
ASSEMBLY INSTRUCTION

ITEM#: 192478



STEP 13

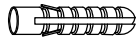
STEP 14



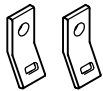
ANTI-TIPPING STRAP INSTRUCTION

HARDWARE (INCLUDED) :

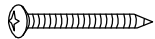
TOOLS NEEDED (NOT INCLUDED) :



DRYWALL ANCHOR $\phi 8 \times 40$ X 1PC



METAL BRACKETS $12 \times 12 \times 1$ X 2PCS



DRYWALL SCREW $\phi 5 \times 40$ X 1PC



STRAP $197 \times 5 \times 1$ X 1PC



FLATHEAD SCREW $\phi 4 \times 25$ X 1PC



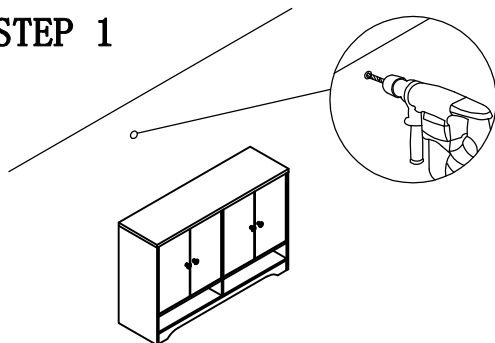
DRILL & DRILL BIT



LIGHT HAMMER

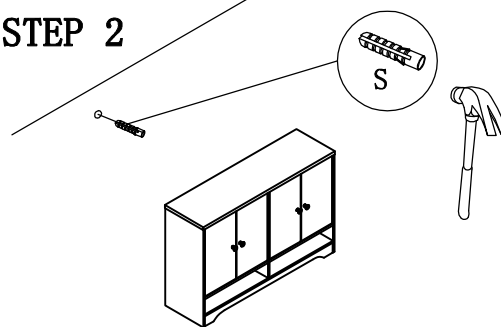
Note: Hardware included only compatible with standard drywalls.

STEP 1



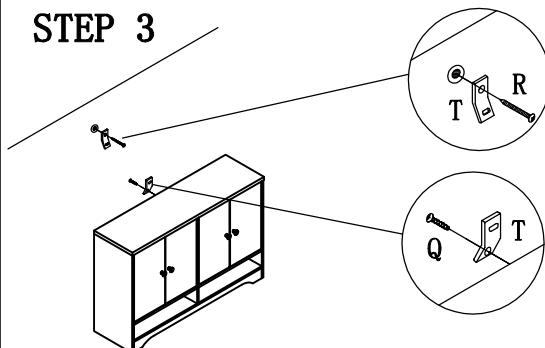
1. Find spot on wall 1" below top of item.
2. Using a drill bit slightly thinner than anchor, drill hole into drywall.

STEP 2



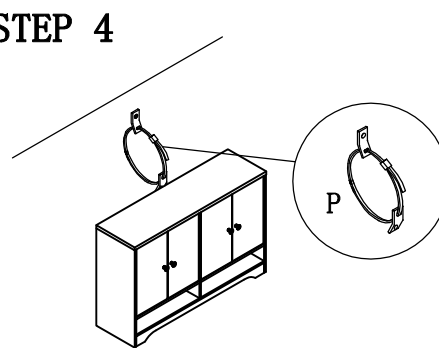
1. Use a light hammer to tap anchor into hole.
2. Anchor should fit snugly. If hole is too small, drill again to increase hole size. Do not force anchor into wall.

STEP 3



1. Insert drywall screw into metal bracket and into drywall anchor.
2. Insert flathead screw into second metal bracket and into back of item, along top edge.

STEP 4



1. Insert strap thru bracket attached to wall, then thru bracket on item, and into head of strap.
 2. pull lightly til strap stops.
- Assembly is complete.