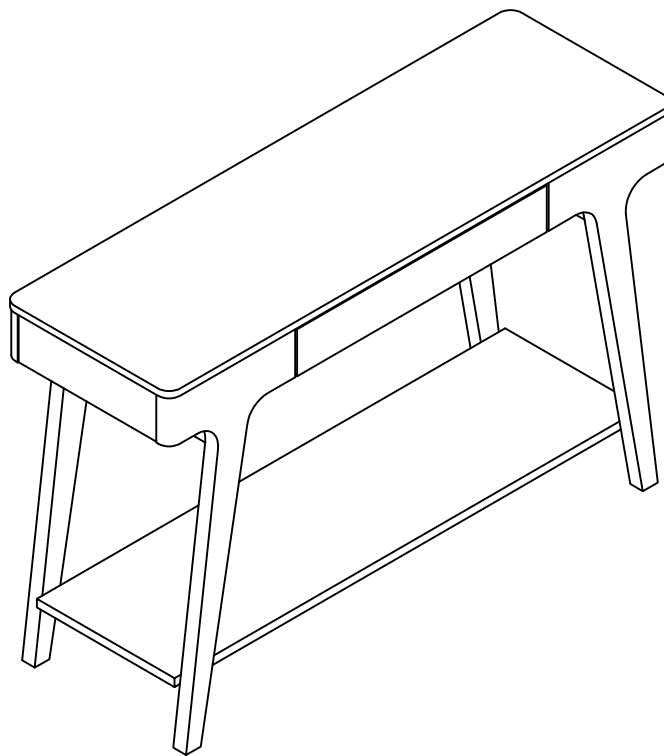


ASSEMBLY INSTRUCTION

ITEM#: 202826



ASSEMBLY INSTRUCTION

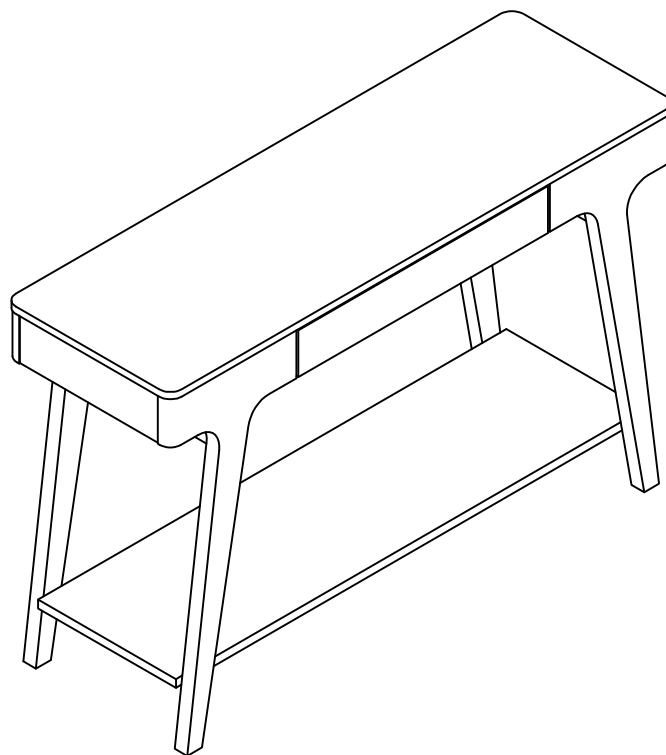
PLEASE READ BEFORE ASSEMBLING!

Tip #1: Make sure you've taken all the pieces and hardware out of its packaging before discarding the box.

Tip #2: Using page 2 and/or page 3 of instruction manual make sure all pieces and hardware are accounted for.

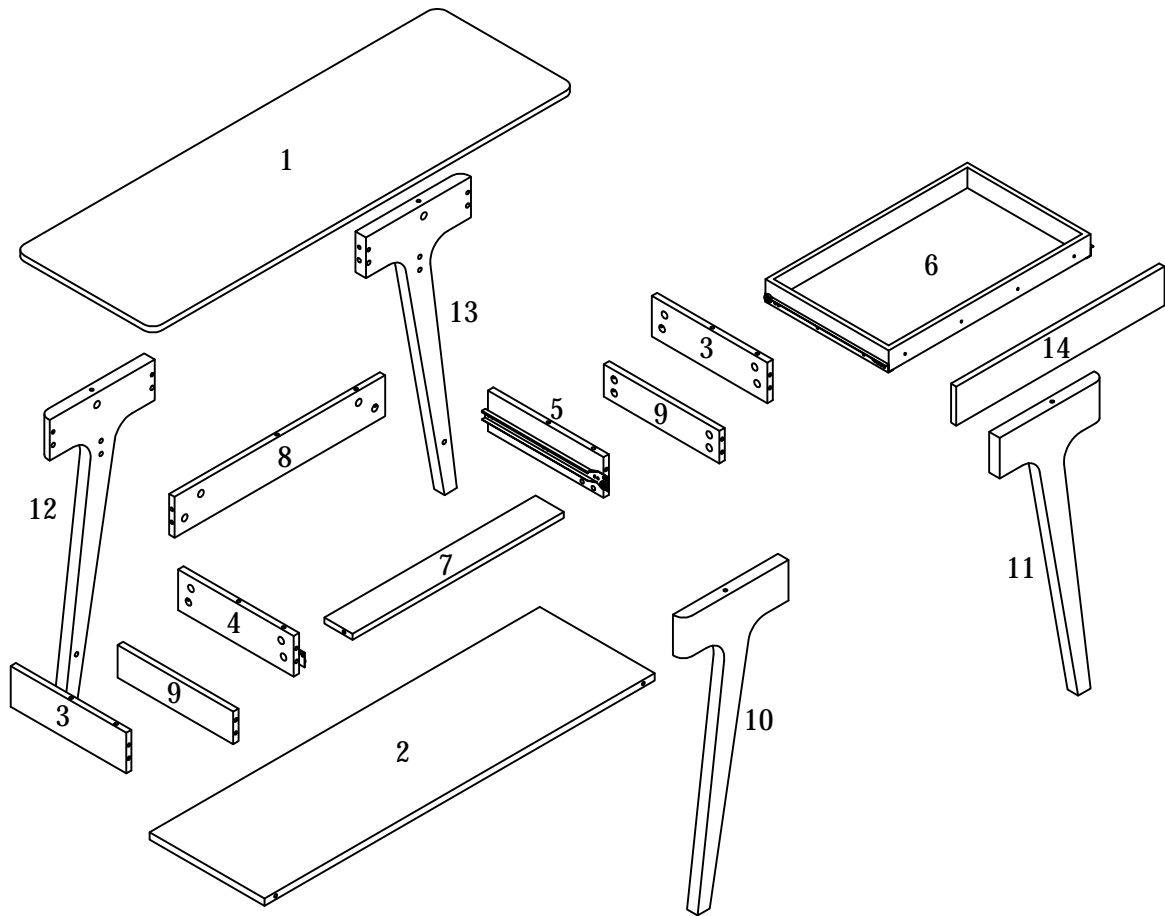
Tip #3: Read manual before assembling, it helps!

ITEM#: 202826



PARTS IDENTIFICATION

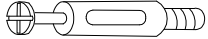


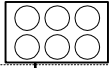



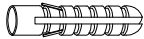

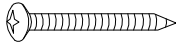
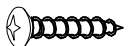

ITEM#: 202826



(1)	1pc	(7)	1pc	(13)	1pc
(2)	1pc	(8)	1pc	(14)	1pc
(3)	2pcs	(9)	2pcs		
(4)	1pc	(10)	1pc		
(5)	1pc	(11)	1pc		
(6)	1pc	(12)	1pc		

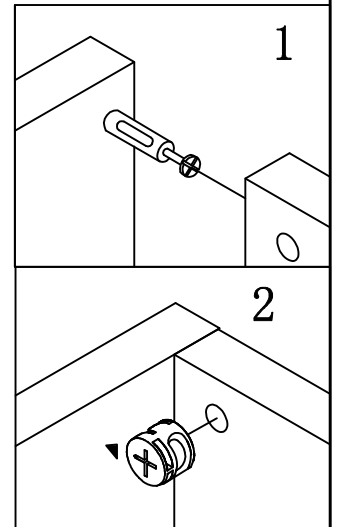
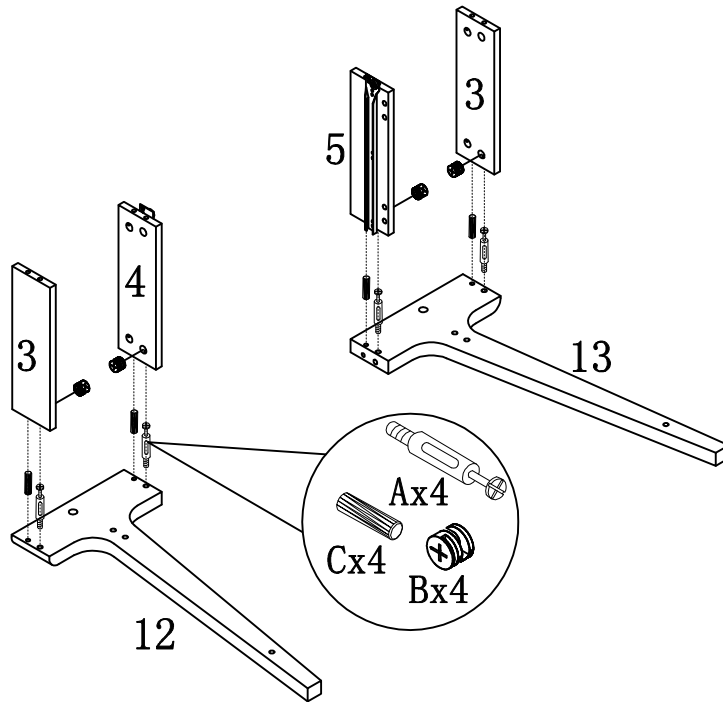
HARDWARE IDENTIFICATION

ITEM#: 202826

A		L29	40pcs
B		Ø15	40pcs
C		Ø8x25	15pcs
D		Ø22	8pcs
E		Ø16	4pcs
F		Ø4x25	4pcs
G		197x5x1	1pc
H		Ø8x40	1pc
I		12x12x1	2pc
J		Ø5x40	1pc
K		Ø4x25	1pc
L		Glue: For securing please apply to wood dowel first before inserting into panel	1pc

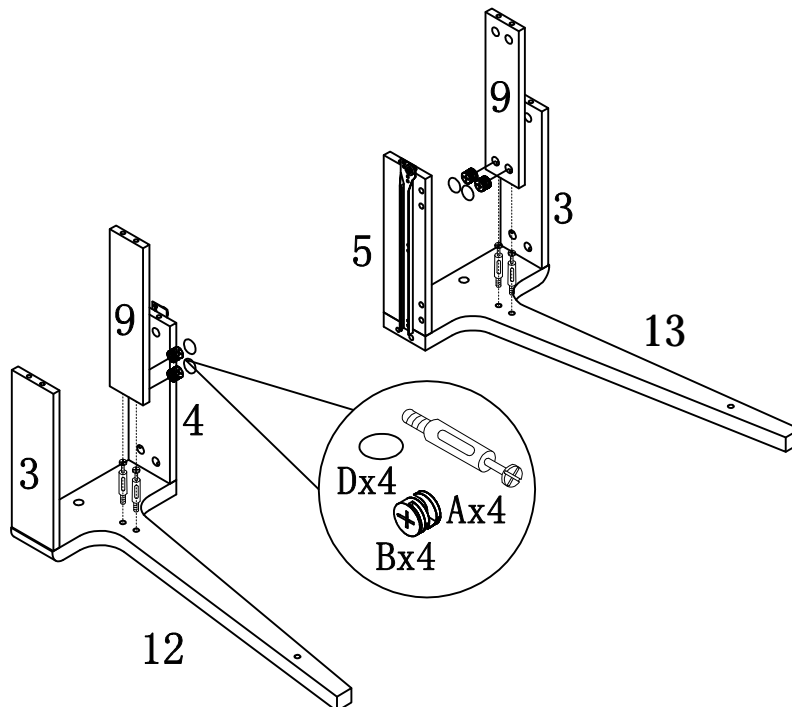
ASSEMBLY INSTRUCTION

ITEM#: 202826



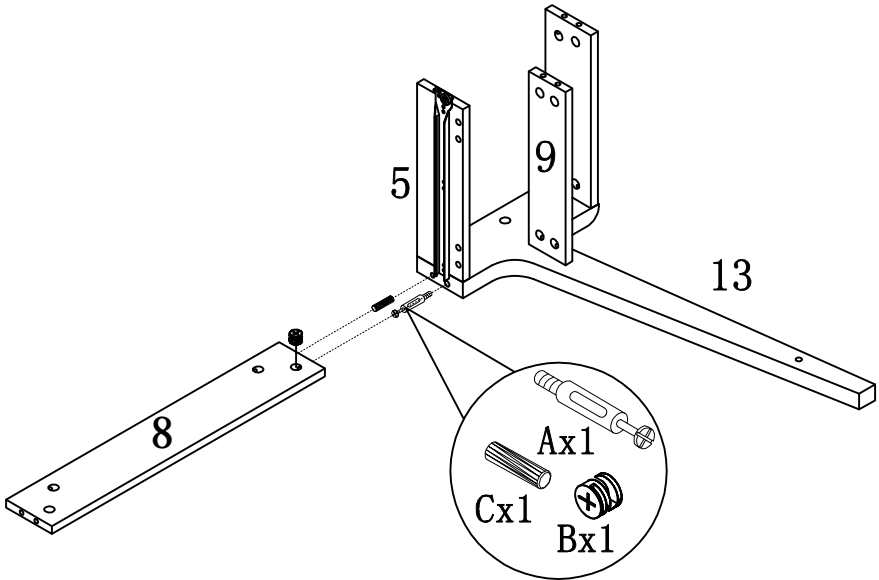
STEP 1

STEP 2



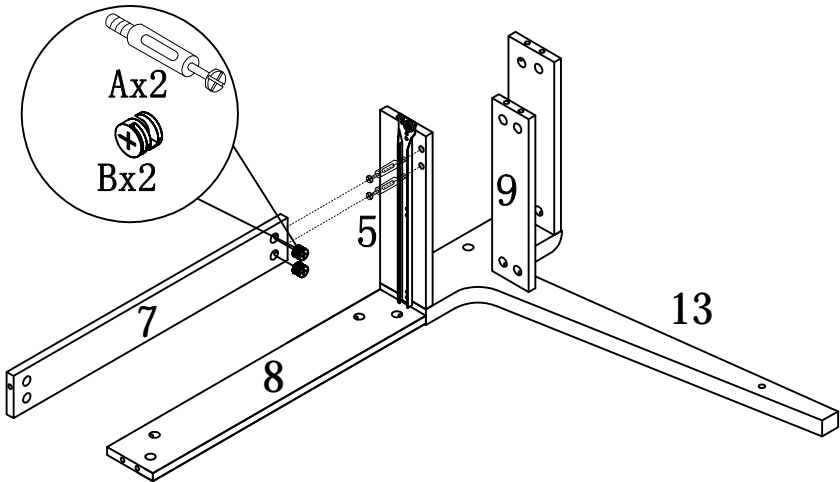
ASSEMBLY INSTRUCTION

ITEM#: 202826



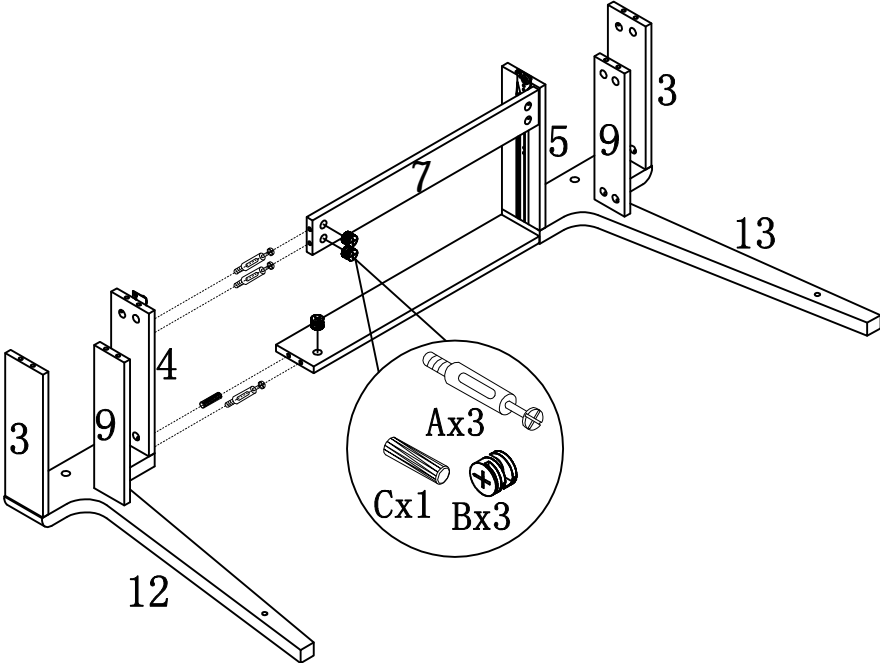
STEP3

STEP4



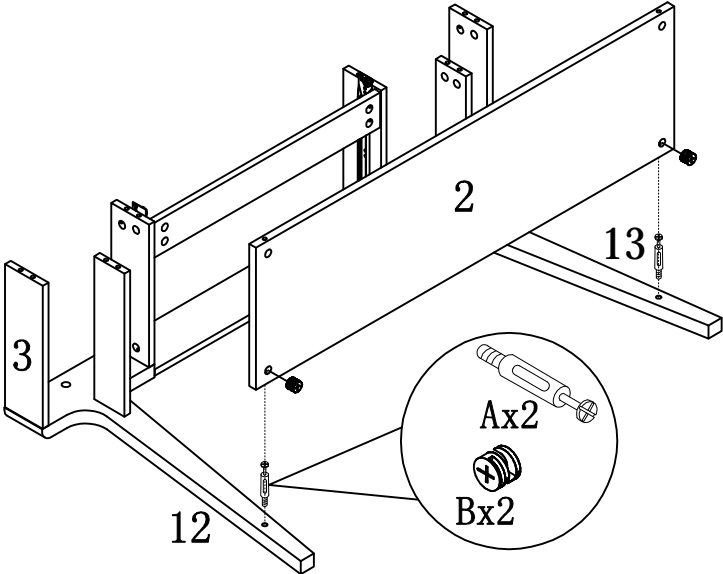
ASSEMBLY INSTRUCTION

ITEM#: 202826



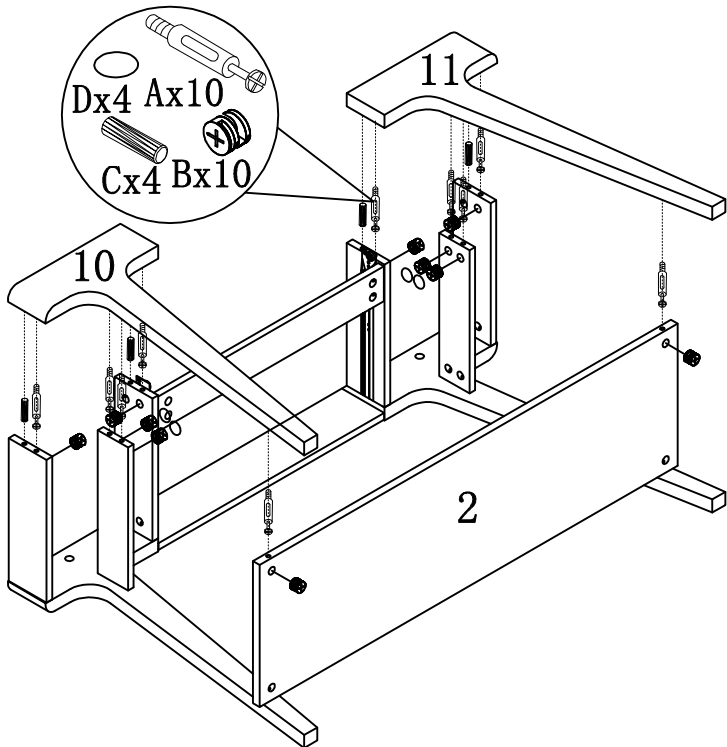
STEP5

STEP6



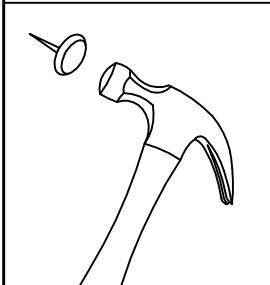
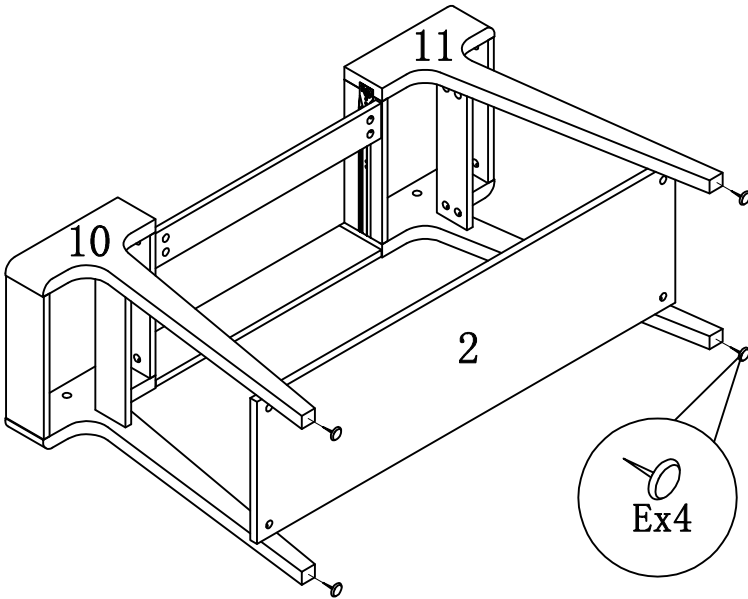
ASSEMBLY INSTRUCTION

ITEM#: 202826



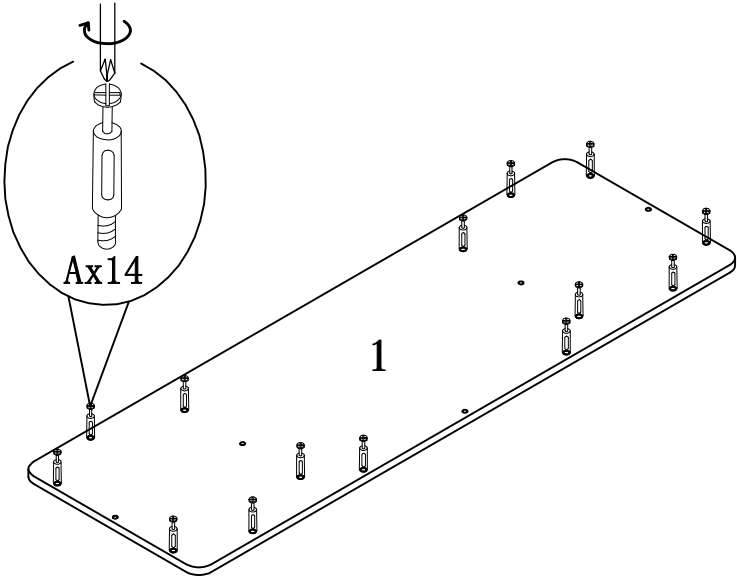
STEP7

STEP8



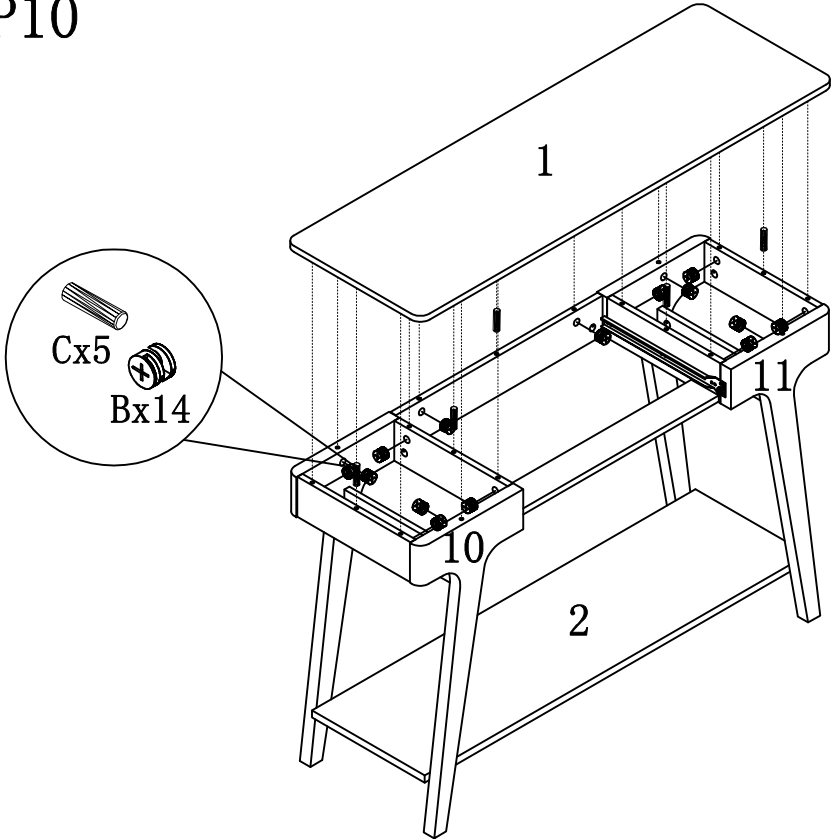
ASSEMBLY INSTRUCTION

ITEM#: 202826



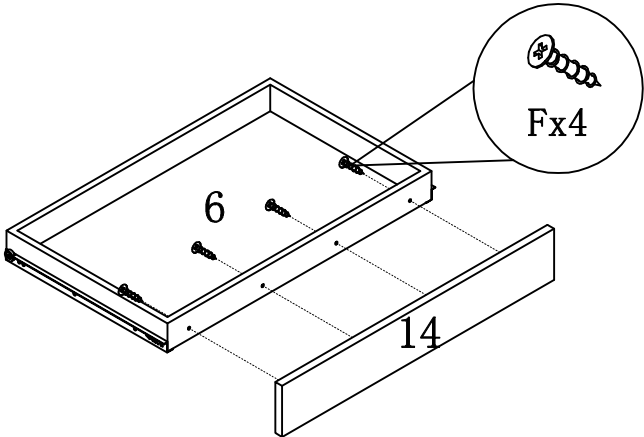
STEP9

STEP10



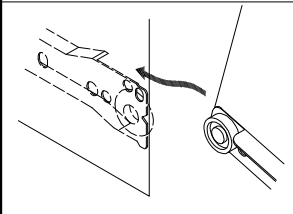
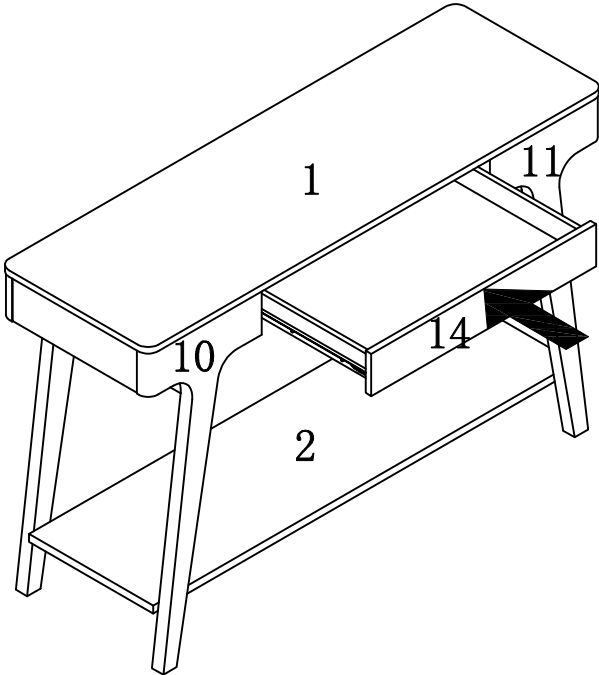
ASSEMBLY INSTRUCTION

ITEM#: 202826



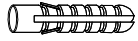
STEP 11

STEP 12

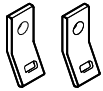


ANTI-TIPPING STRAP INSTRUCTION

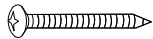
HARDWARE (INCLUDED) :



DRYWALL ANCHOR $\phi 8 \times 40$ X 1PC



METAL BRACKETS $12 \times 12 \times 1$ X 2PCS



DRYWALL SCREW $\phi 5 \times 40$ X 1PC

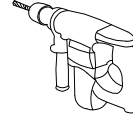


STRAP $197 \times 5 \times 1$ X 1PC



FLATHEAD SCREW $\phi 4 \times 25$ X 1PC

TOOLS NEEDED (NOT INCLUDED) :



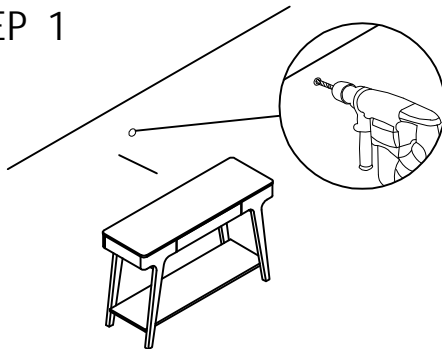
DRILL & DRILL BIT



LIGHT HAMMER

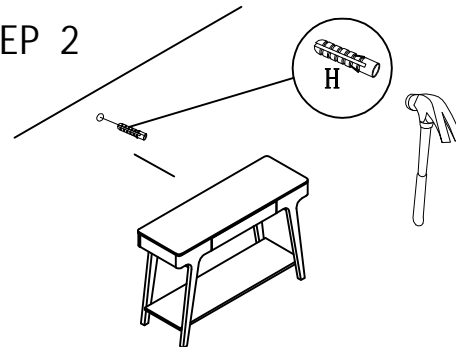
Note: Hardware included only compatible with standard drywalls.

STEP 1



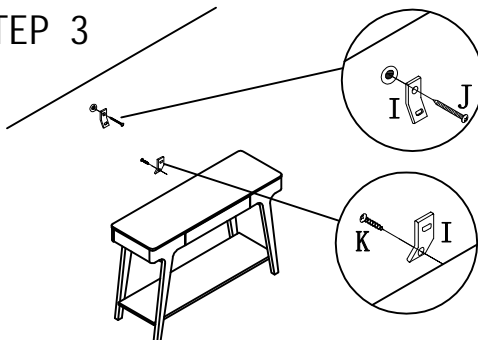
1. Find spot on wall 1" below top of item.
2. Using a drill bit slightly thinner than anchor, drill hole into drywall.

STEP 2



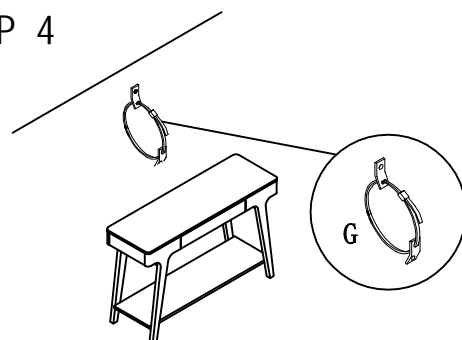
1. Use a light hammer to tap anchor into hole.
2. Anchor should fit snugly. If hole is too small, drill again to increase hole size. Do not force anchor into wall.

STEP 3



1. Insert drywall screw into metal bracket and into drywall anchor.
2. Insert flathead screw into second metal bracket and into back of item along top edge.

STEP 4



1. Insert strap thru bracket attached to wall, then thru bracket on item, and into head of strap.
 2. pull lightly til strap stops.
- Assembly is complete.