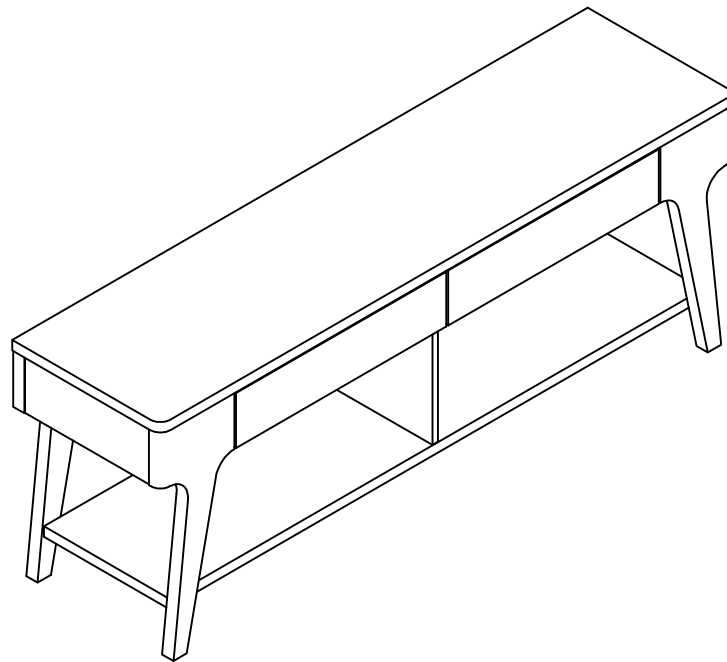


# ASSEMBLY INSTRUCTION

---

ITEM#: 202827



# ASSEMBLY INSTRUCTION

---

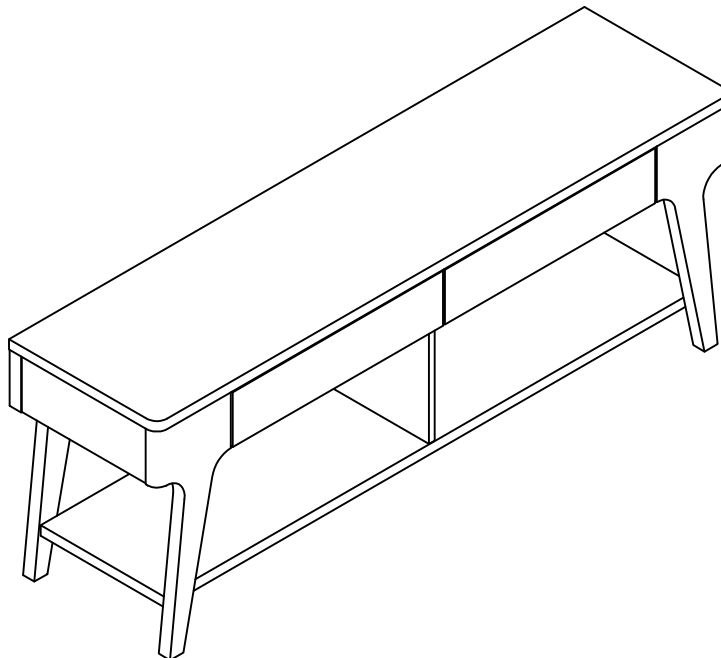
## PLEASE READ BEFORE ASSEMBLING!

Tip #1: Make sure you've taken all the pieces and hardware out of its packaging before discarding the box.

Tip #2: Using page 2 and/or page 3 of instruction manual make sure all pieces and hardware are accounted for.

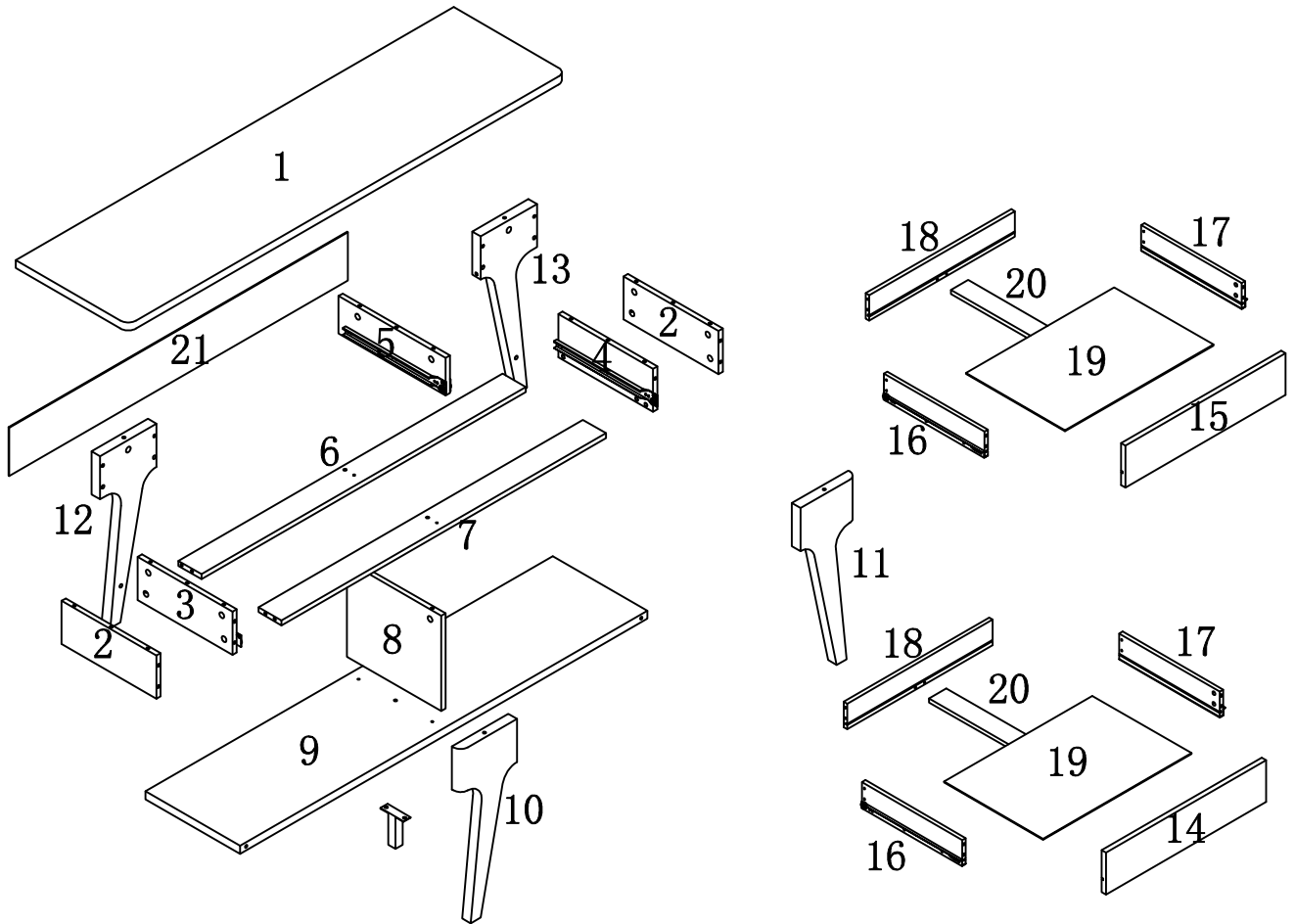
Tip #3: Read manual before assembling, it helps!

ITEM#: 202827



# PARTS IDENTIFICATION

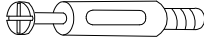


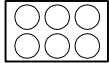
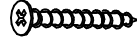
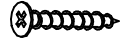




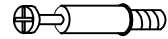



ITEM#: 202827



(1)	1pc	(7)	1pc	(13)	1pc	(19)	2pcs
(2)	2pcs	(8)	1pc	(14)	1pc	(20)	2pcs
(3)	1pc	(9)	1pc	(15)	1pc	(21)	1pc
(4)	1pc	(10)	1pc	(16)	2pcs		
(5)	1pc	(11)	1pc	(17)	2pcs		
(6)	1pc	(12)	1pc	(18)	2pcs		

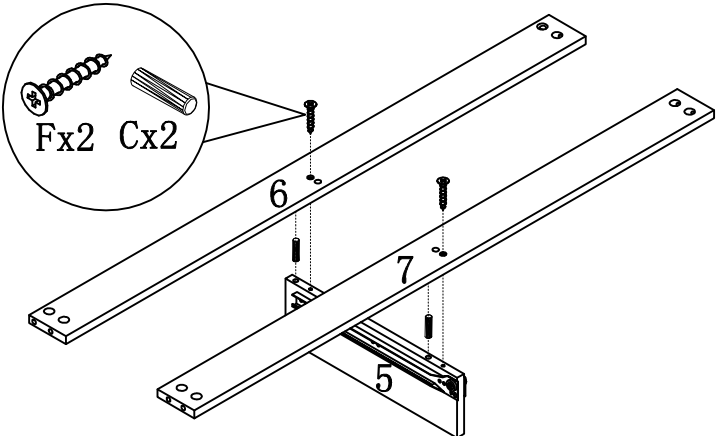
# HARDWARE IDENTIFICATION

ITEM#: 202827

A		L29	36pcs
B		Ø15	36pcs
C		Ø8x25	16pcs
D		Ø22	2pcs
E		Ø4x40	2pcs
F		Ø4x30	14pcs
G		80x25x97H	1pc
H		M6x10	2pcs
I		Ø16	4pcs
J			25pcs
K		L20	8pcs
L		Ø12	8pcs
M		Ø6x30	4pcs
N		Glue: For securing please apply to wood dowel first before inserting into panel	1pc

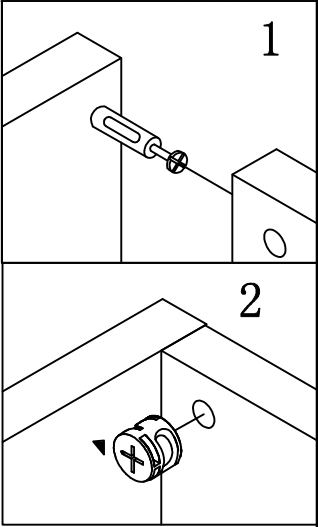
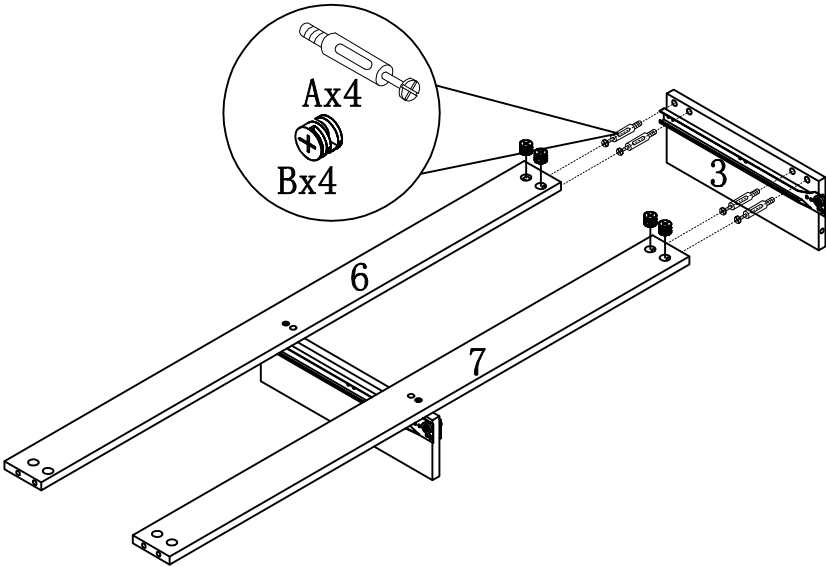
# ASSEMBLY INSTRUCTION

ITEM#: 202827



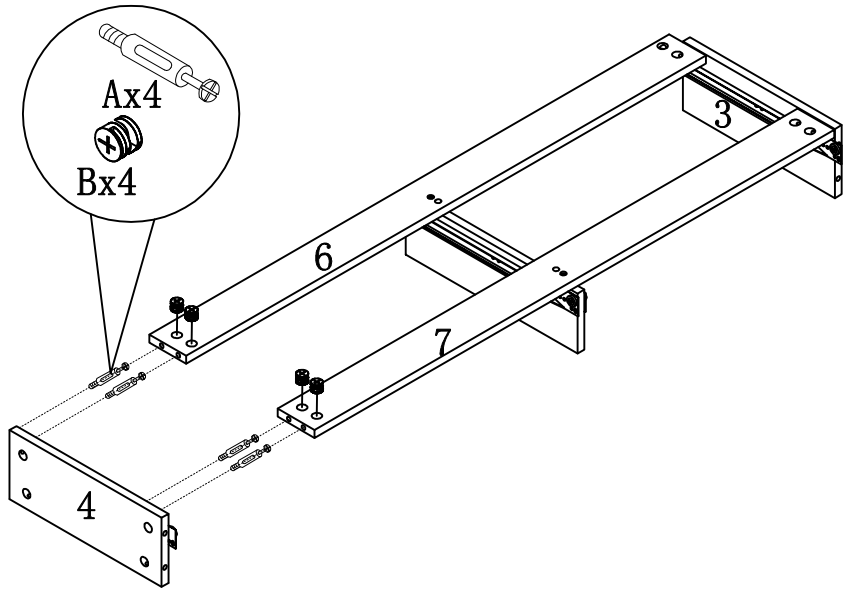
STEP 1

STEP 2



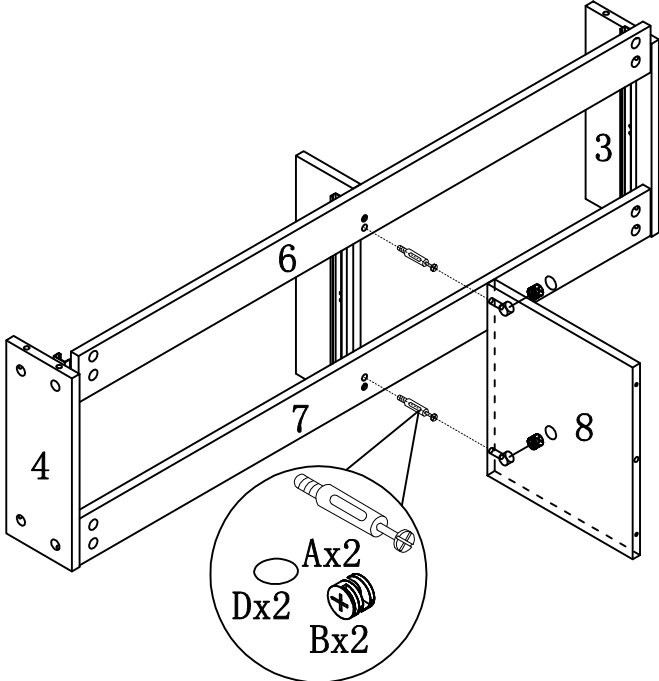
# ASSEMBLY INSTRUCTION

ITEM#: 202827



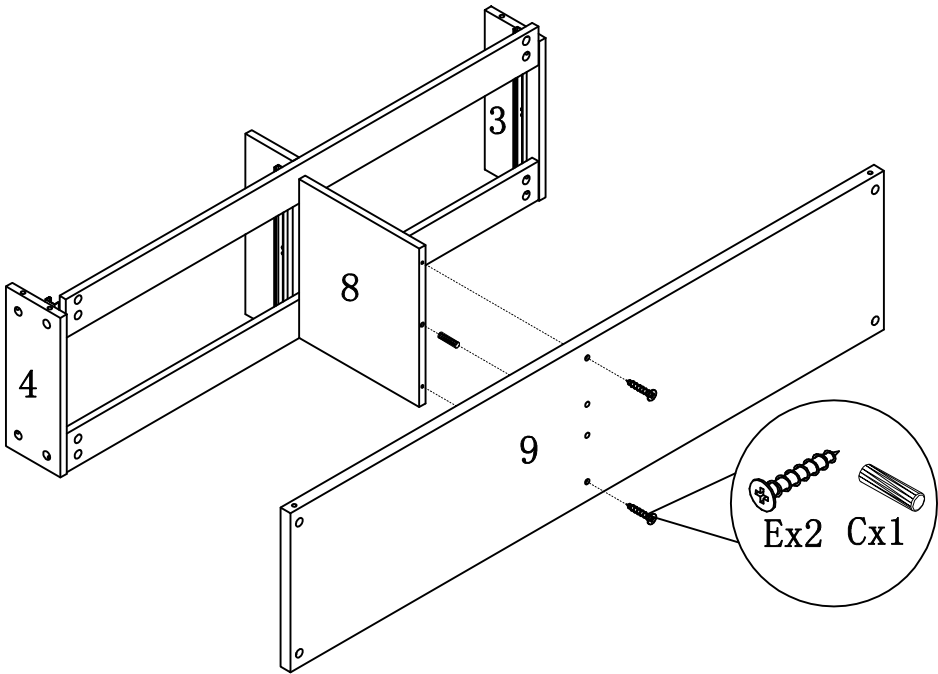
STEP3

STEP4



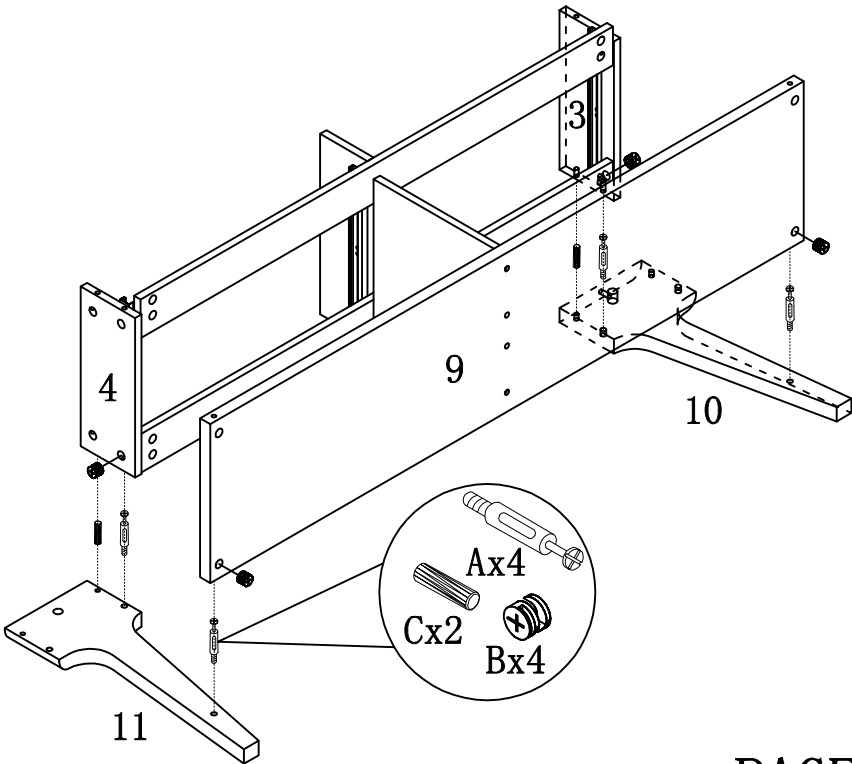
# ASSEMBLY INSTRUCTION

ITEM#: 202827



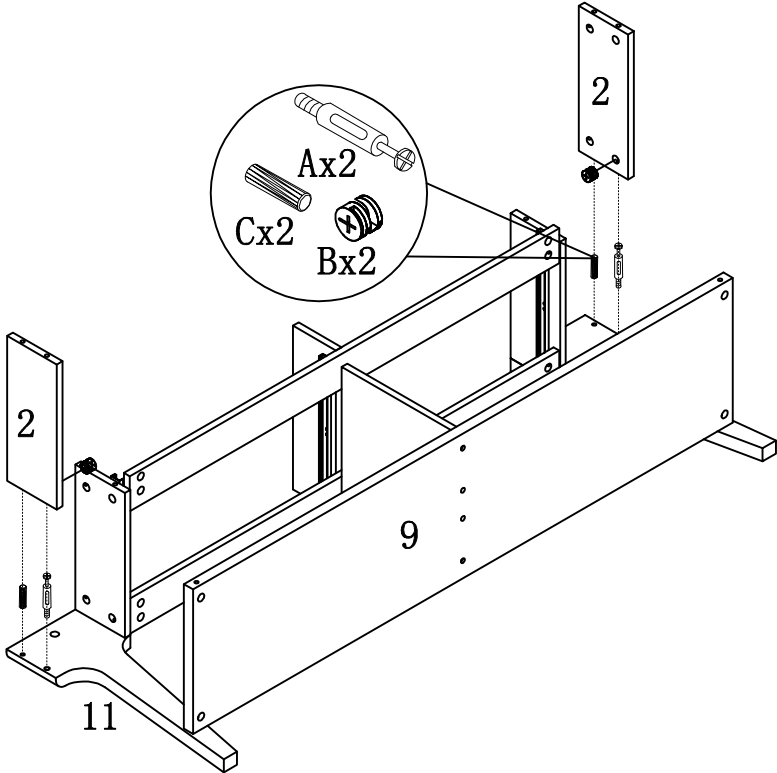
STEP5

STEP6



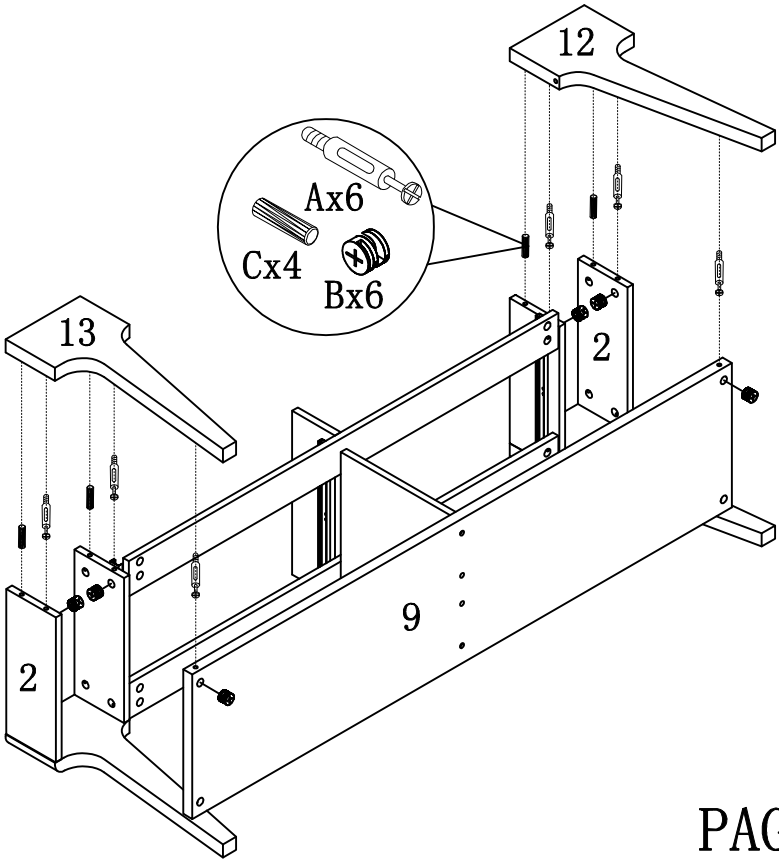
# ASSEMBLY INSTRUCTION

ITEM#: 202827



STEP7

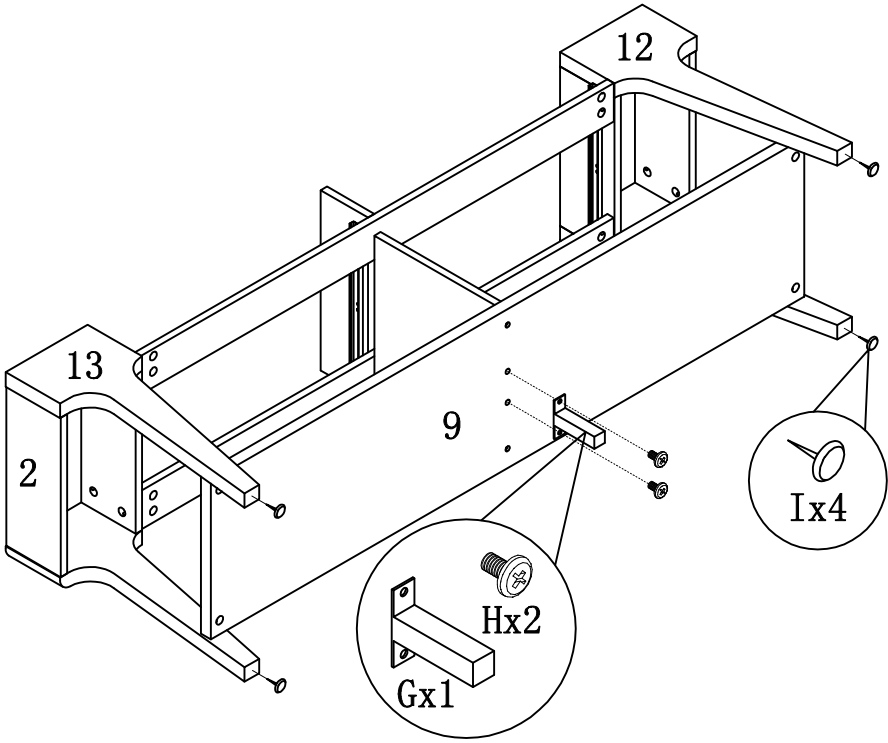
STEP8





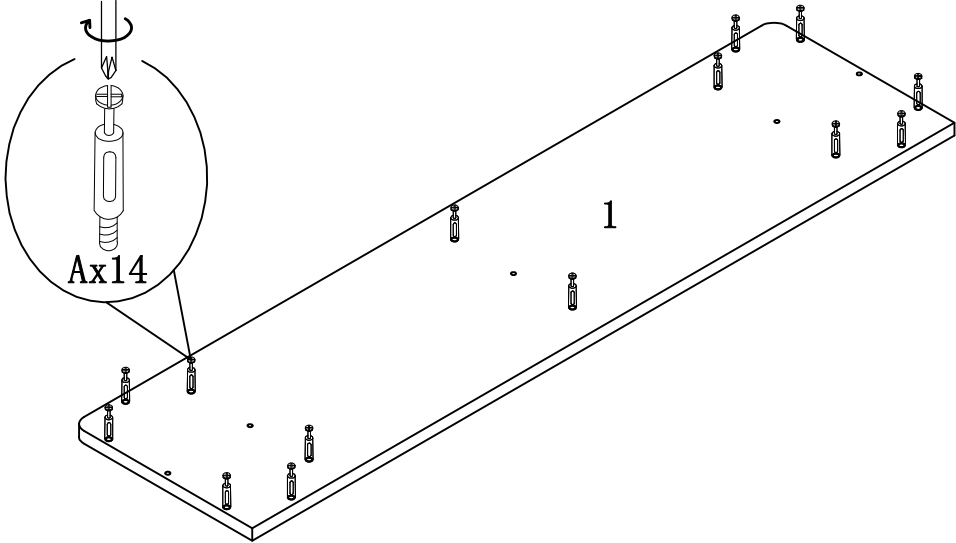
# ASSEMBLY INSTRUCTION

ITEM#: 202827



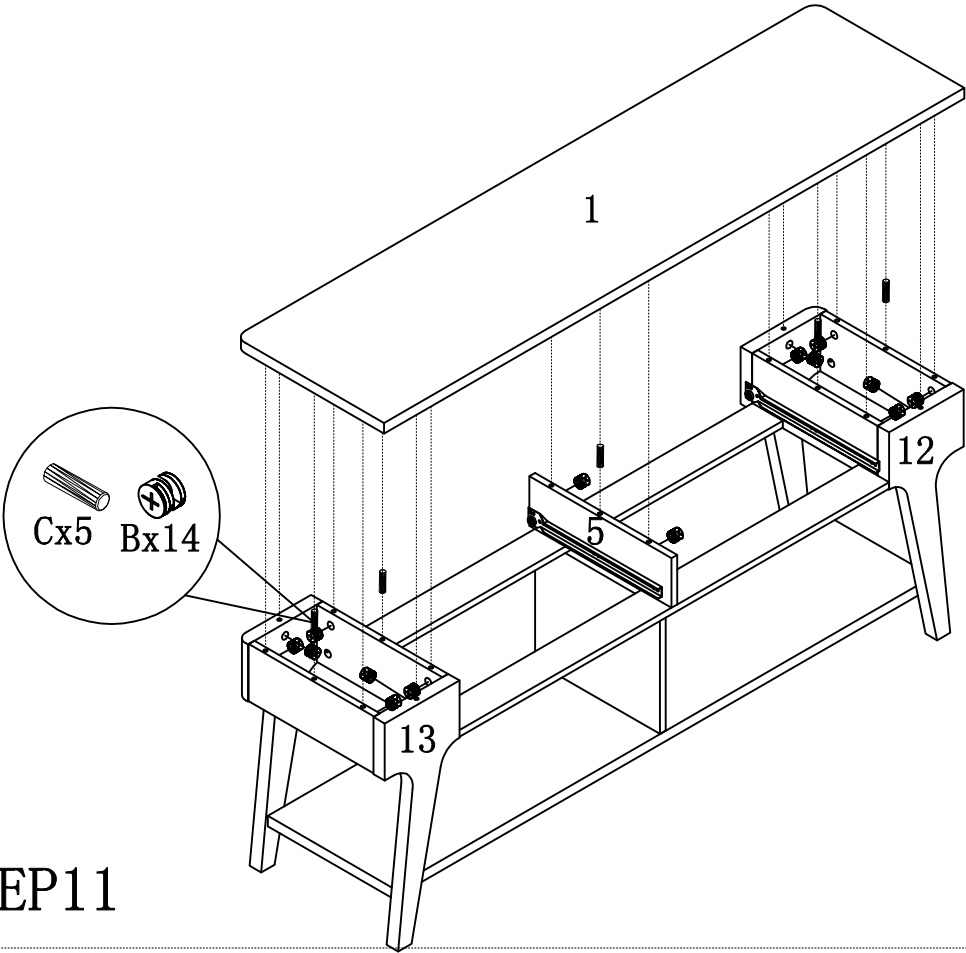
STEP9

STEP10



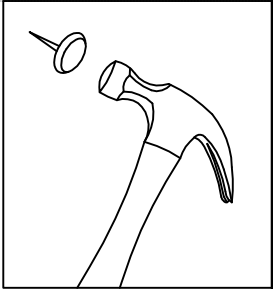
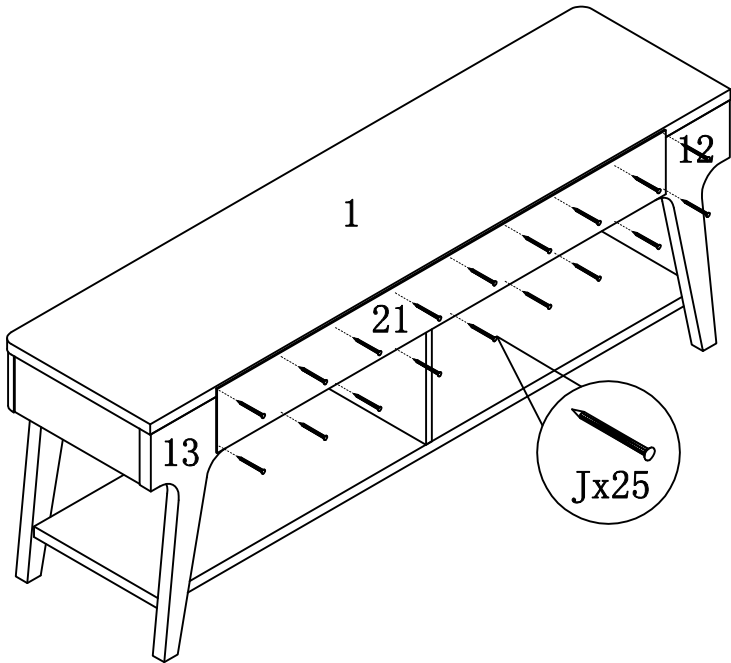
# ASSEMBLY INSTRUCTION

ITEM#: 202827



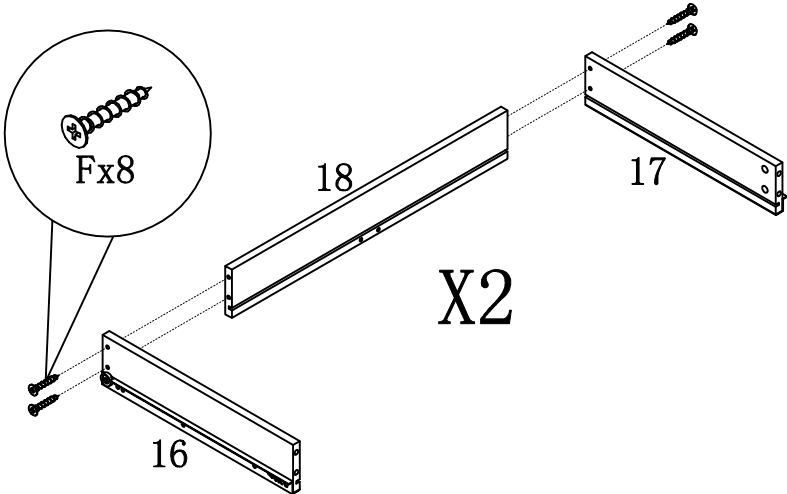
STEP 11

STEP 12



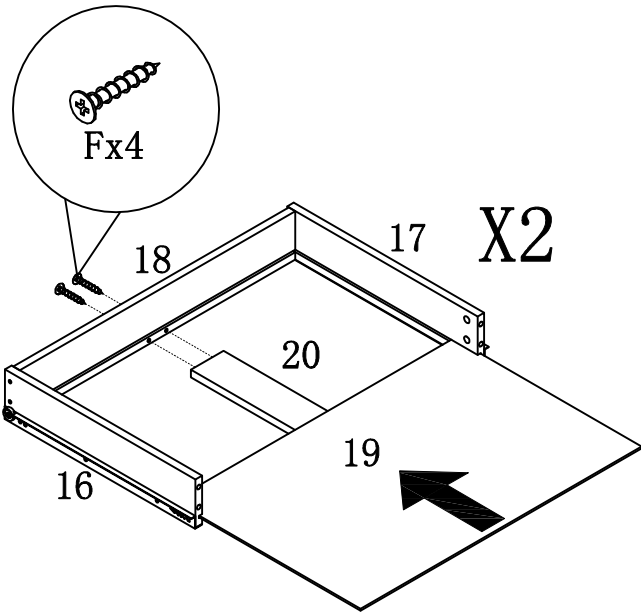
# ASSEMBLY INSTRUCTION

ITEM#: 202827



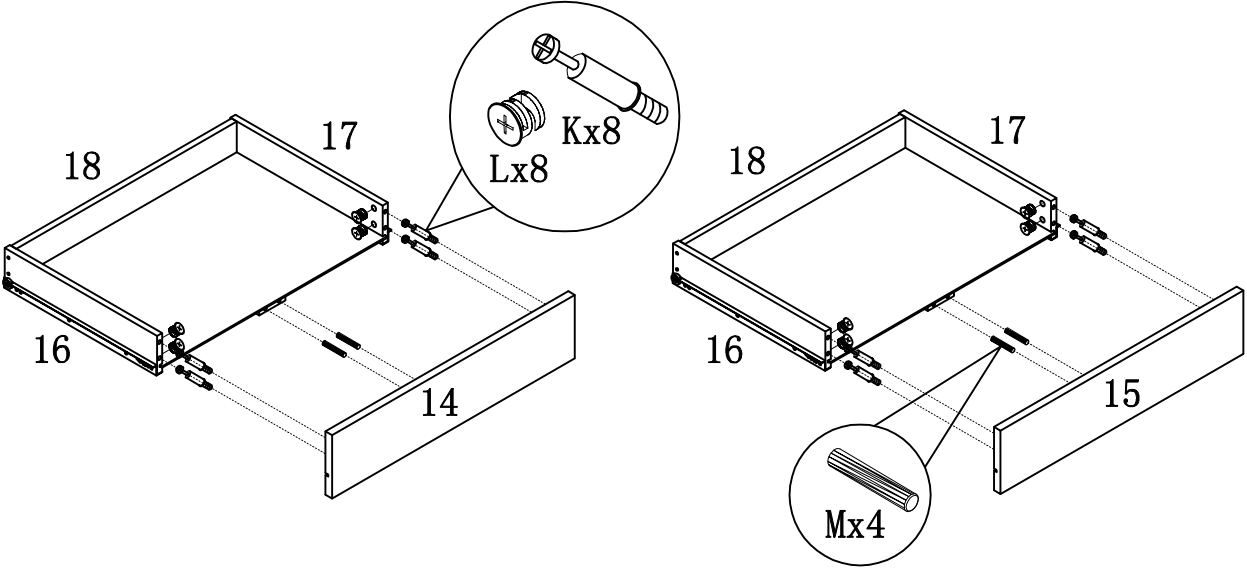
STEP 13

STEP 14



# ASSEMBLY INSTRUCTION

ITEM#: 202827



STEP 15

STEP 16

