

# ASSEMBLY INSTRUCTION

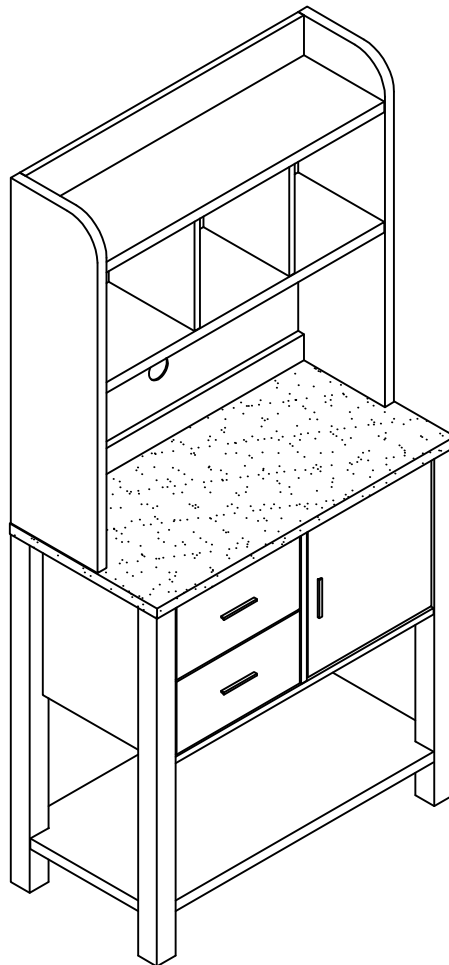
---

## PLEASE READ BEFORE ASSEMBLING!

Tip #1: Make sure you've taken all the pieces and hardware out of its packaging before discarding the box.

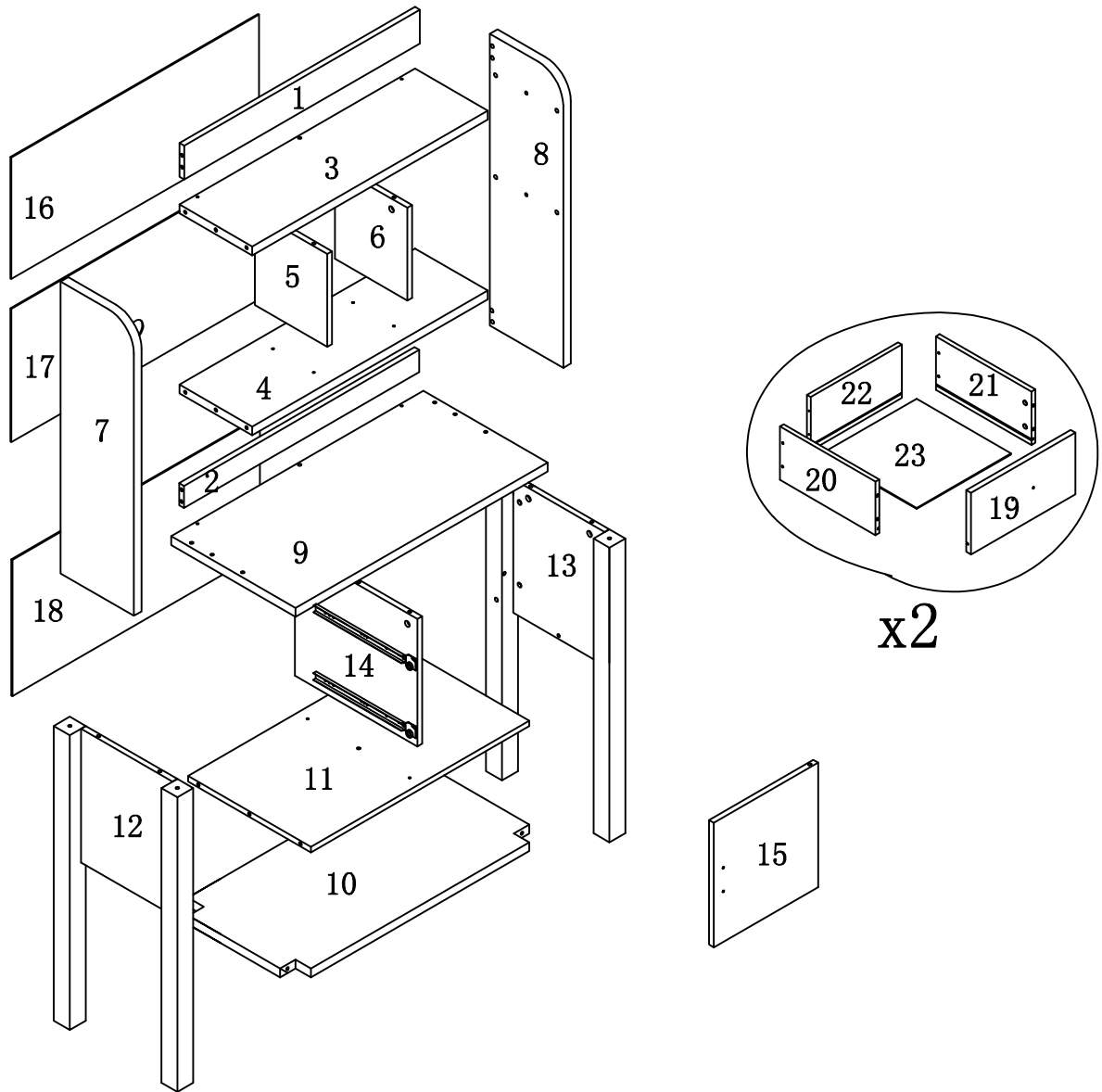
Tip #2: Using page 2 and/or page 3 of instruction manual make sure all pieces and hardware are accounted for.

ITEM#: 161891 212949



# PARTS IDENTIFICATION

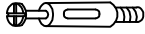


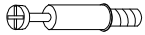

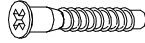

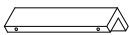


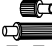
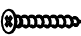
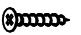




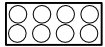

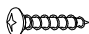
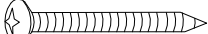
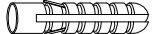

ITEM#: 161891 212949



(1)	1pc	(8)	1pc	(15)	1pc	(22)	2pcs
(2)	1pc	(9)	1pc	(16)	1pc	(23)	2pcs
(3)	1pc	(10)	1pc	(17)	1pc		
(4)	1pc	(11)	1pc	(18)	1pc		
(5)	1pc	(12)	1pc	(19)	2pcs		
(6)	1pc	(13)	1pc	(20)	2pcs		
(7)	1pc	(14)	1pc	(21)	2pcs		

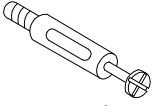

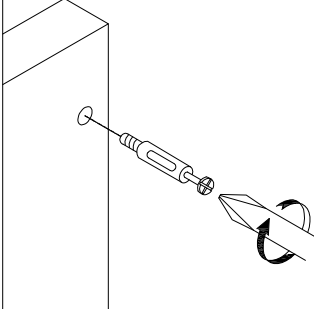
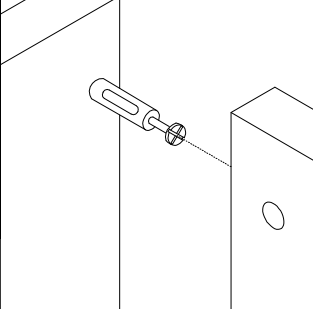
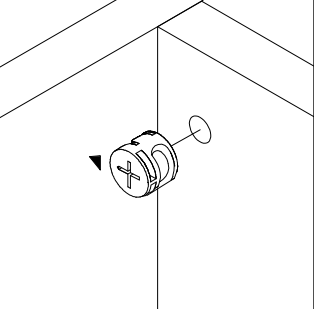
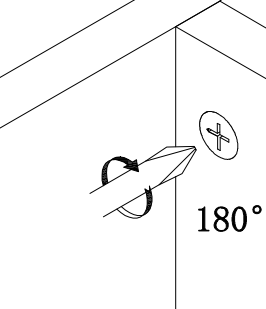
# HARDWARE IDENTIFICATION

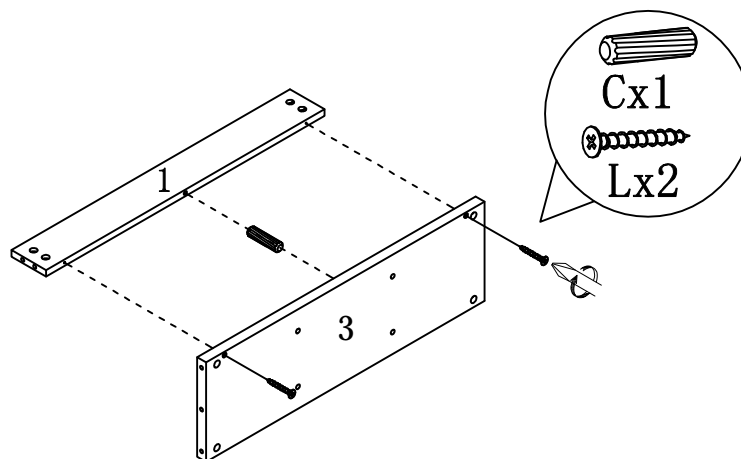
ITEM#:161891 212949

A		L29	38PCS
B		$\Phi 15$	38PCS
C		$\Phi 8 \times 25$	12PCS
D		L20	8PCS
E		$\varnothing 12$	8PCS
F		M7x48	4PCS
G		$\Phi 8 \times 16 \times 2$	4PCS
H		#64	3PCS
I		M4x20	6PCS
J			1PC
K			1PC
L		$\Phi 4 \times 40$	8PCS
M		$\Phi 4 \times 30$	10PCS
N		$\Phi 3 \times 14$	2PCS
O		$\Phi 3 \times 16$	2PCS
P		$\varnothing 16$	4PCS
Q			34PCS
R		$\varnothing 22$	10PCS
S		$197 \times 5 \times 1$	1PC
T		$\varnothing 4 \times 25$	1PC
U		$\varnothing 5 \times 40$	1PC
V		$\varnothing 8 \times 40$	1PC
W		$12 \times 12 \times 1$	2PCS

# HARDWARE IDENTIFICATION

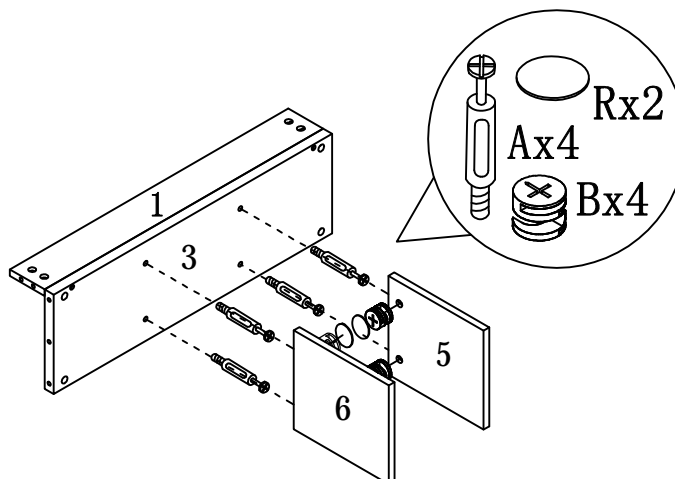
ITEM#: 161891 212949

HOW TO	1	2	3	4
 Cam Bolt   Cam Lock				
	1. Screw Cam Bolt into panel.	2. Insert Cam Bolt into bolt hole of joining panel.	3. Insert Cam Lock. arrow facing bolt.	4. Gently turn Cam Lock clockwise to lock position.



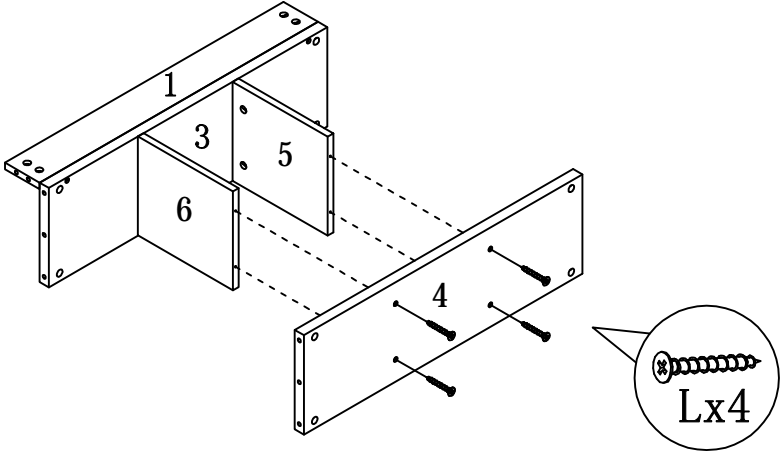
STEP1

STEP2



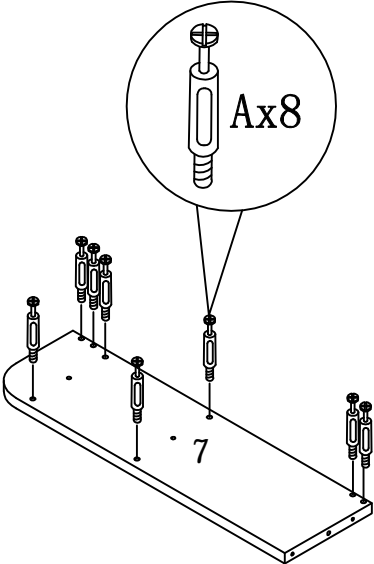
# HARDWARE IDENTIFICATION

ITEM#: 161891 212949



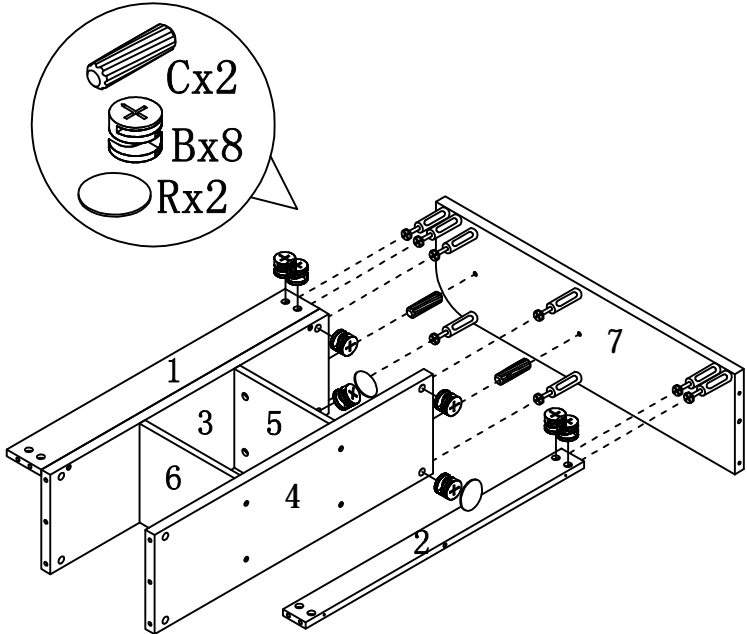
STEP3

STEP4



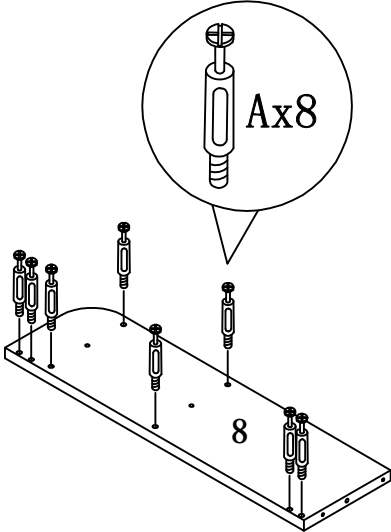
# HARDWARE IDENTIFICATION

ITEM#: 161891 212949



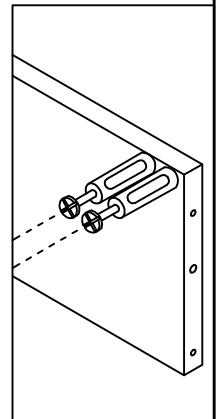
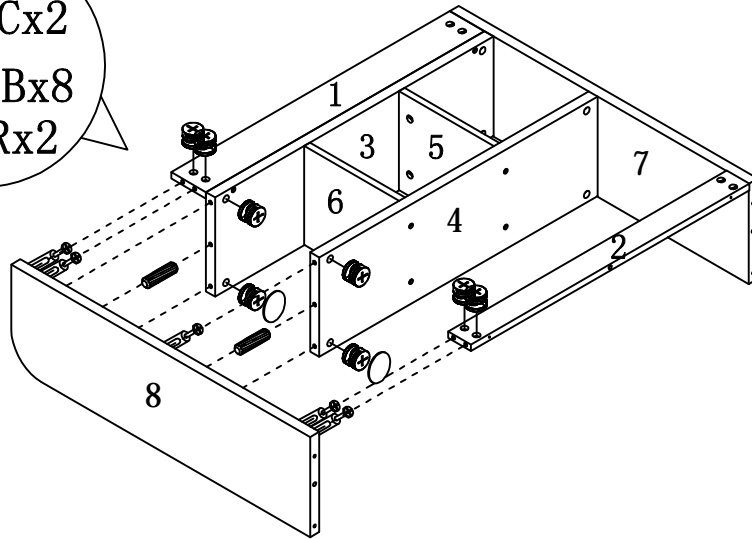
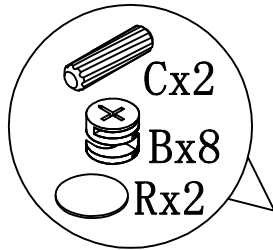
STEP5

STEP6



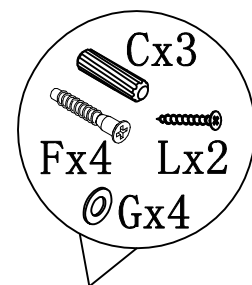
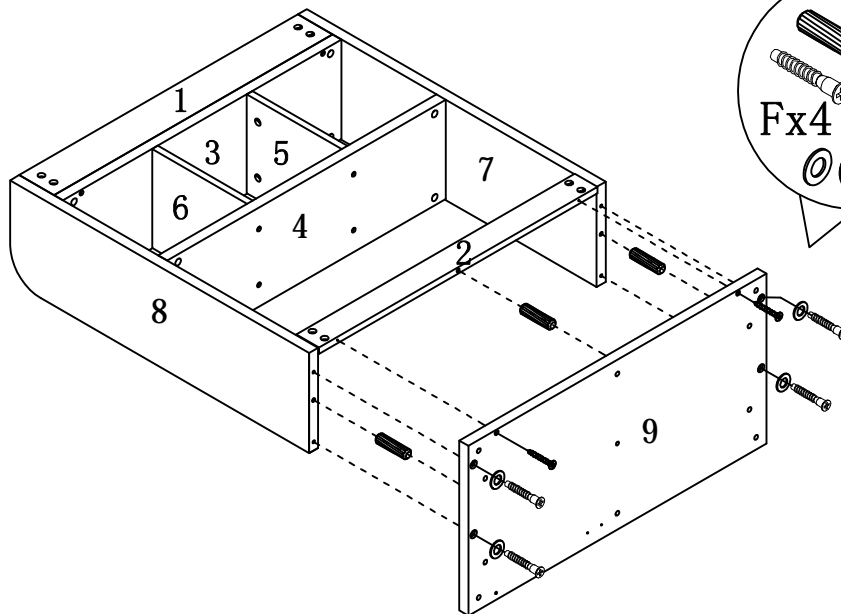
# HARDWARE IDENTIFICATION

ITEM#:161891 212949



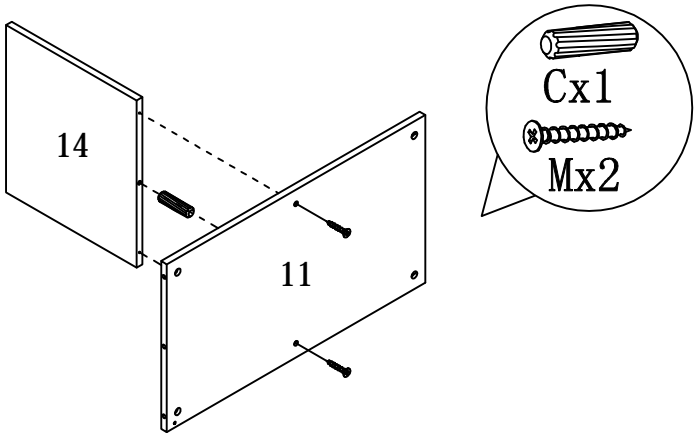
STEP7

STEP8



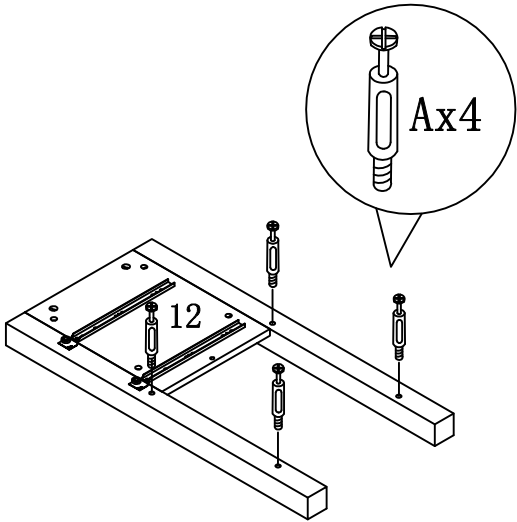
# HARDWARE IDENTIFICATION

ITEM#: 161891 212949



STEP9

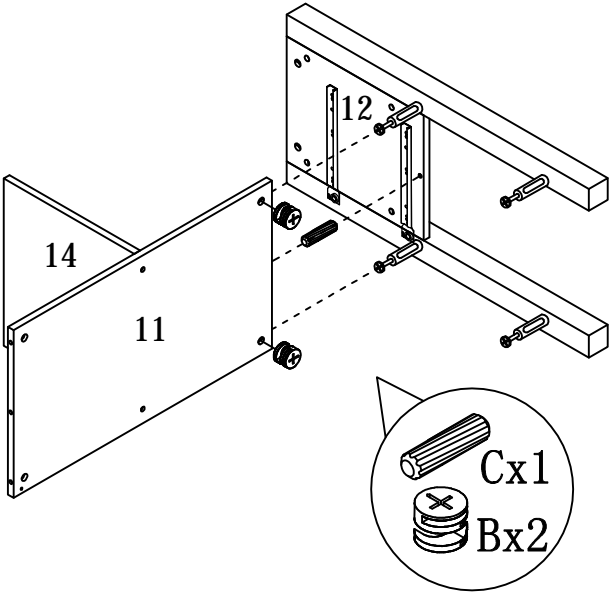
STEP10





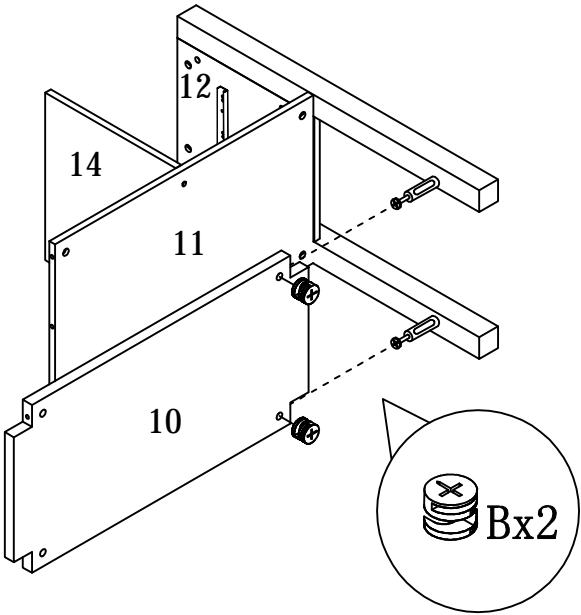
# HARDWARE IDENTIFICATION

ITEM#: 161891 212949



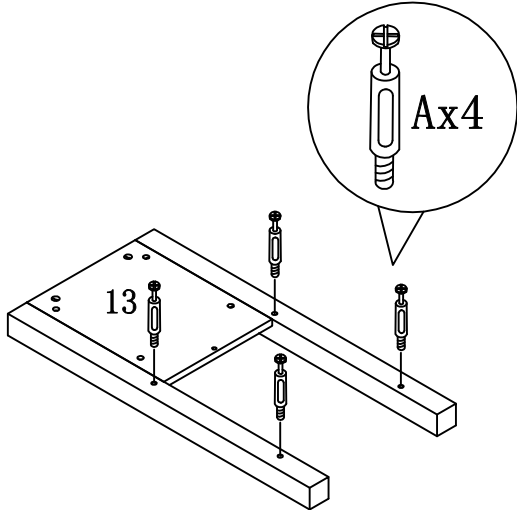
STEP11

STEP12



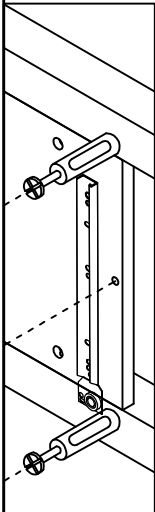
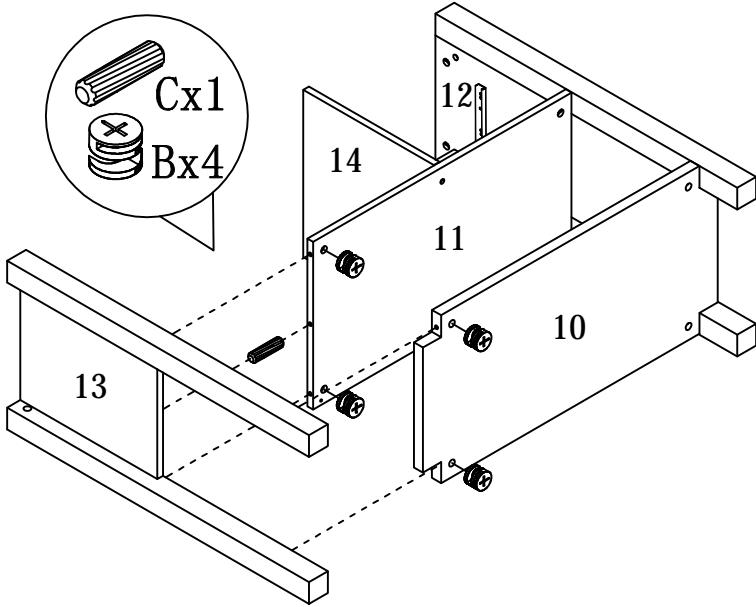
# HARDWARE IDENTIFICATION

ITEM#: 161891 212949



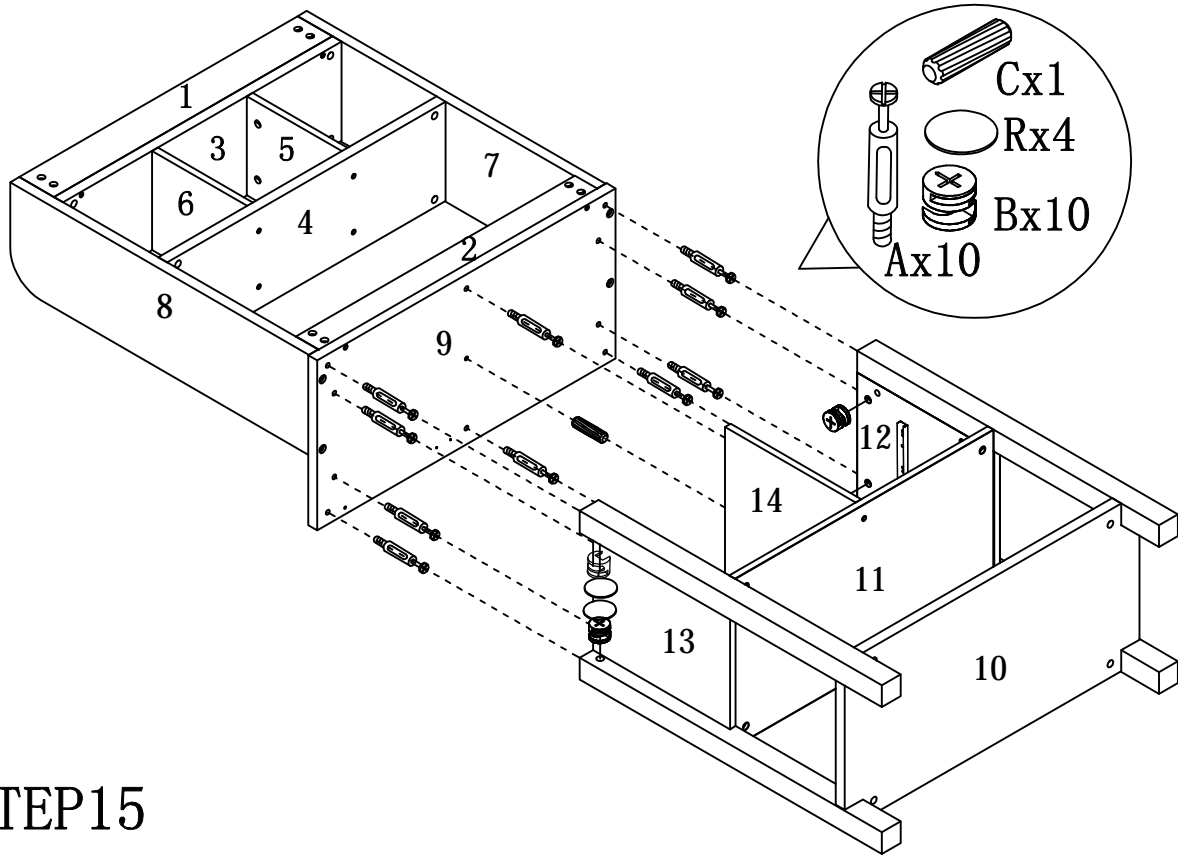
STEP 13

STEP 14



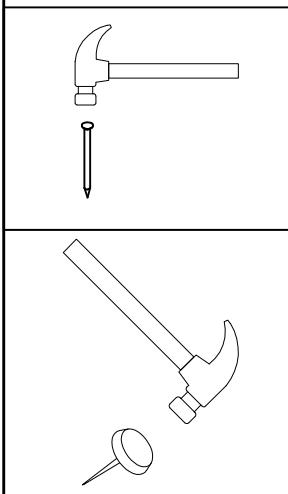
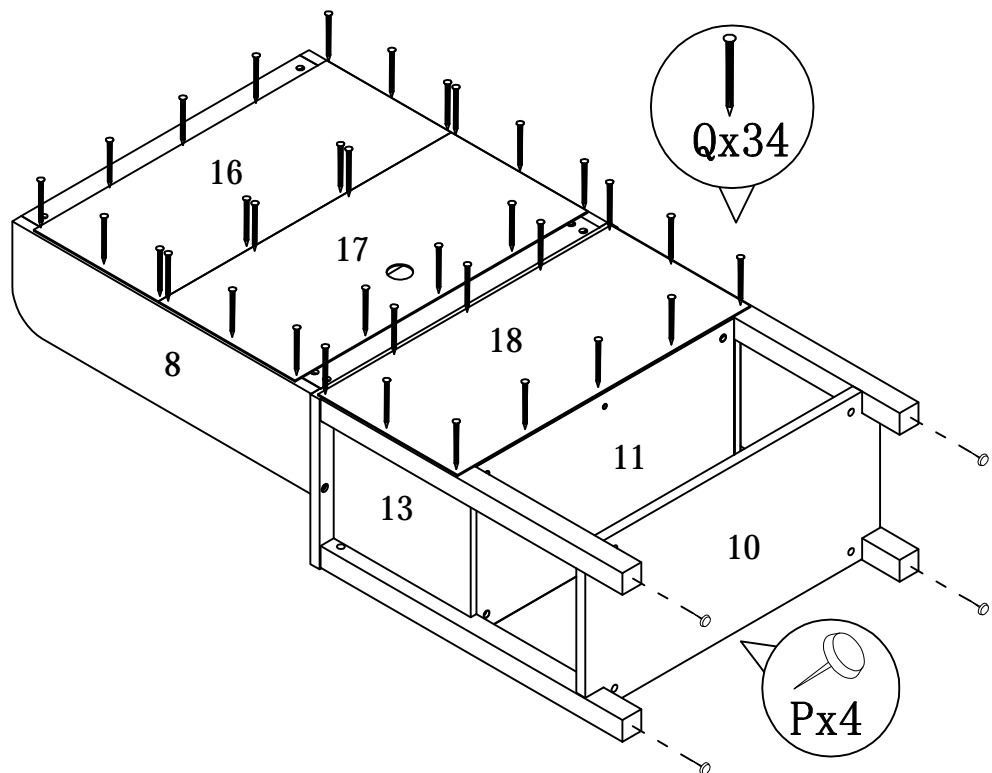
# HARDWARE IDENTIFICATION

ITEM#: 161891 212949



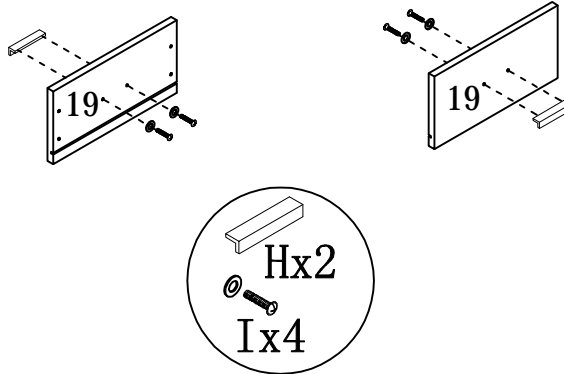
STEP 15

STEP 16



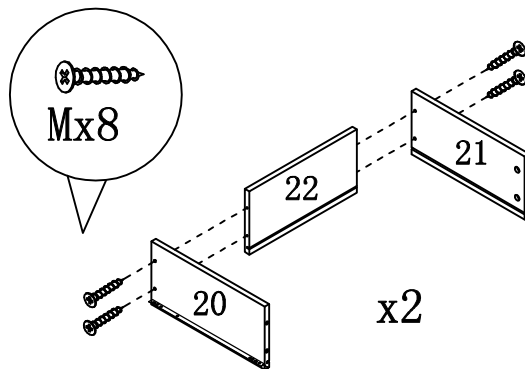
# HARDWARE IDENTIFICATION

ITEM#: 161891 212949



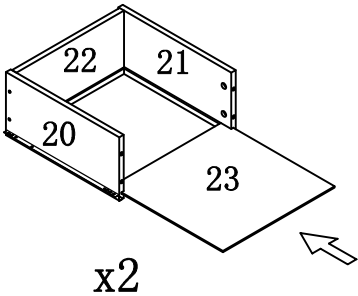
STEP17

STEP18



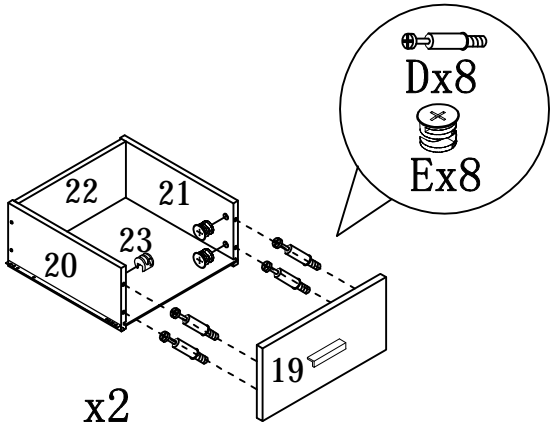
# HARDWARE IDENTIFICATION

ITEM#: 161891 212949



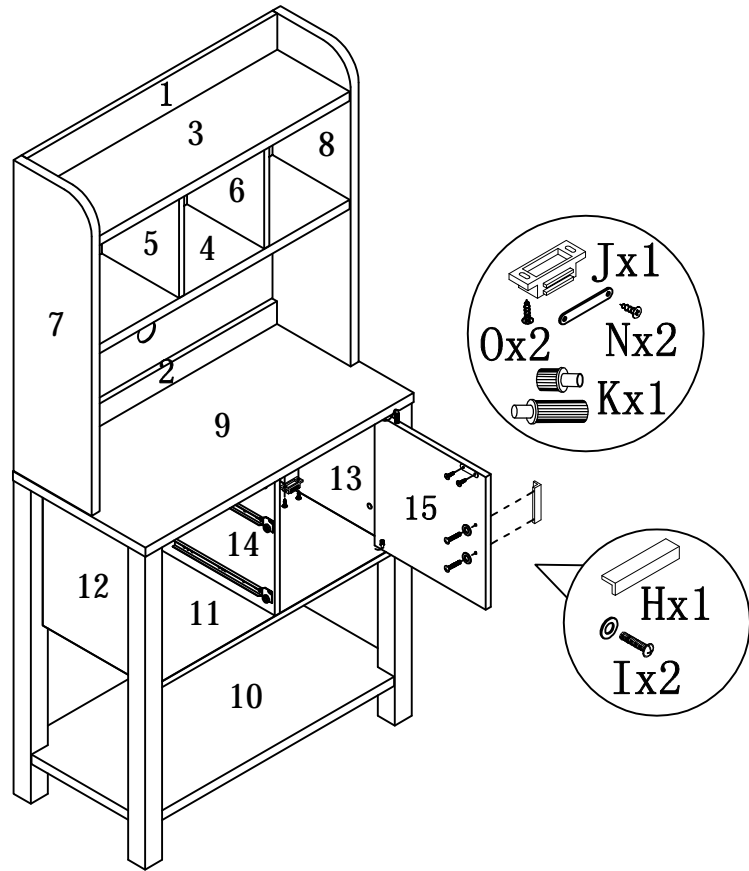
STEP19

STEP20



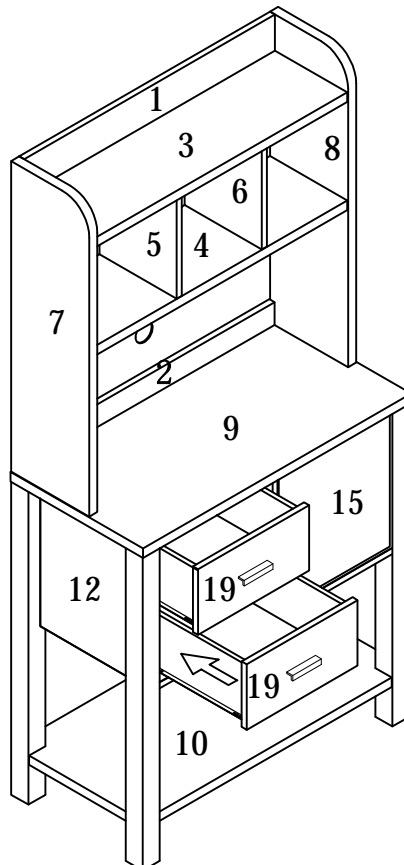
# HARDWARE IDENTIFICATION

ITEM#: 161891 212949



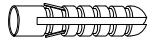
STEP21

STEP22

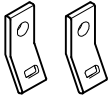


# ANTI-TIPPING STRAP INSTRUCTION

## HARDWARE (INCLUDED) :



DRYWALL ANCHOR  $\phi 8 \times 40$  X 1PC



METAL BRACKETS  $12 \times 12 \times 1$  X 2PCS



DRYWALL SCREW  $\phi 5 \times 40$  X 1PC

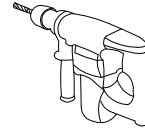


STRAP  $197 \times 5 \times 1$  X 1PC



FLATHEAD SCREW  $\phi 4 \times 25$  X 1PC

## TOOLS NEEDED ( NOT INCLUDED) :



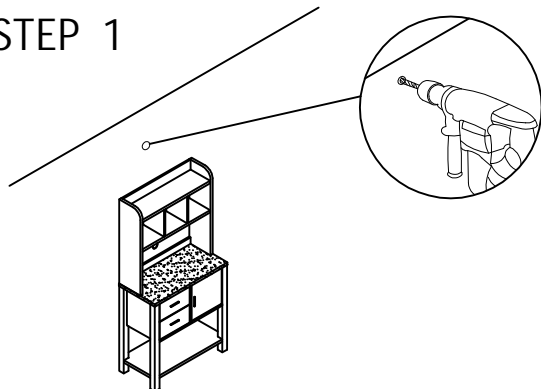
DRILL & DRILL BIT



LIGHT HAMMER

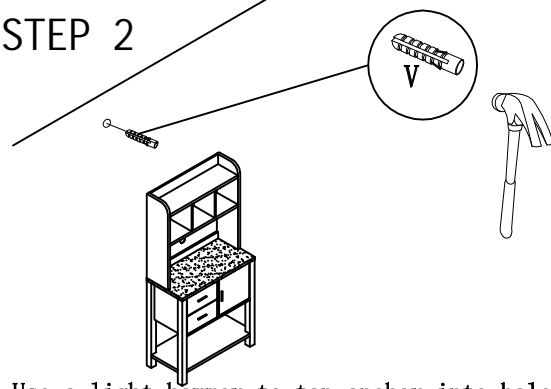
Note: Hardware included only compatible with standard drywalls.

### STEP 1



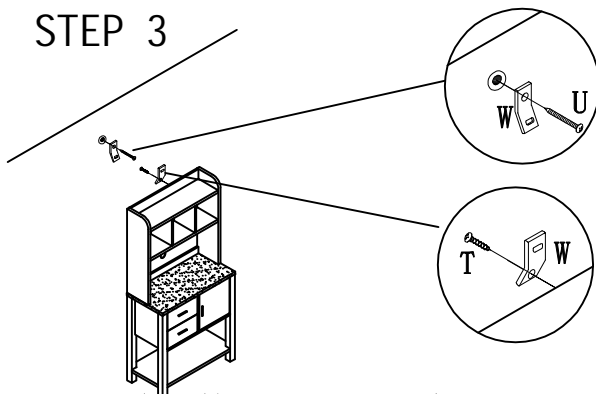
1. Find spot on wall 1" below top of item.
2. Using a drill bit slightly thinner than anchor, drill hole into drywall.

### STEP 2



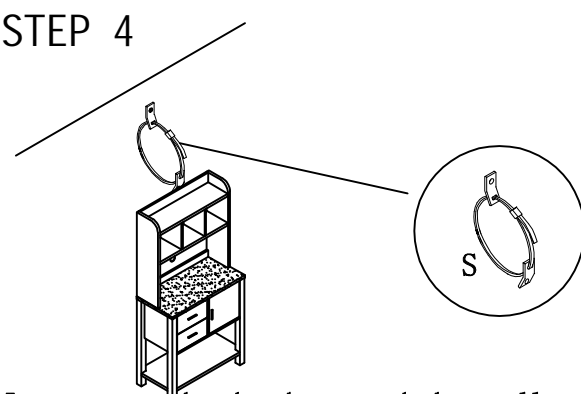
1. Use a light hammer to tap anchor into hole.
2. Anchor should fit snugly. If hole is too small, drill again to increase hole size. Do not force anchor into wall.

### STEP 3



1. Insert drywall screw into metal bracket and into drywall anchor.
2. Insert flathead screw into second metal bracket and into back of item, along top edge.

### STEP 4



1. Insert strap thru bracket attached to wall, then thru bracket on item, and into head of strap.
  2. pull lightly til strap stops.
- Assembly is complete.