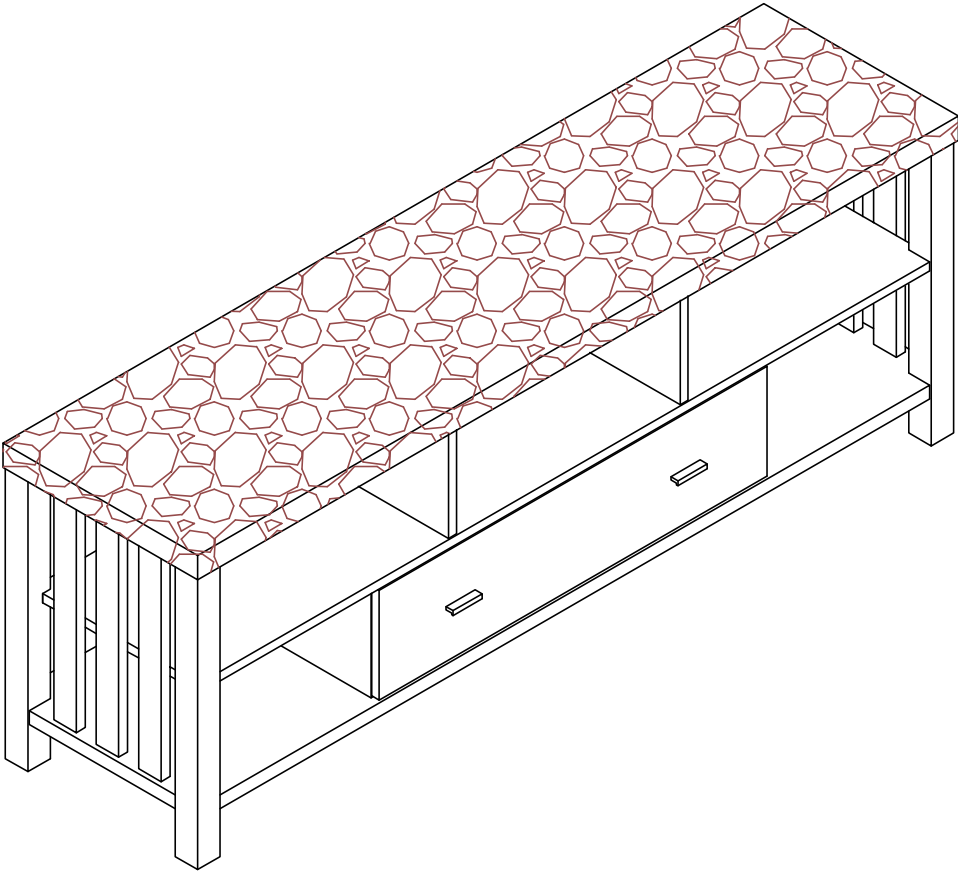


# ASSEMBLY INSTRUCTION

---

ITEM#: 12544 161538 212959



# ASSEMBLY INSTRUCTION

---

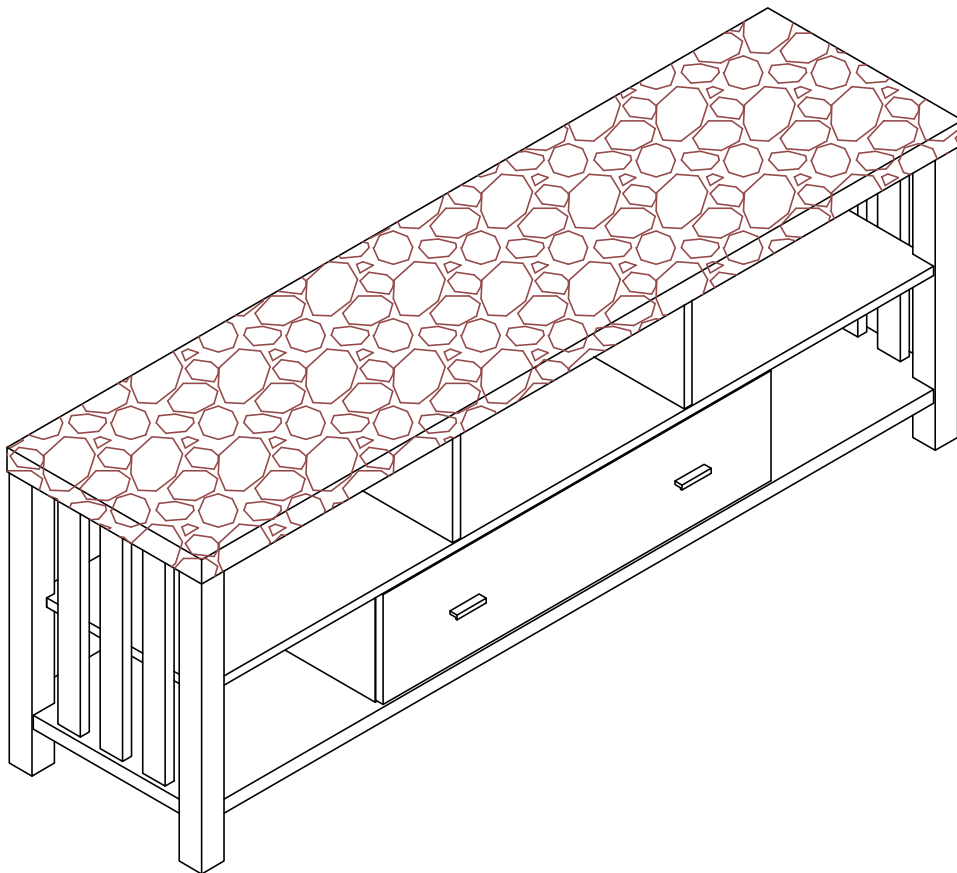
## **PLEASE READ BEFORE ASSEMBLING!**

Tip #1: Make sure you've taken all the pieces and hardware out of its packaging before discarding the box.

Tip #2: Using page 2 and/or page 3 of instruction manual make sure all pieces and hardware are accounted for.

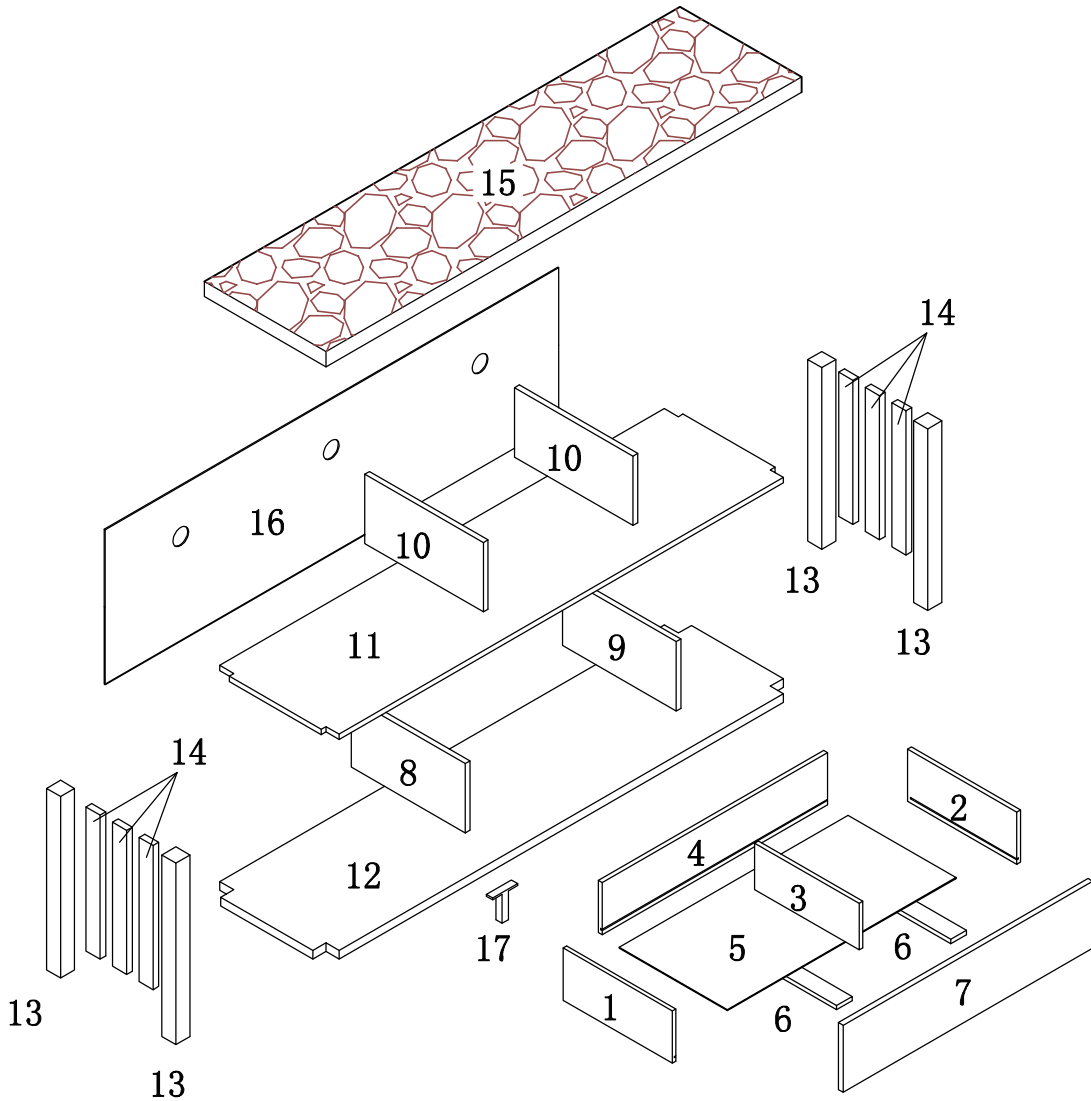
Tip #3: Read manual before assembling, it helps!

ITEM#: 12544 161538 212959



# PARTS IDENTIFICATION

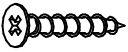

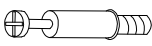


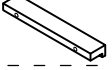


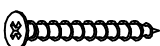
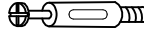

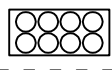

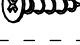
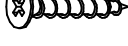
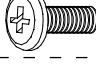

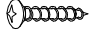
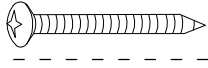



ITEM#: 12544 161538 212959



(1)	1pc	(8)	1pc	(15)	1pc
(2)	1pc	(9)	1pc	(16)	1pc
(3)	1pc	(10)	2pcs	(17)	1pc
(4)	1pc	(11)	1pc		
(5)	1pc	(12)	1pc		
(6)	2pcs	(13)	4pcs		
(7)	1pc	(14)	6pcs		

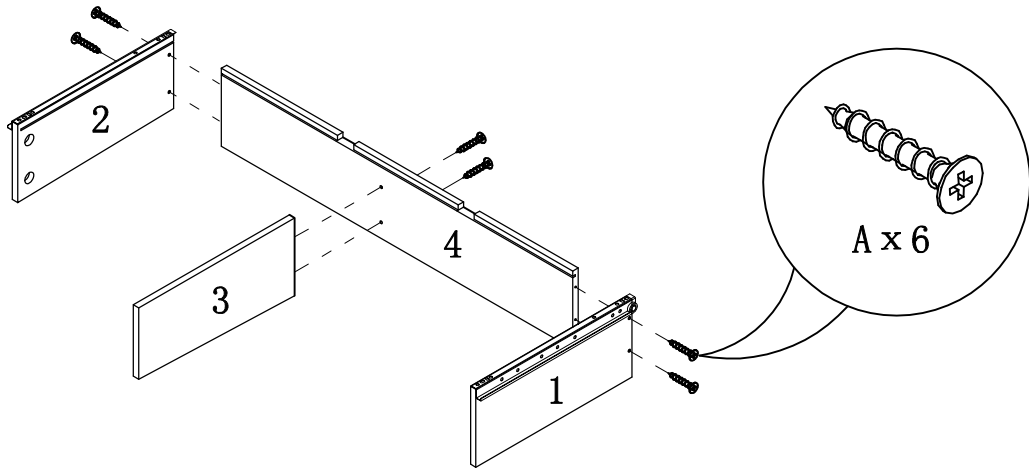
# HARDWARE IDENTIFICATION

ITEM#: 12544 161538 212959

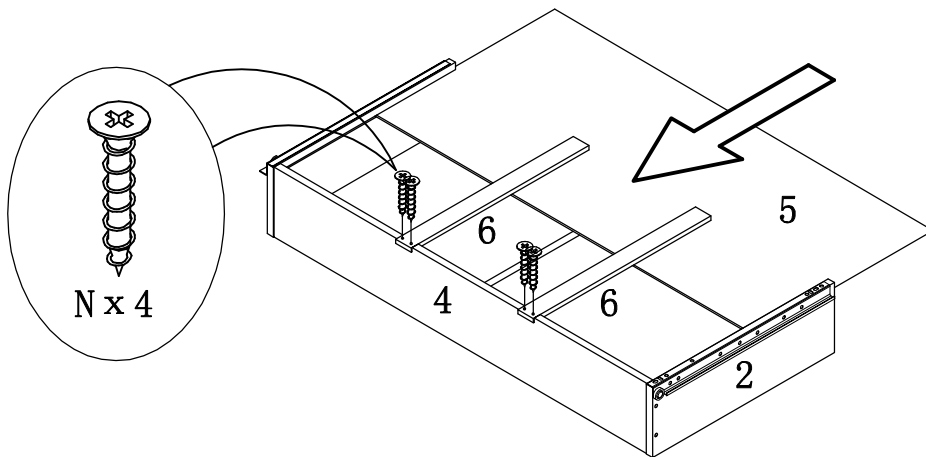
A		$\phi 4 \times 30$	6pcs
B		Z1016	40pcs
C		L20	6pcs
D		$\phi 10$	6pcs
E		$\phi 6 \times 30$	4pcs
F		64MM	2pcs
G		M4 x 22	4pcs
H		$\phi 8 \times 25$	36pcs
I		$\phi 4 \times 45$	4pcs
J		L29	20pcs
K		$\phi 15$	20pcs
L		$\phi 18$	8pcs
M		$\phi 16$	4pcs
N		$\phi 4 \times 25$	4pcs
O		$\phi 4 \times 35$	4pcs
P		M6 x 12	2pcs
Q		197×5×1	1pc
R		$\phi 4 \times 25$	1pc
S		$\phi 5 \times 40$	1pc
T		$\phi 8 \times 40$	1pc
U		12×12×1	2pcs
V		Glue: For securing please apply to wood dowel first before inserting into panel	1pc

# ASSEMBLY INSTRUCTION

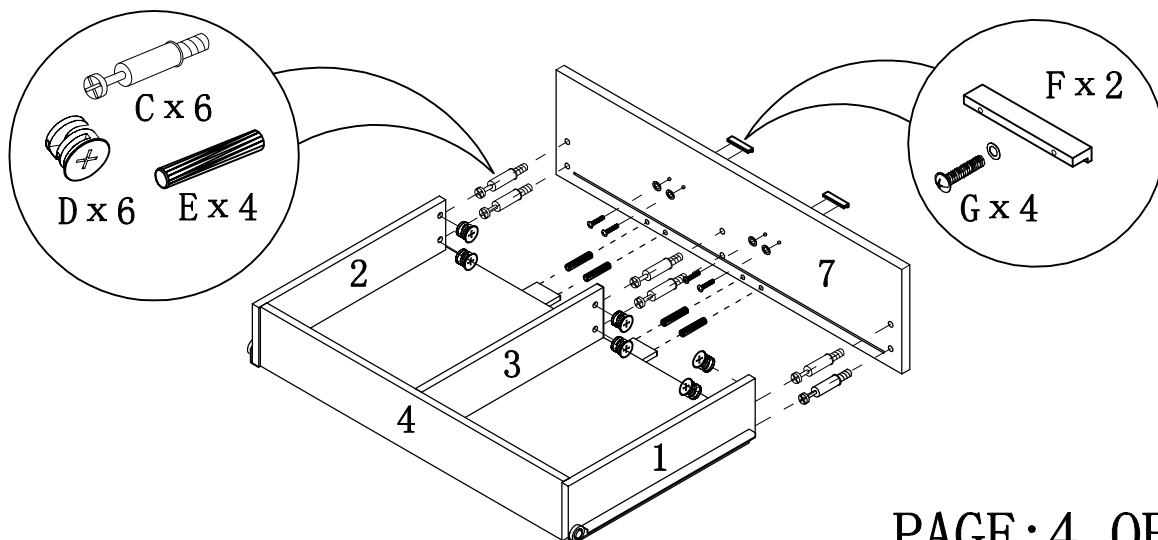
ITEM#: 12544 161538 212959



## STEP 2



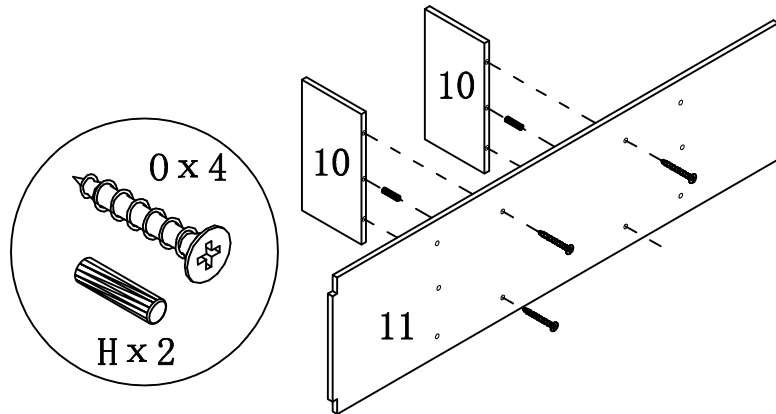
## STEP 3



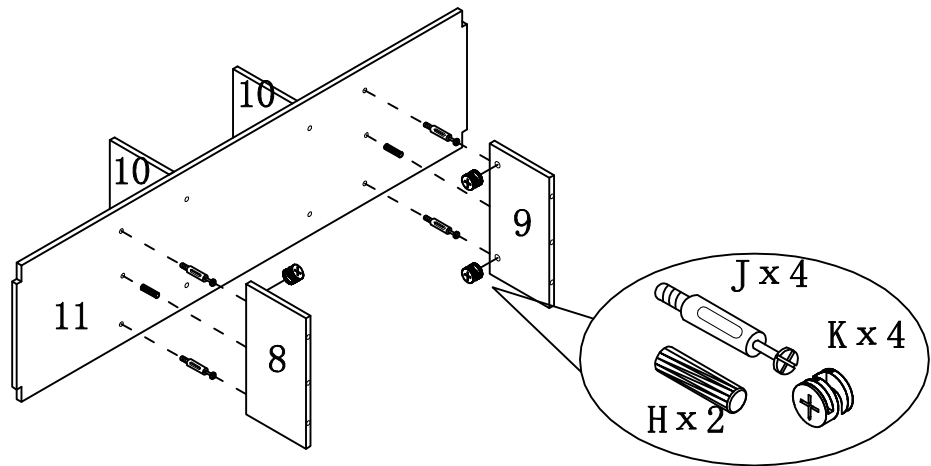
# ASSEMBLY INSTRUCTION

ITEM#: 12544 161538 212959

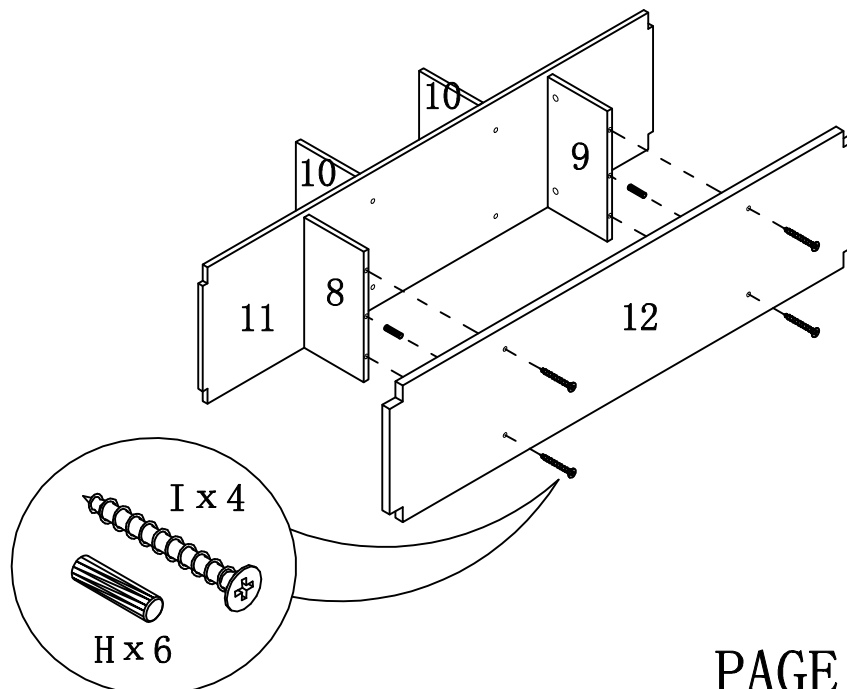
STEP4



STEP5

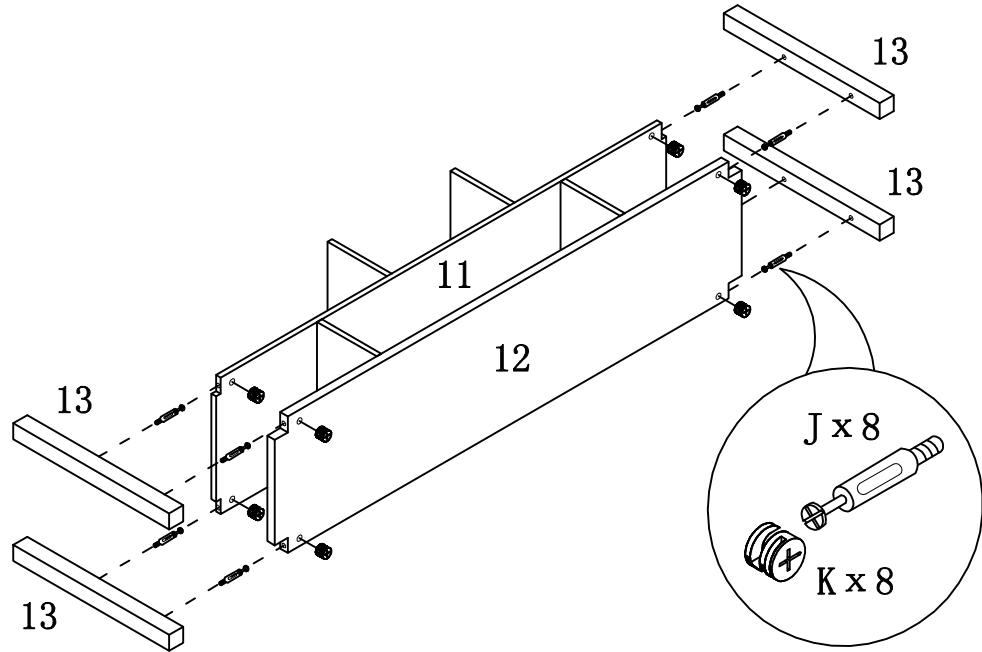


STEP6



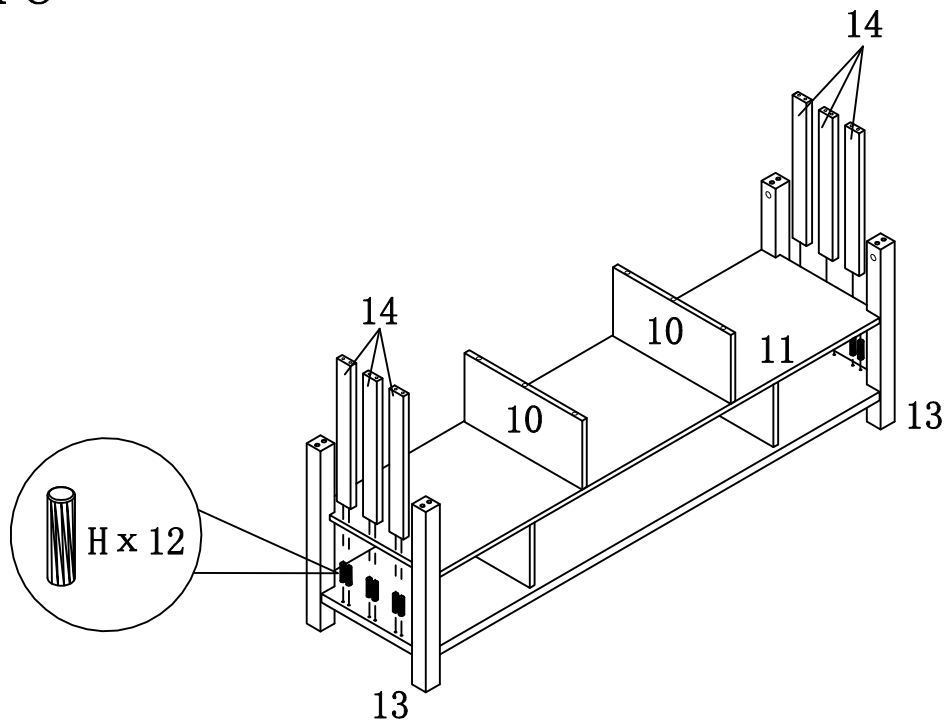
# ASSEMBLY INSTRUCTION

ITEM#: 12544 161538 212959



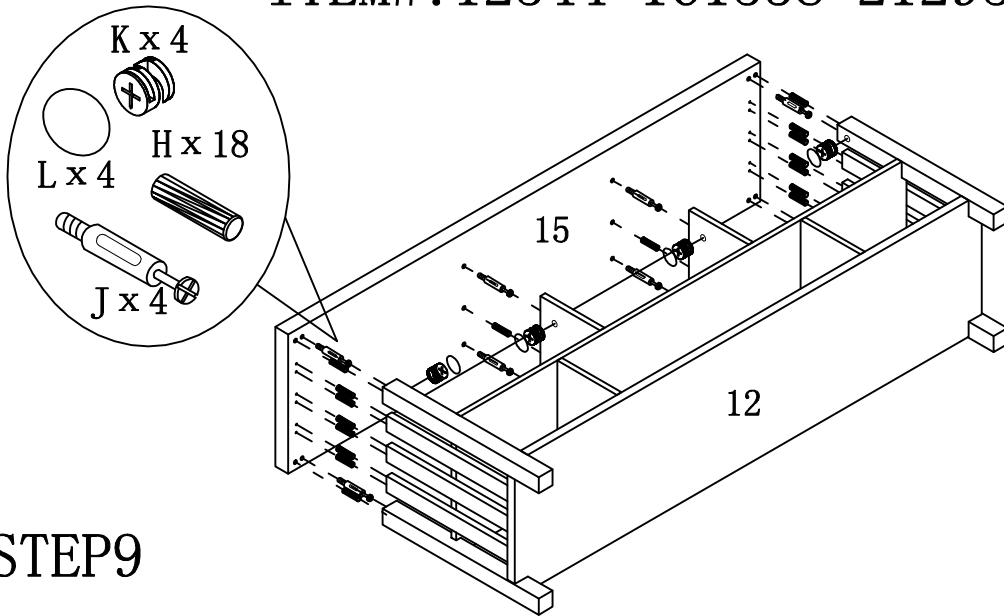
STEP 7

STEP 8

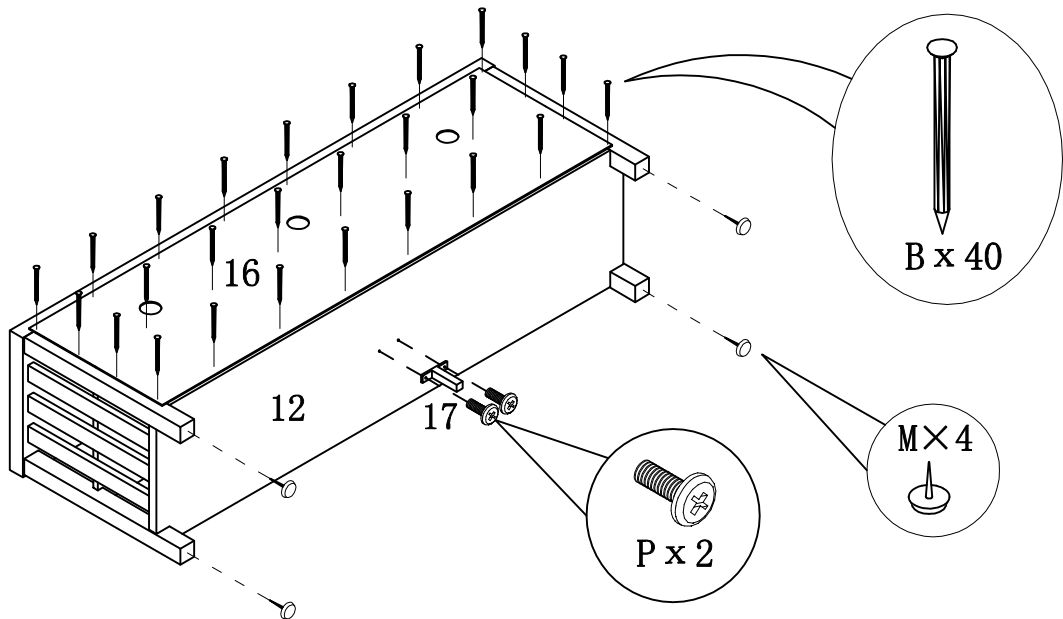


# ASSEMBLY INSTRUCTION

ITEM#: 12544 161538 212959

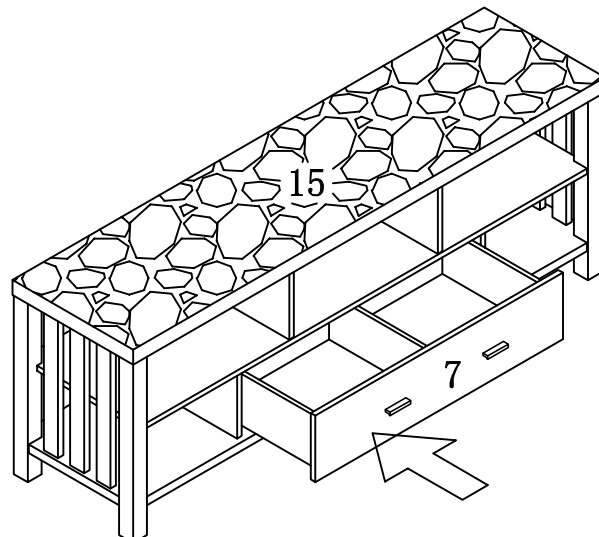


STEP9



STEP10

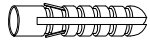
STEP11



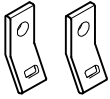


# ANTI-TIPPING STRAP INSTRUCTION

## HARDWARE (INCLUDED) :



DRYWALL ANCHOR  $\phi 8 \times 40$  X 1PC



METAL BRACKETS  $12 \times 12 \times 1$  X 2PCS



DRYWALL SCREW  $\phi 5 \times 40$  X 1PC

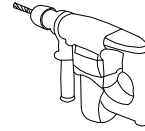


STRAP  $197 \times 5 \times 1$  X 1PC



FLATHEAD SCREW  $\phi 4 \times 25$  X 1PC

## TOOLS NEEDED ( NOT INCLUDED) :



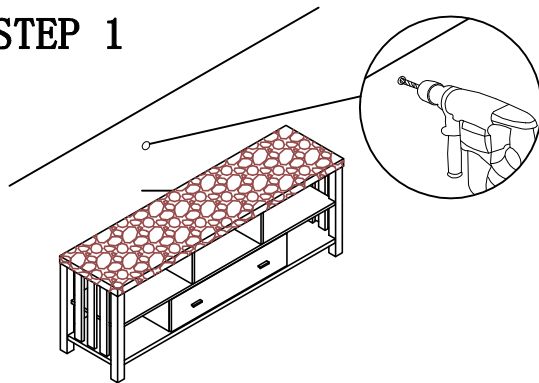
DRILL & DRILL BIT



LIGHT HAMMER

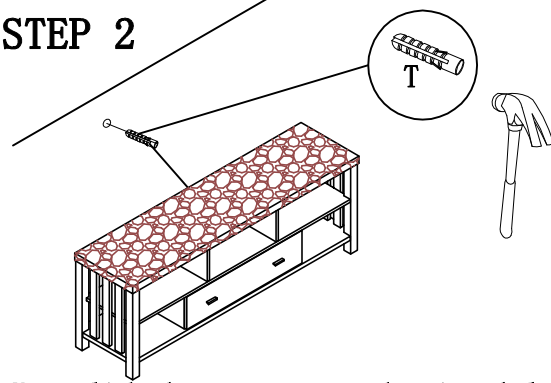
Note: Hardware included only compatible with standard drywalls.

### STEP 1



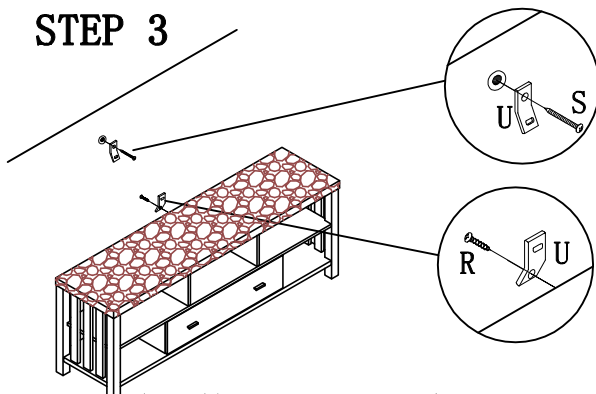
1. Find spot on wall 1" below top of item.
2. Using a drill bit slightly thinner than anchor, drill hole into drywall.

### STEP 2



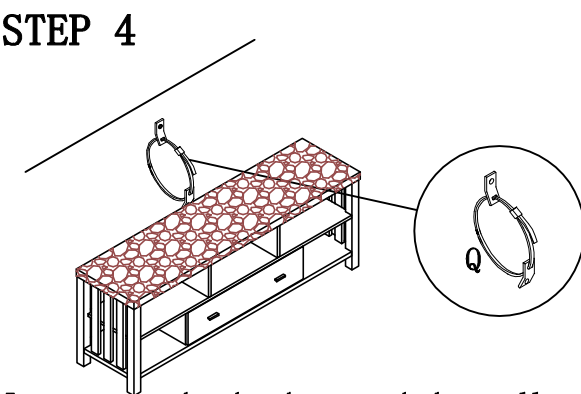
1. Use a light hammer to tap anchor into hole.
2. Anchor should fit snugly. If hole is too small, drill again to increase hole size. Do not force anchor into wall.

### STEP 3



1. Insert drywall screw into metal bracket and into drywall anchor.
2. Insert flathead screw into second metal bracket and into back of item along top edge.

### STEP 4



1. Insert strap thru bracket attached to wall, then thru bracket on item, and into head of strap.
  2. pull lightly til strap stops.
- Assembly is complete.