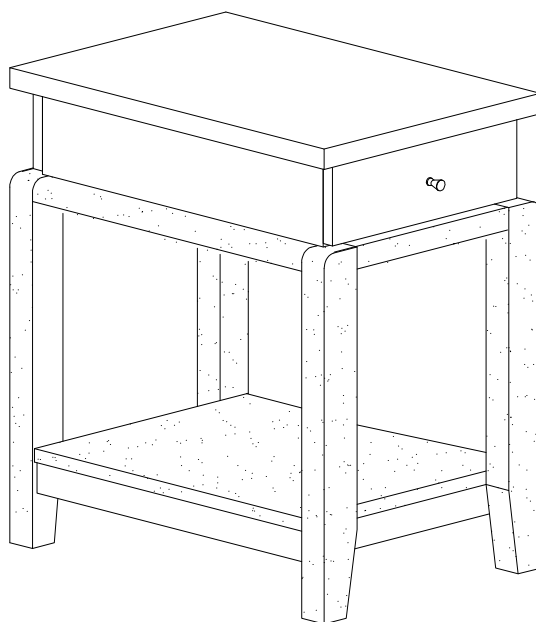


ASSEMBLY INSTRUCTION

ITEM#:161829



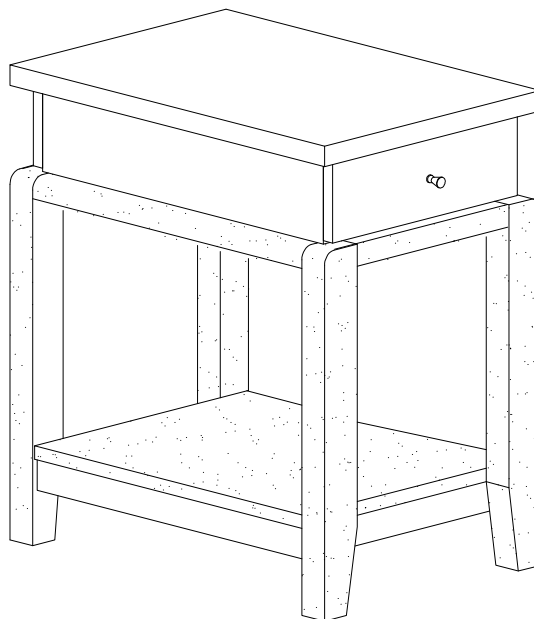
ASSEMBLY INSTRUCTION

PLEASE READ BEFORE ASSEMBLING!

Tip #1: Make sure you've taken all the pieces and hardware out of its packaging before discarding the box.

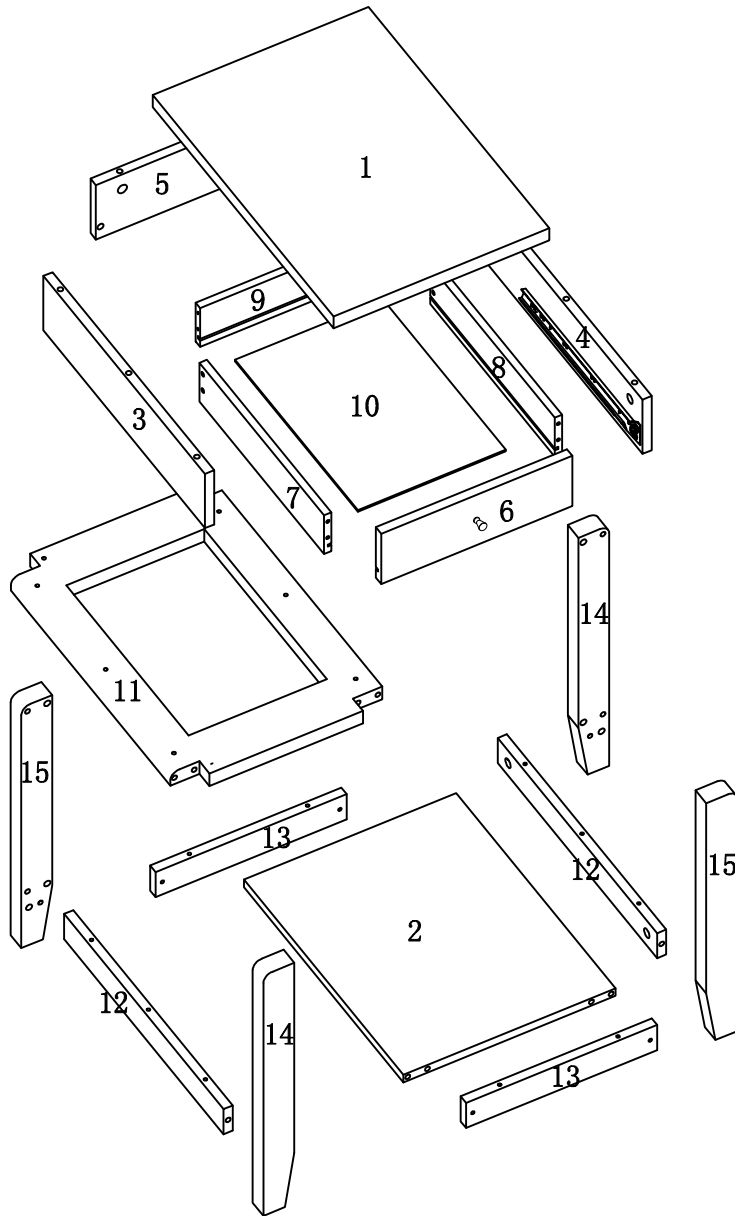
Tip #2: Using page 2 and/or page 3 of instruction manual make sure all pieces and hardware are accounted for.

ITEM#:161829



PARTS IDENTIFICATION

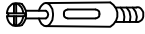


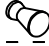

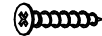


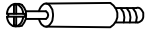




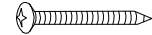


ITEM#:161829



(1)	1pc	(6)	1pc	(11)	1pc
(2)	1pc	(7)	1pc	(12)	2pcs
(3)	1pc	(8)	1pc	(13)	2pcs
(4)	1pc	(9)	1pc	(14)	2pcs
(5)	1pc	(10)	1pc	(15)	2pcs

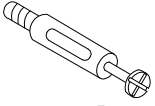

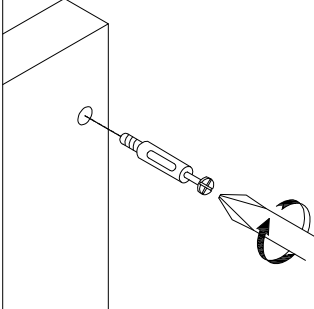
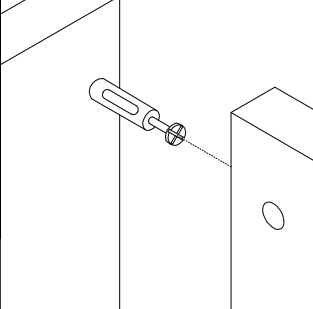
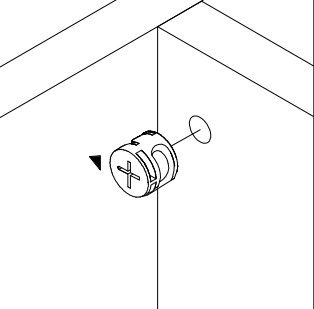
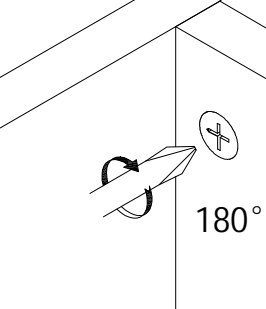
HARDWARE IDENTIFICATION

ITEM#:161829

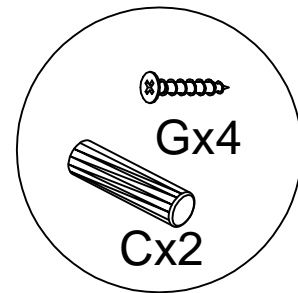
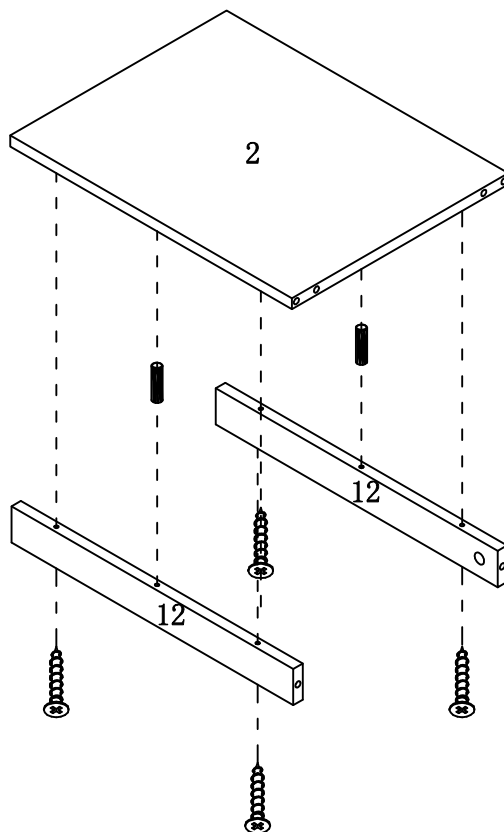
A		L29	20PCS
B		Φ 15	20PCS
C		Φ 8x25	16PCS
D			1PC
E		M4x22	1PC
F		Φ 4x30	4PCS
G		Φ 4x40	14PCS
H		Φ 16	4PCS
I		L20	4PCS
J		Φ 12	4PCS
K		197x5x1	1pc
L		Φ8x40	1pc
M		12x12x1	2pcs
N		Φ5x40	1pc
O		Φ4x25	1pc
P		Glue: For securing please apply to wood dowel first before inserting into panel	1PC

HARDWARE IDENTIFICATION

ITEM#:161829

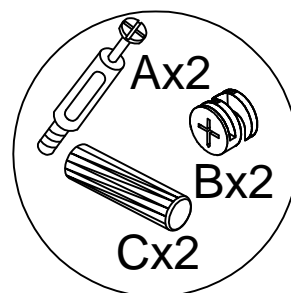
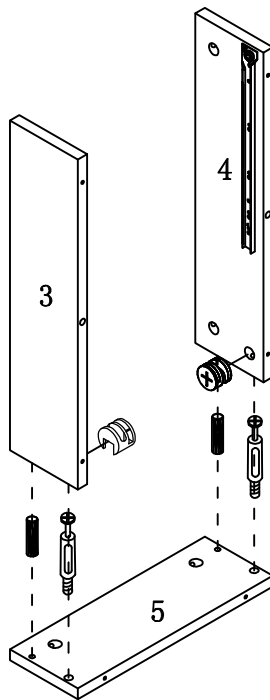
HOW TO	1	2	3	4
 Cam Bolt  Cam Lock				
	1. Screw Cam Bolt into panel.	2. Insert Cam Bolt into bolt hole of joining panel.	3. Insert Cam Lock. arrow facing bolt.	4. Gently turn Cam Lock clockwise to lock position.

STEP1



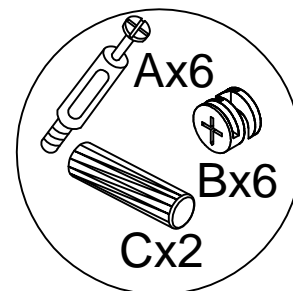
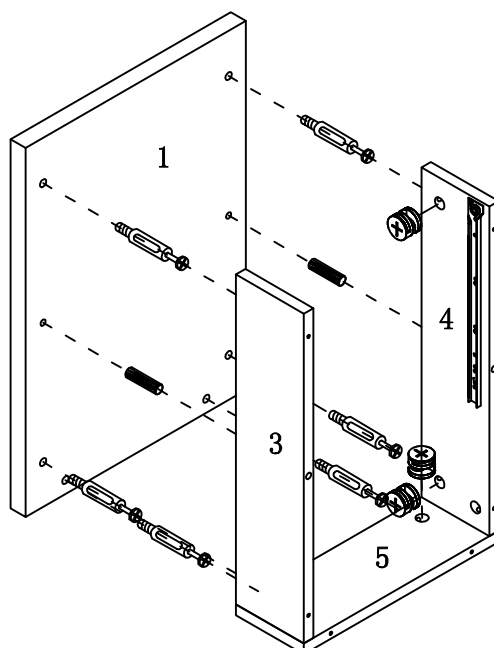
HARDWARE IDENTIFICATION

ITEM#:161829



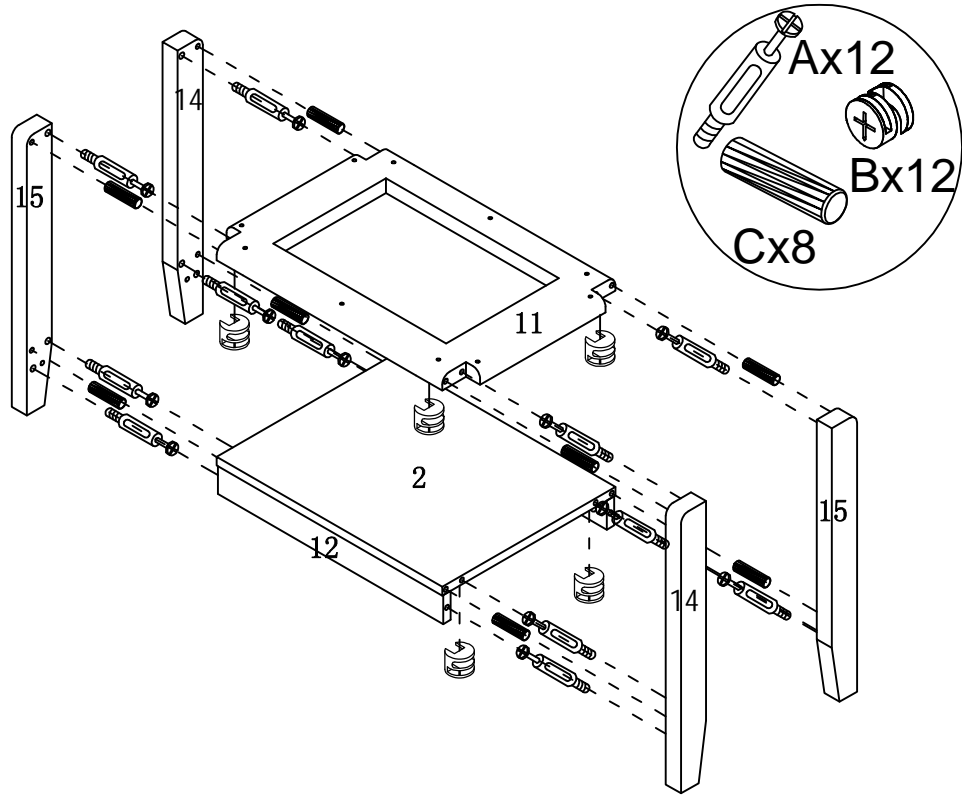
STEP2

STEP3



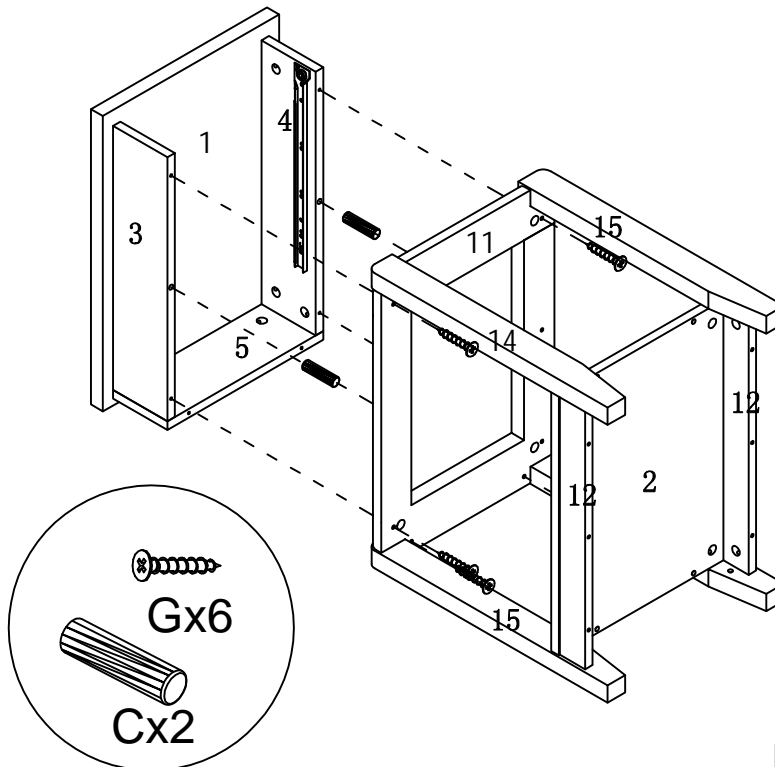
HARDWARE IDENTIFICATION

ITEM#:161829



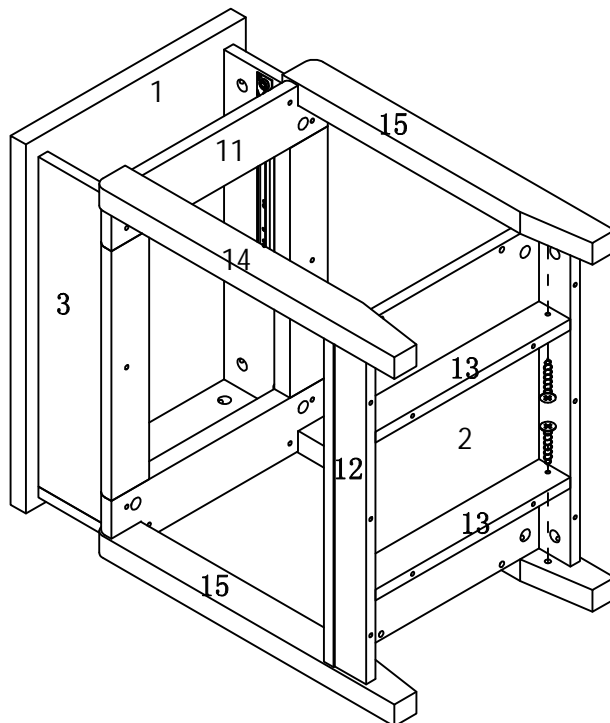
STEP4

STEP5



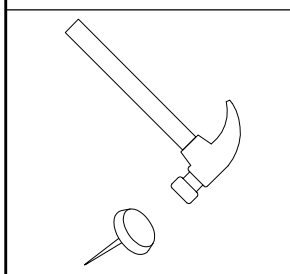
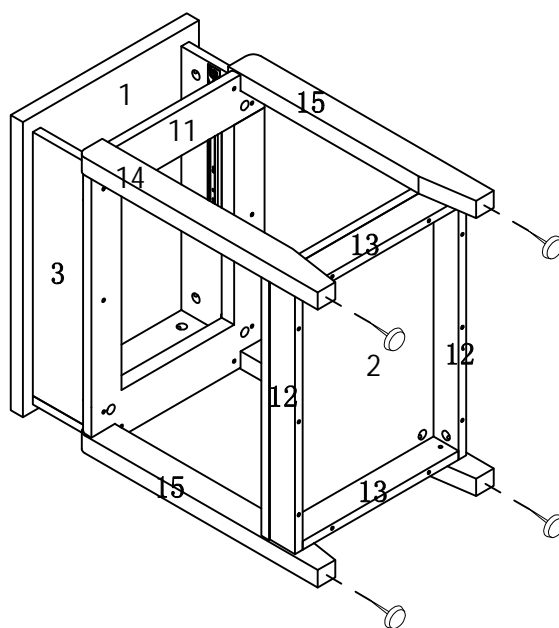
HARDWARE IDENTIFICATION

ITEM#:161829



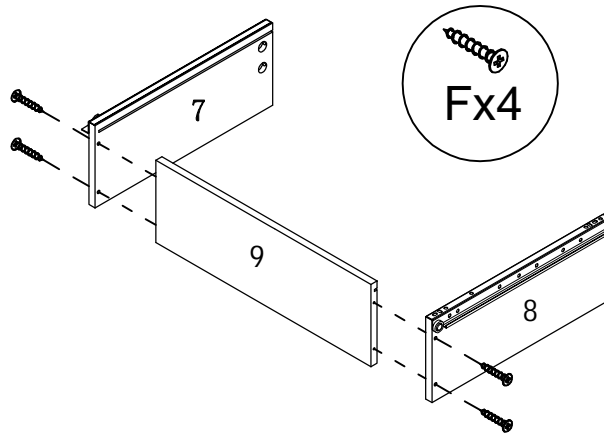
STEP6

STEP7



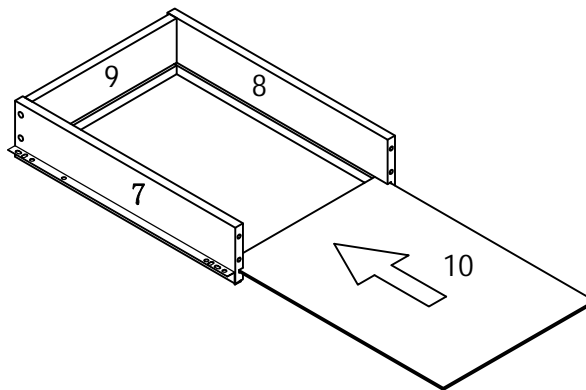
HARDWARE IDENTIFICATION

ITEM#:161829



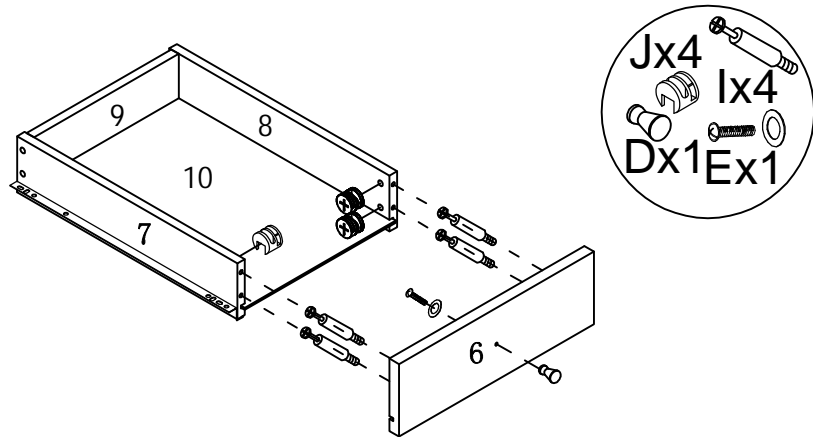
STEP8

STEP9



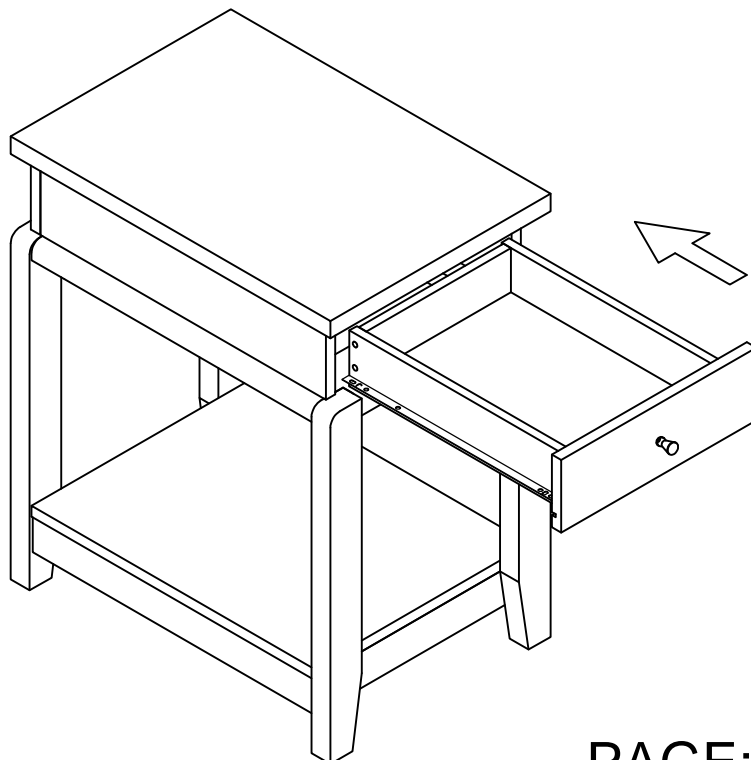
HARDWARE IDENTIFICATION

ITEM#:161829



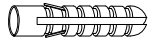
STEP10

STEP11

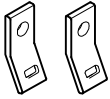


ANTI-TIPPING STRAP INSTRUCTION

HARDWARE (INCLUDED):



DRYWALL ANCHOR $\phi 8 \times 40$ X 1PC



METAL BRACKETS $12 \times 12 \times 1$ X 2PCS



DRYWALL SCREW $\phi 5 \times 40$ X 1PC

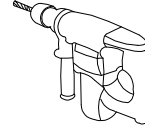


STRAP $197 \times 5 \times 1$ X 1PC

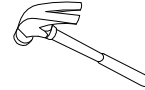


FLATHEAD SCREW $\phi 4 \times 25$ X 1PC

TOOLS NEEDED (NOT INCLUDED):



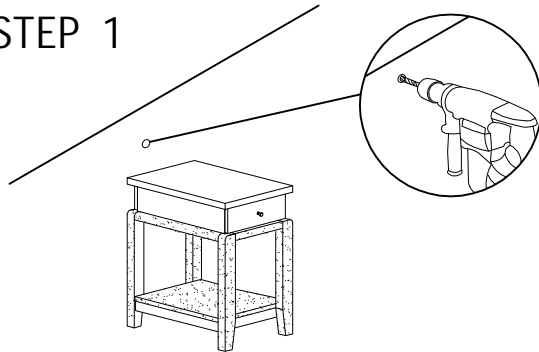
DRILL & DRILL BIT



LIGHT HAMMER

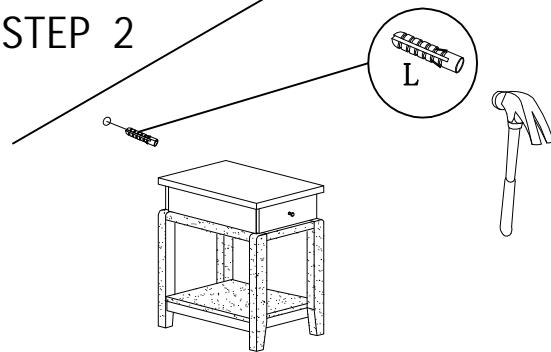
Note: Hardware included only compatible with standard drywalls.

STEP 1



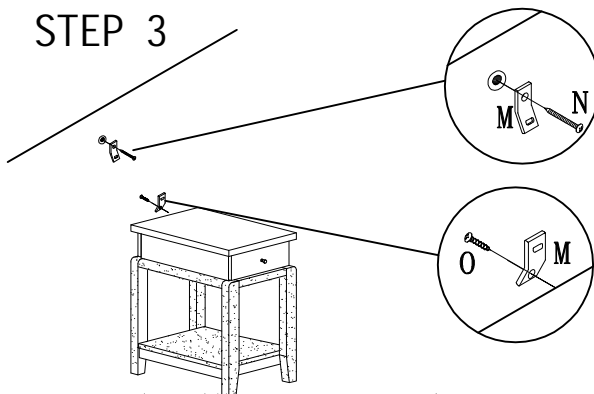
1. Find spot on wall 1" below top of item.
2. Using a drill bit slightly thinner than anchor, drill hole into drywall.

STEP 2



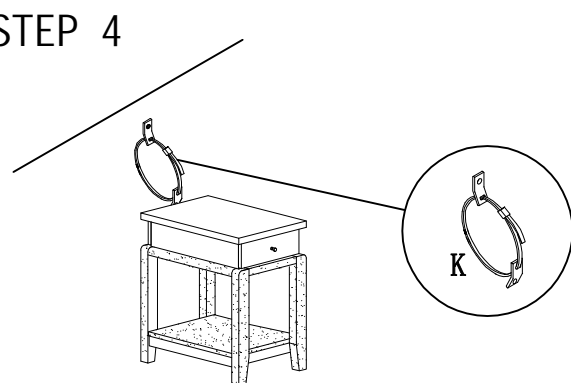
1. Use a light hammer to tap anchor into hole.
2. Anchor should fit snugly. If hole is too small, drill again to increase hole size. Do not force anchor into wall.

STEP 3



1. Insert drywall screw into metal bracket and into drywall anchor.
2. Insert flathead screw into second metal bracket and into back of item along top edge.

STEP 4



1. Insert strap thru bracket attached to wall, then thru bracket on item, and into head of strap.
 2. pull lightly til strap stops.
- Assembly is complete.