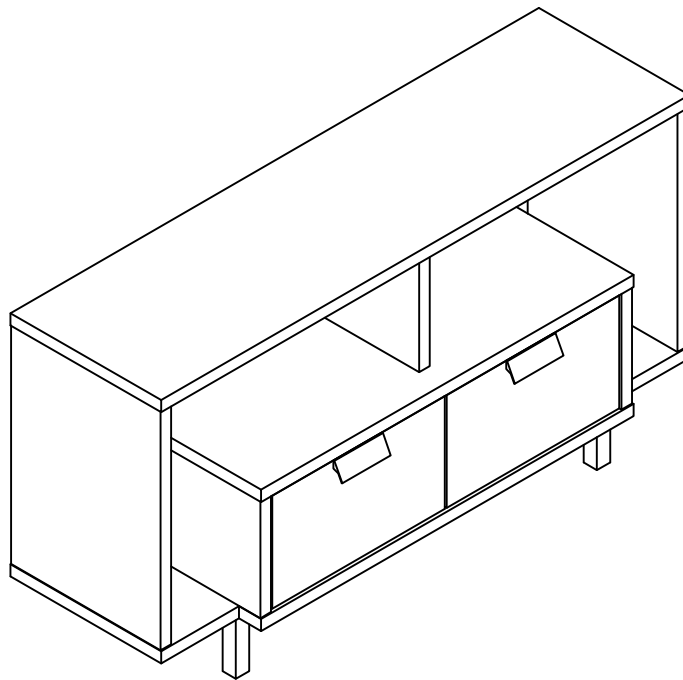


# ASSEMBLY INSTRUCTION

---

ITEM#: 192657



# ASSEMBLY INSTRUCTION

---

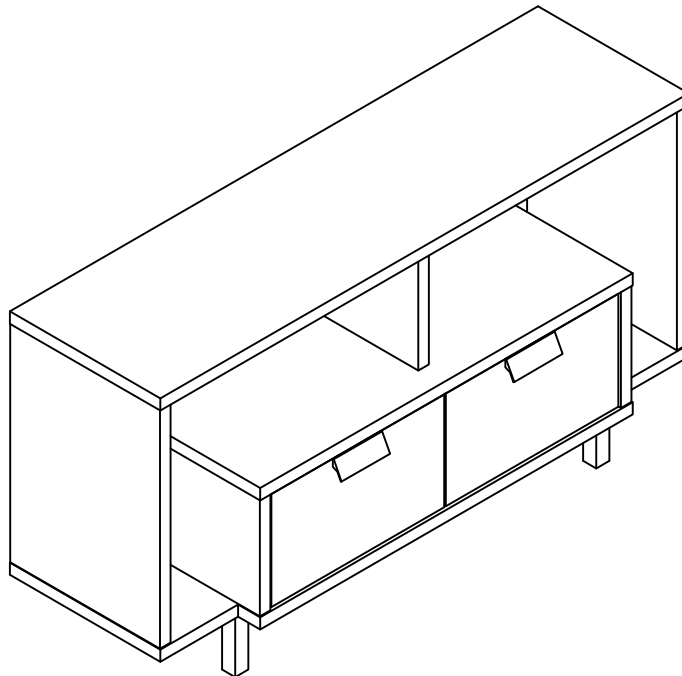
## PLEASE READ BEFORE ASSEMBLING!

Tip #1: Make sure you've taken all the pieces and hardware out of its packaging before discarding the box.

Tip #2: Using page 2 and/or page 3 of instruction manual make sure all pieces and hardware are accounted for.

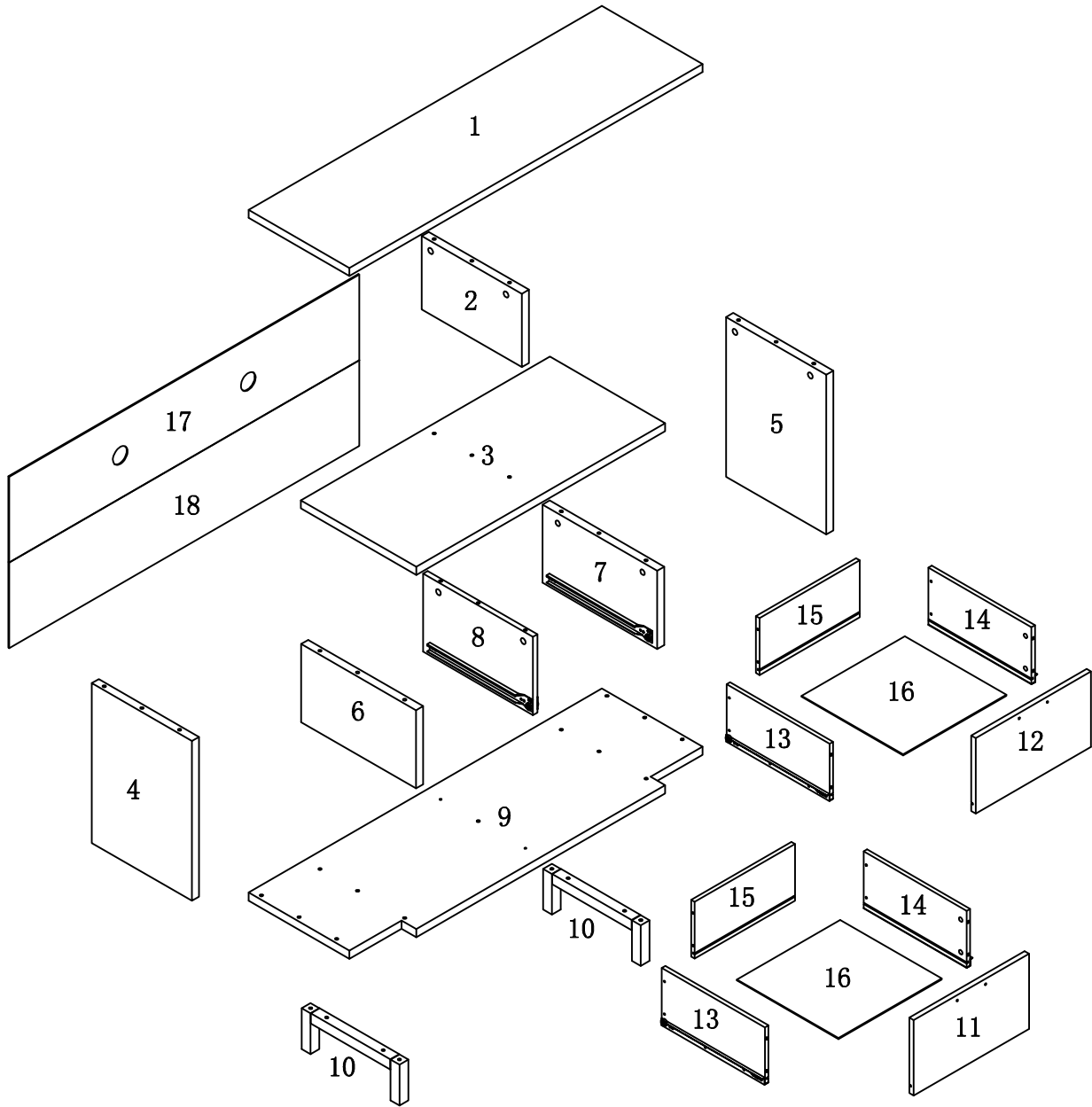
Tip #3: Read manual before assembling, it helps!

ITEM#: 192657



# PARTS IDENTIFICATION

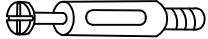


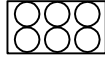


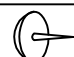


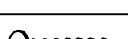
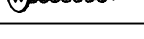


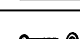

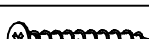
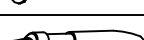
ITEM#: 192657



(1)	1pc	(8)	1pc	(15)	2pcs
(2)	1pc	(9)	1pc	(16)	2pcs
(3)	1pc	(10)	2pcs	(17)	1pc
(4)	1pc	(11)	1pc	(18)	1pc
(5)	1pc	(12)	1pc		
(6)	1pc	(13)	2pcs		
(7)	1pc	(14)	2pcs		

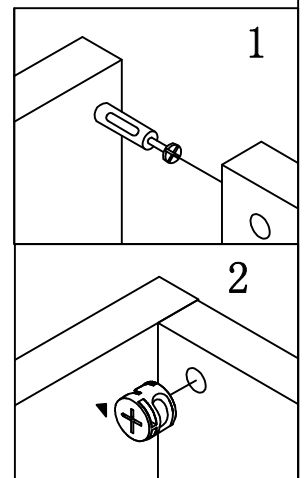
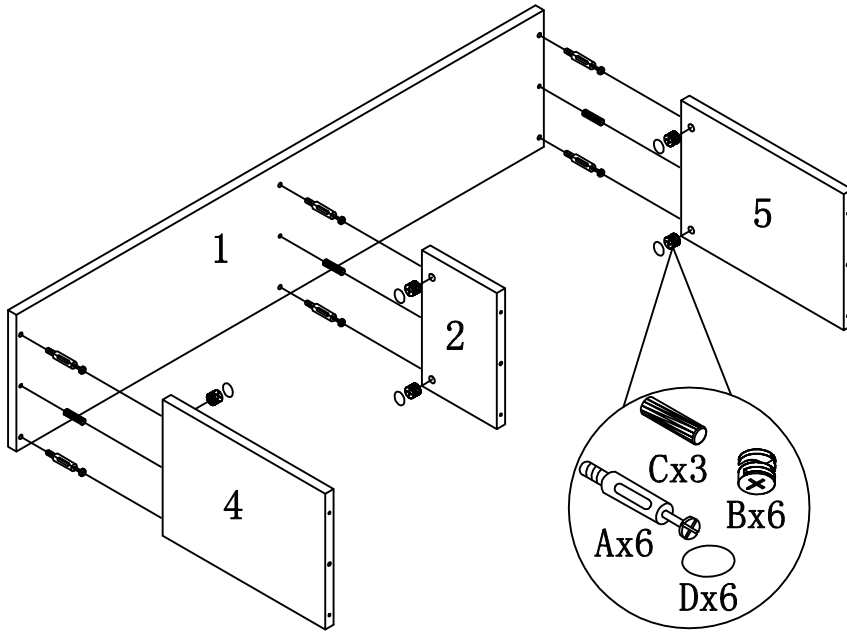
# HARDWARE IDENTIFICATION

ITEM#: 192657

A		L29	12pcs
B		ø 15	12pcs
C		ø 8x25	16pcs
D		ø 22	6pcs
E		ø 7x48	10pcs
F		ø 8xø 16x2	14pcs
G		ø 16	4pcs
H		M6x40	4pcs
I			40pcs
J		ø 4x30	8pcs
K		L20	8pcs
L		ø 12	8pcs
M		96#	2pcs
N		ø 4x20	4pcs
O		M4	1pc
P		ø 4x40	2pcs
Q		Glue: For securing please apply to wood dowel first before inserting into panel	1pc

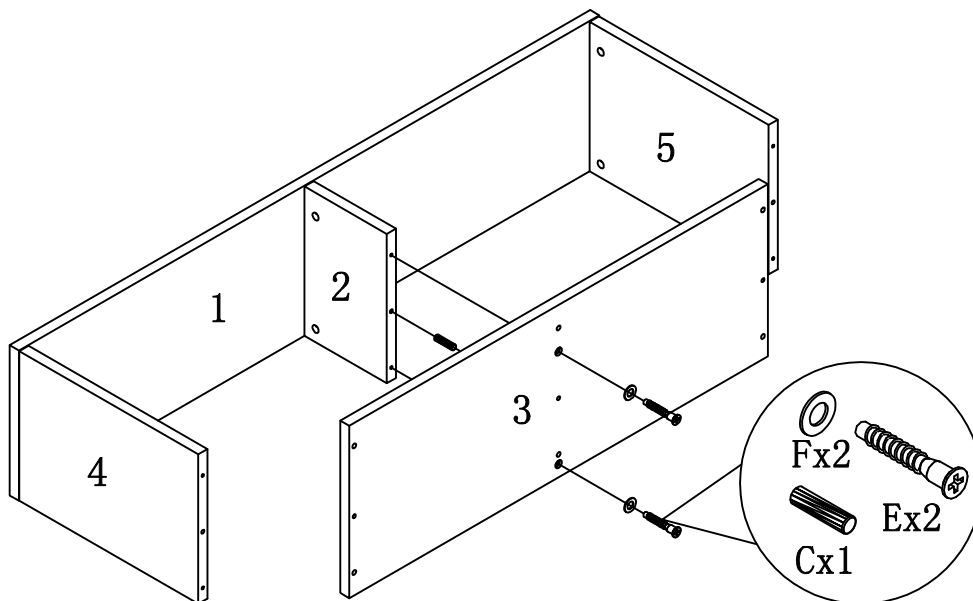
# ASSEMBLY INSTRUCTION

ITEM#: 192657



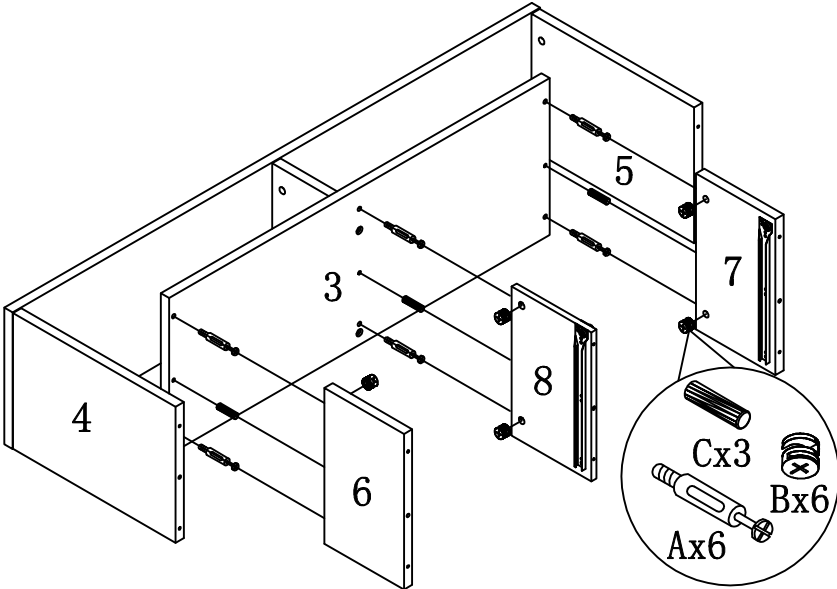
STEP 1

STEP 2



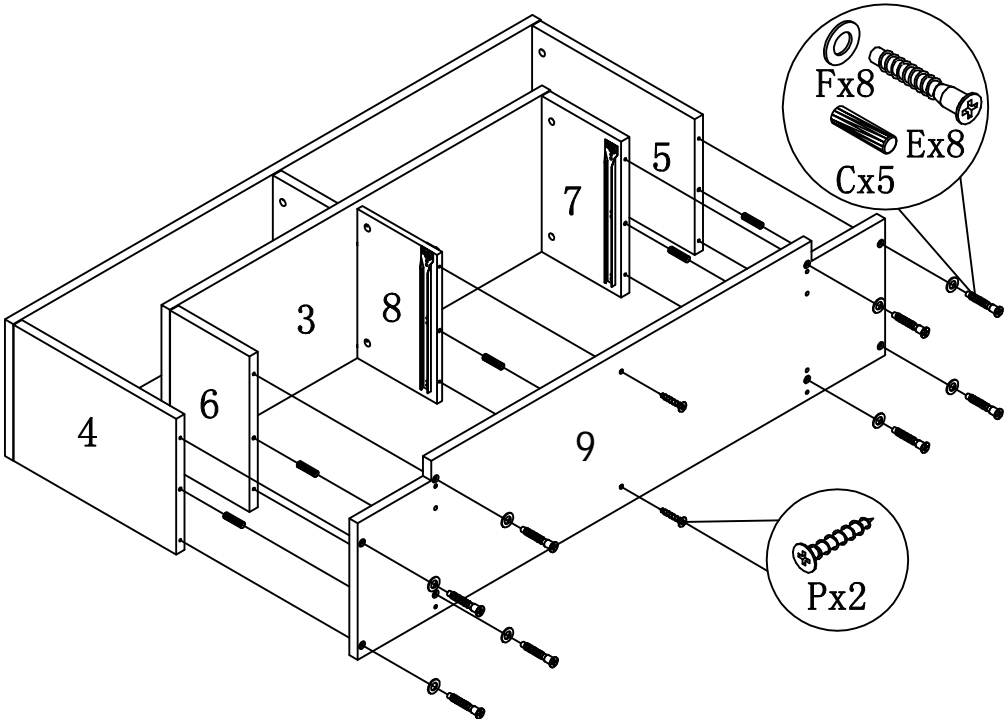
# ASSEMBLY INSTRUCTION

ITEM#: 192657



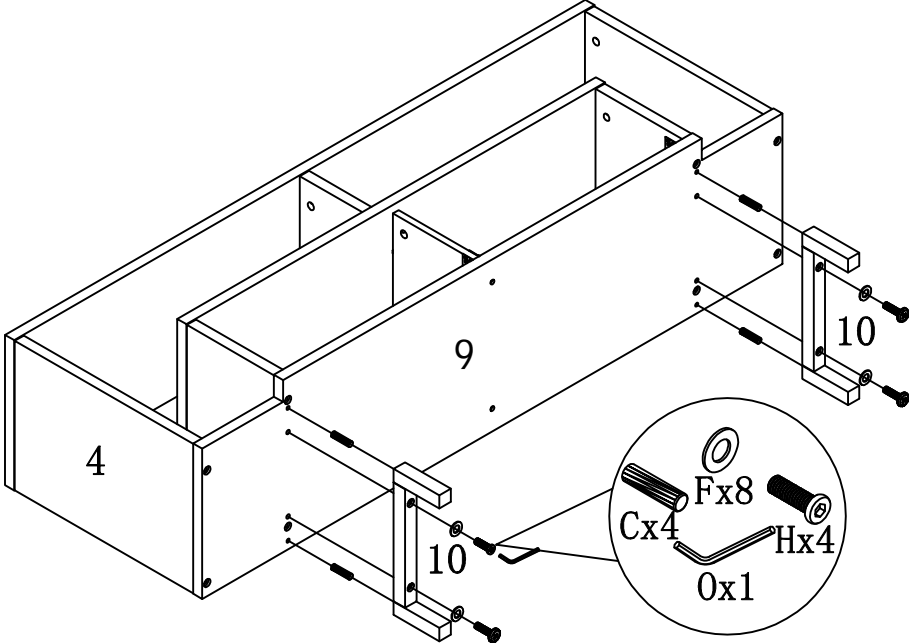
STEP3

STEP4



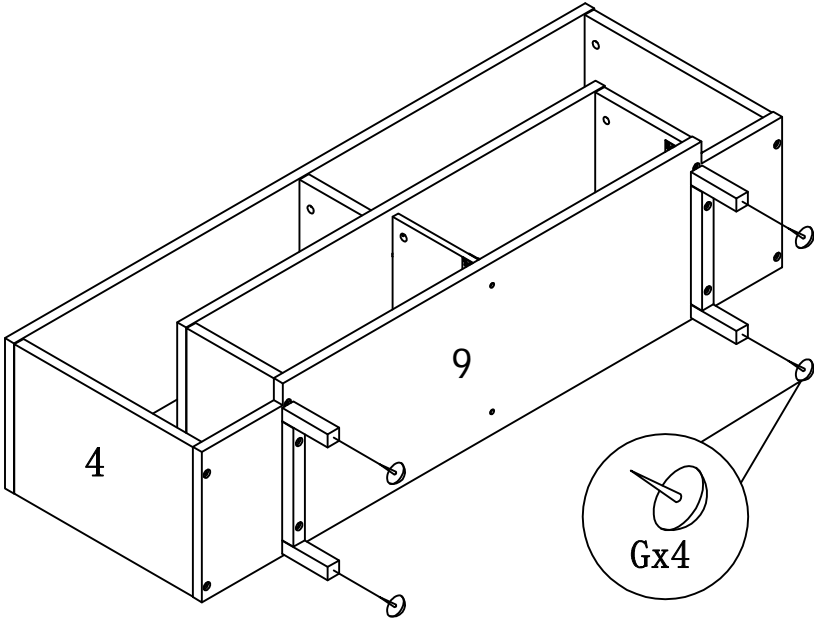
# ASSEMBLY INSTRUCTION

ITEM#: 192657



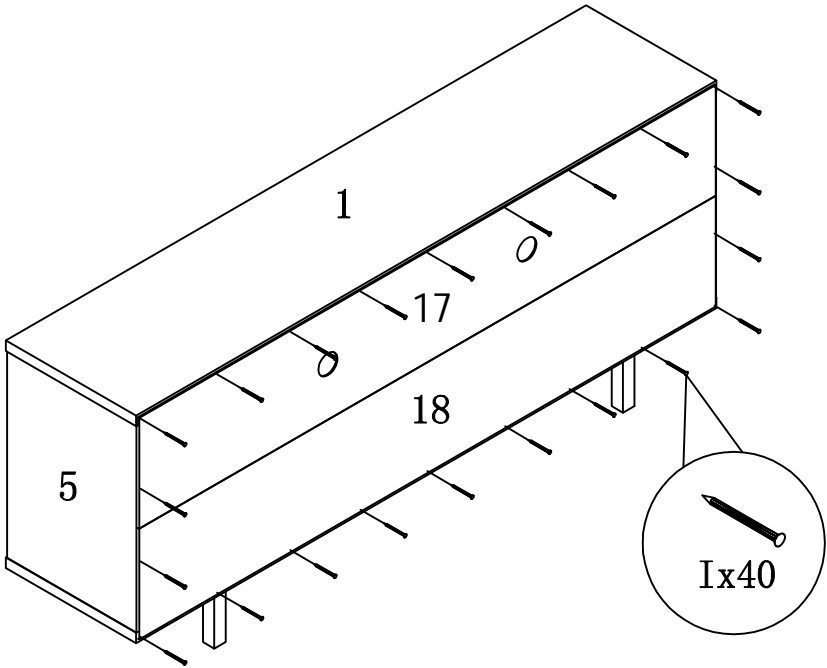
STEP5

STEP6



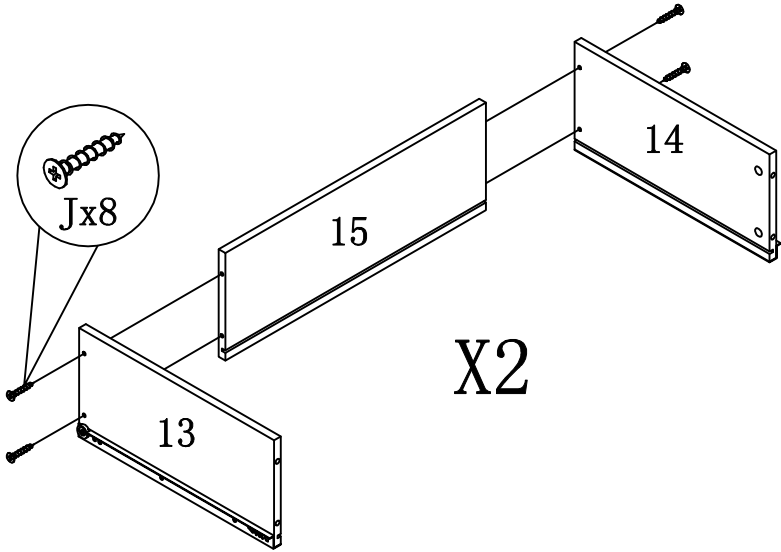
# ASSEMBLY INSTRUCTION

ITEM#: 192657



STEP7

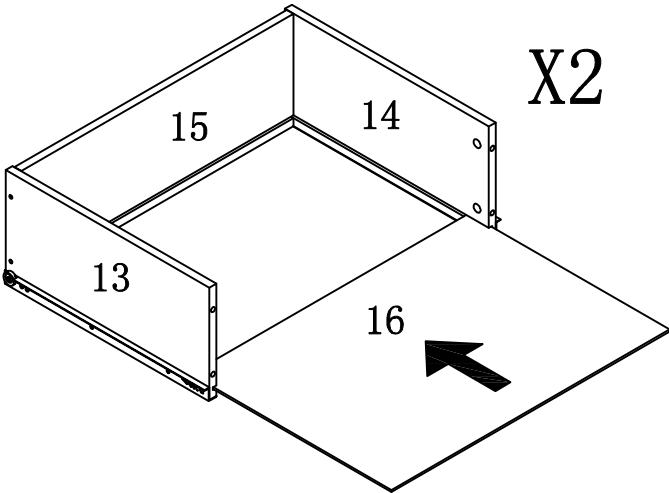
STEP8





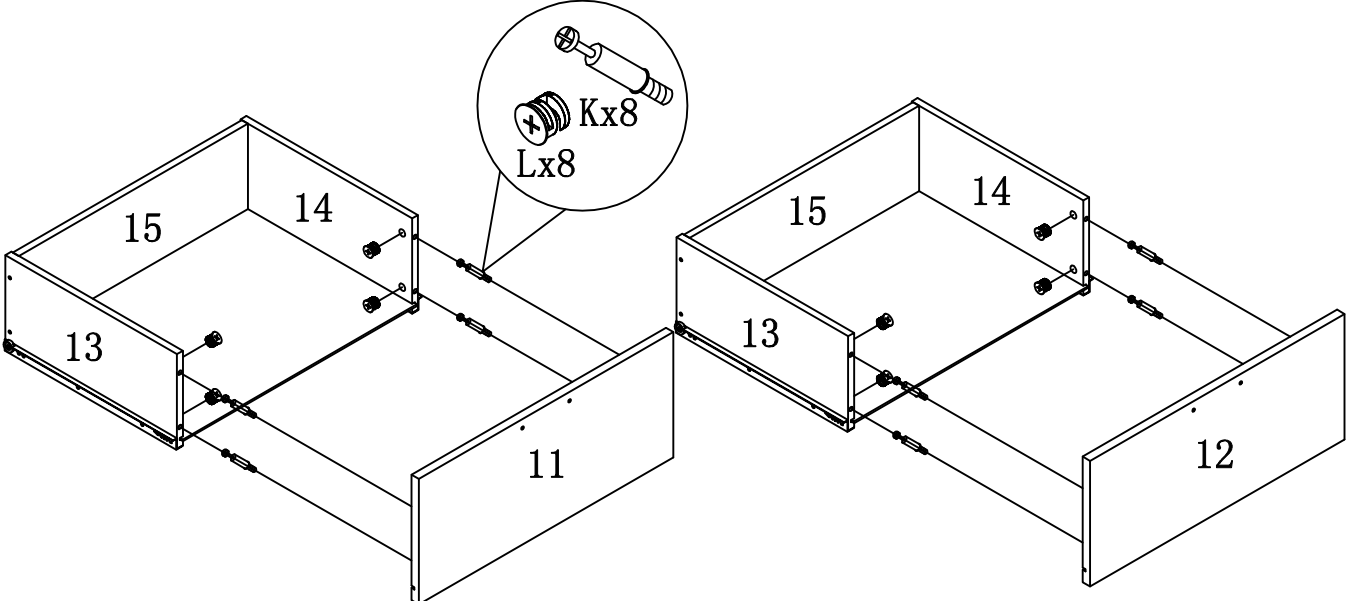
# ASSEMBLY INSTRUCTION

ITEM#: 192657



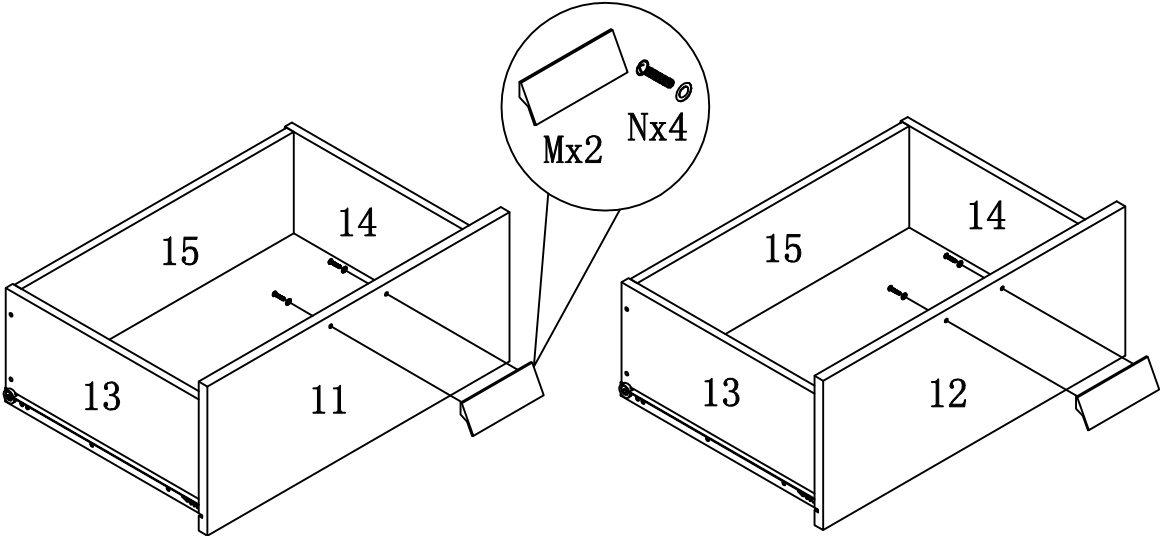
STEP9

STEP10



# ASSEMBLY INSTRUCTION

ITEM#: 192657



STEP11

STEP12

