

ASSEMBLY INSTRUCTION

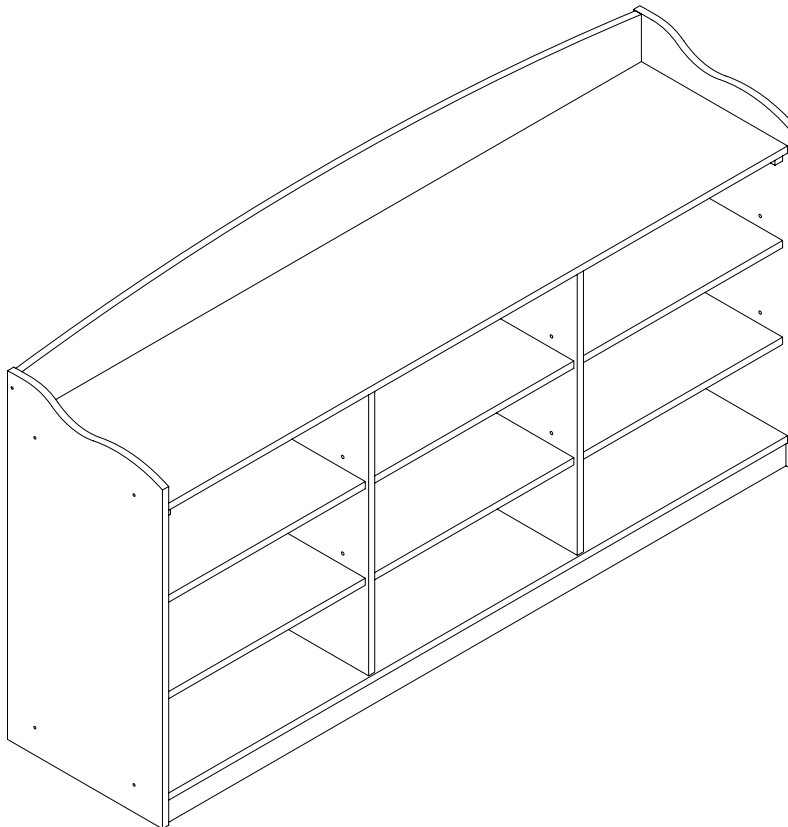
PLEASE READ BEFORE ASSEMBLING!

Tip #1: Make sure you've taken all the pieces and hardware out of its packaging before discarding the box.

Tip #2: Using page 2 and/or page 3 of instruction manual make sure all pieces and hardware are accounted for.

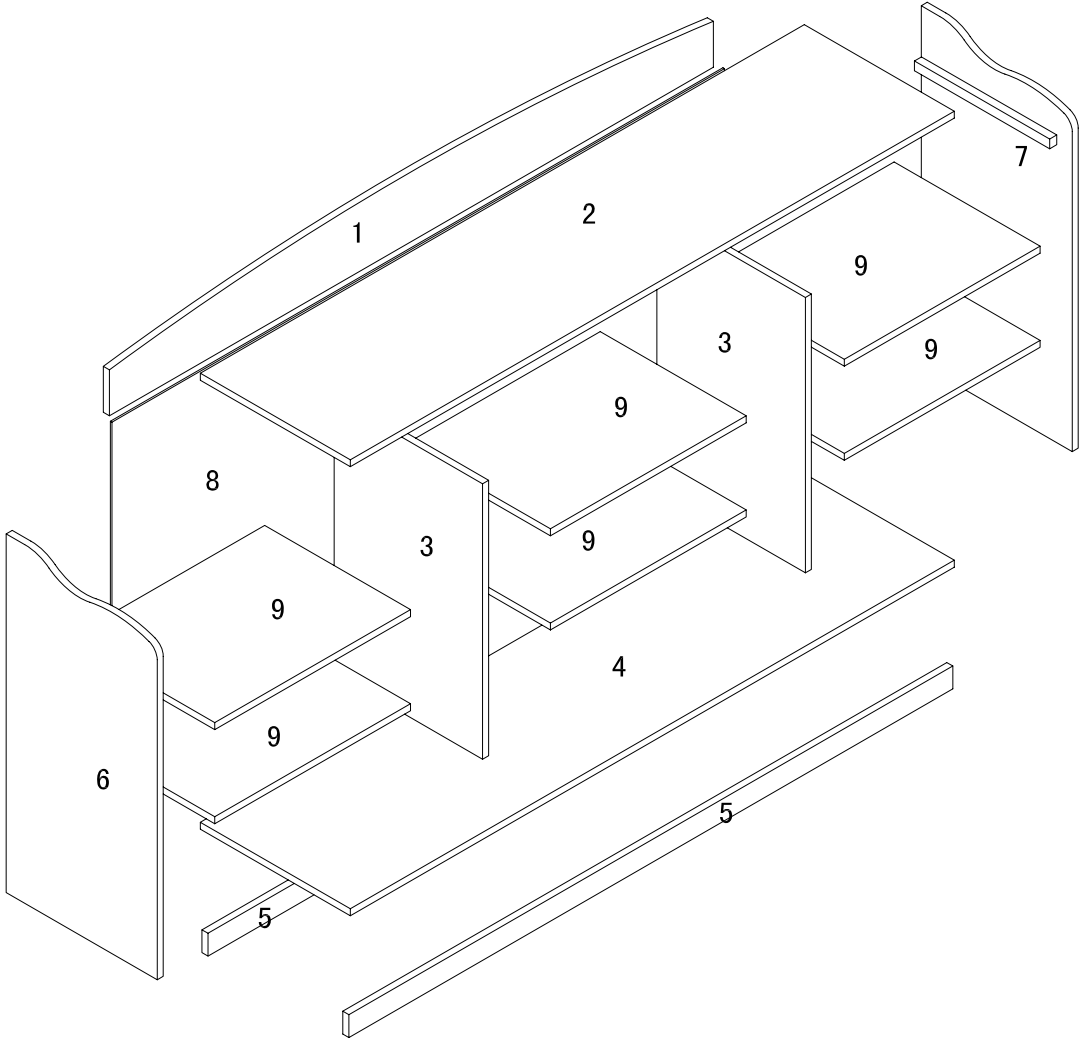
Tip #3: Read manual before assembling, it helps!

ITEM#: 29272



PARTS IDENTIFICATION

ITEM#: 29272

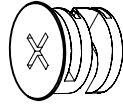


- | | | | |
|-----|------|-----|------|
| (1) | 1PC | (8) | 1PC |
| (2) | 1PC | (9) | 6PCS |
| (3) | 2PCS | | |
| (4) | 1PC | | |
| (5) | 2PCS | | |
| (6) | 1PC | | |
| (7) | 1PC | | |

HARDWARE IDENTIFICATION

ITEM#: 29272

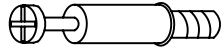
A



ø12

4PCS

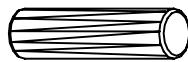
B



L20

4PCS

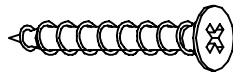
C



ø6x30

23PCS

D



ø4x30

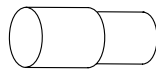
14PCS

E



40PCS

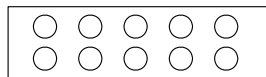
F



ø5

24PCS

G



ø13

10PCS

H

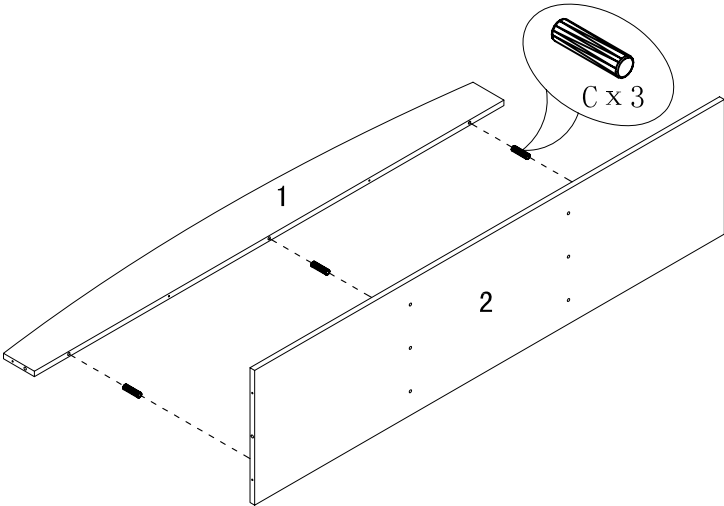


It's used for stick the stopper
to the connecting hole firmly

1PC

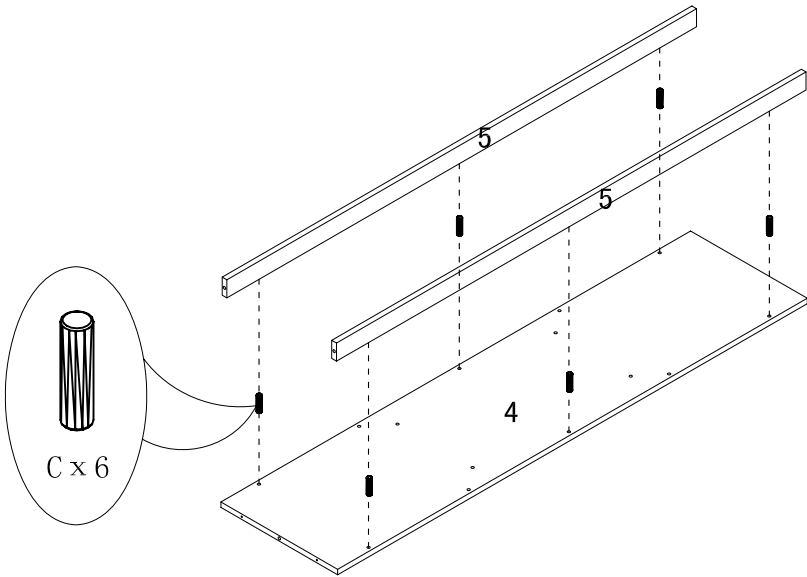
ASSEMBLY INSTRUCTION

ITEM#: 29272



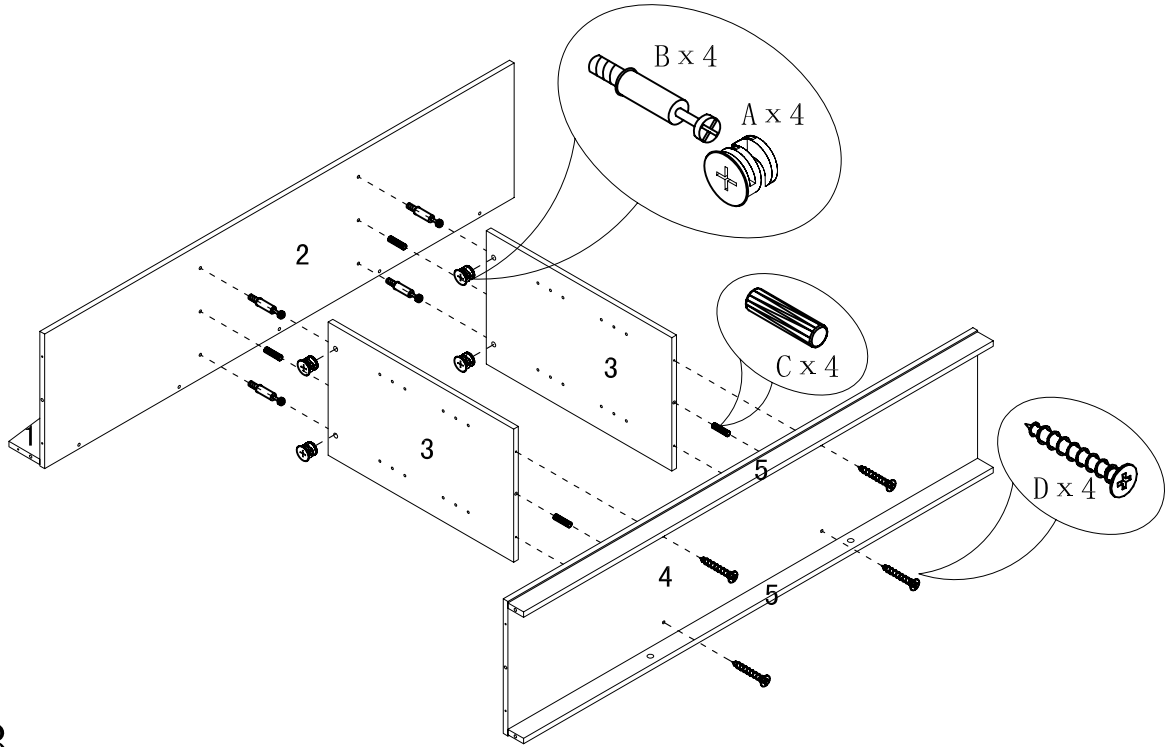
STEP 1

STEP 2



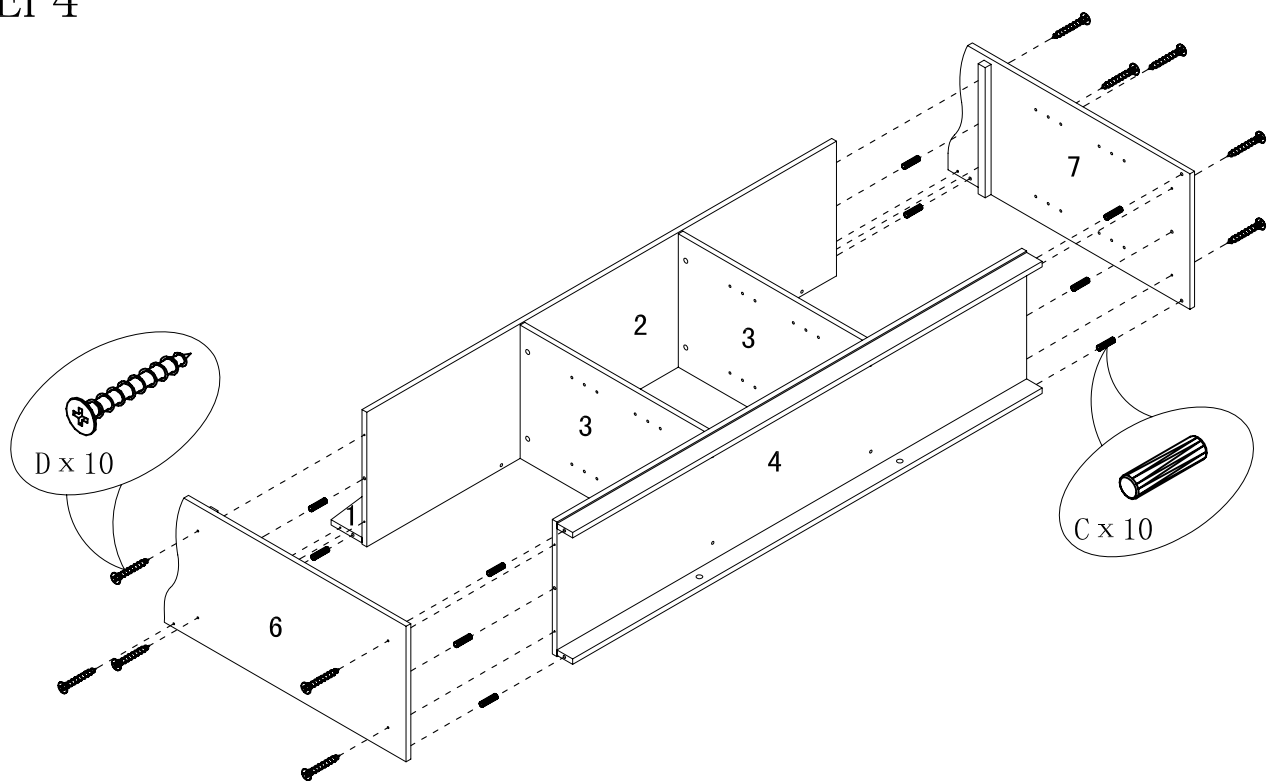
ASSEMBLY INSTRUCTION

ITEM#: 29272



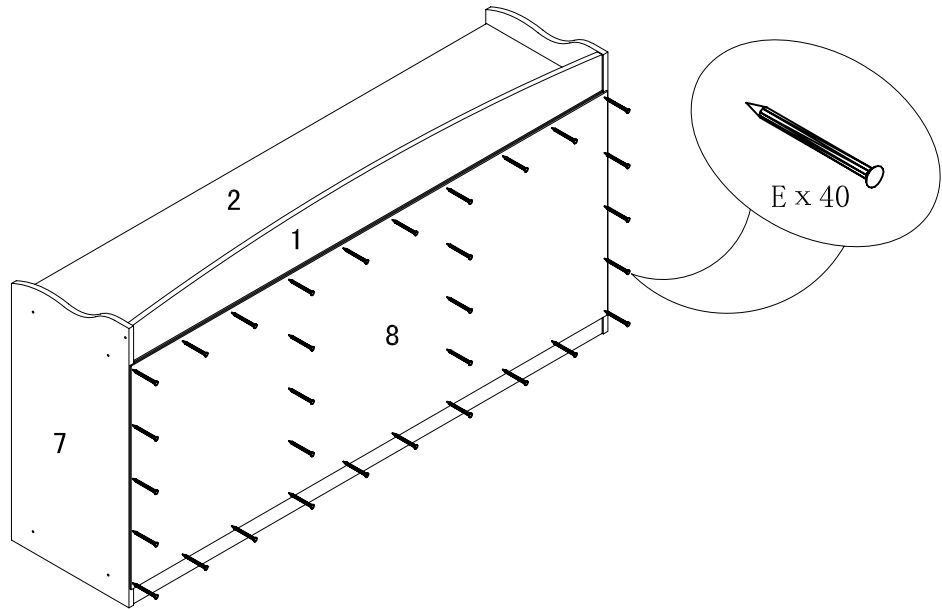
STEP3

STEP4



ASSEMBLY INSTRUCTION

ITEM#: 29272



STEP5

STEP6

