

ASSEMBLY INSTRUCTION

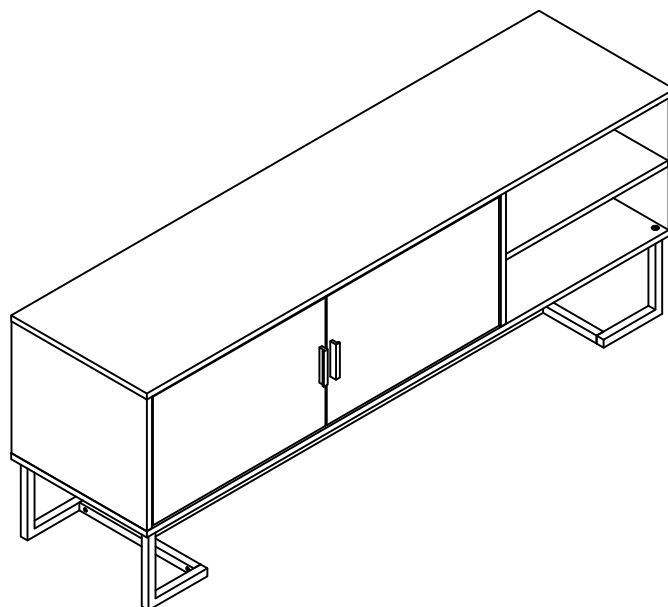
PLEASE READ BEFORE ASSEMBLING!

Tip #1: Make sure you've taken all the pieces and hardware out of its packaging before discarding the box.

Tip #2: Using page 2 and/or page 3 of instruction manual make sure all pieces and hardware are accounted for.

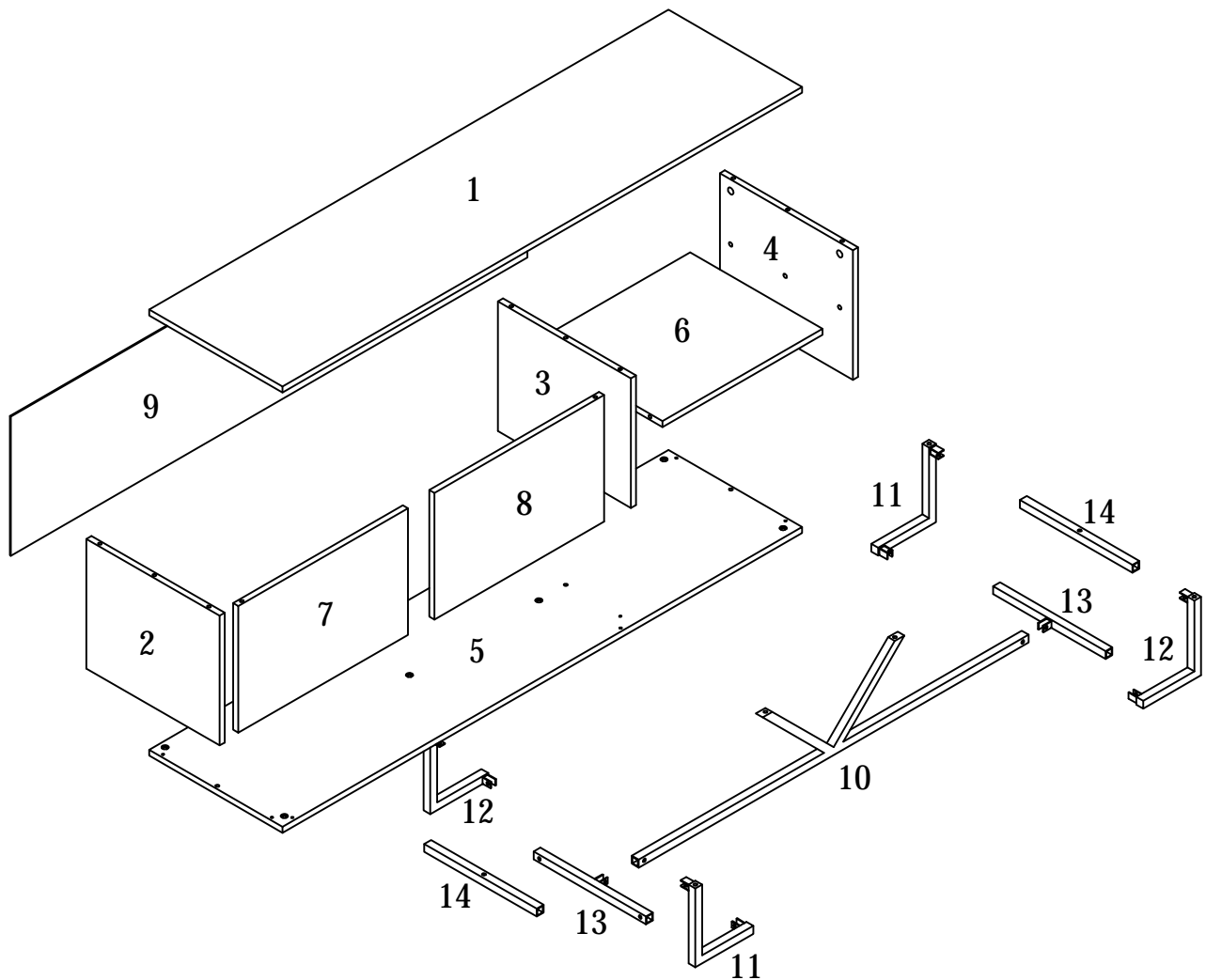
Tip #3: Read manual before assembling, it helps!

ITEM#: 223147/223148/223149



PARTS IDENTIFICATION

ITEM#: 223147/223148/223149

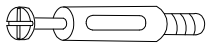


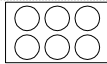
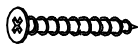


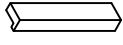




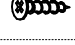
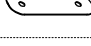




(1)	1pc	(7)	1pc	(13)	2pcs
(2)	1pc	(8)	1pc	(14)	2pcs
(3)	1pc	(9)	1pc		
(4)	1pc	(10)	1pc		
(5)	1pc	(11)	2pcs		
(6)	1pc	(12)	2pcs		

PAGE:2 OF 9

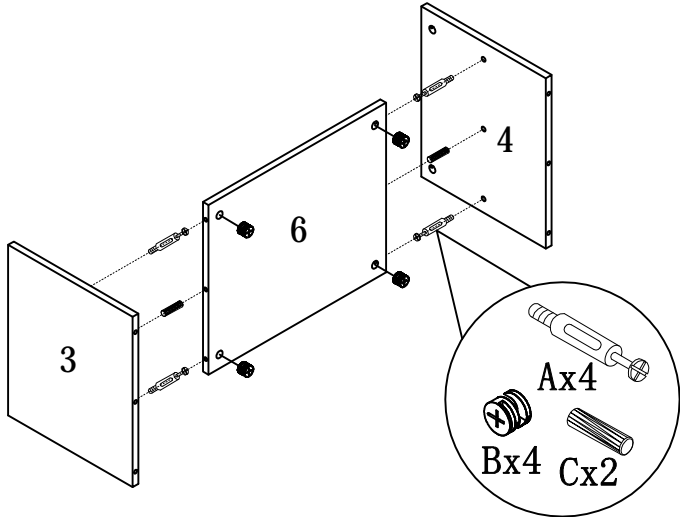
HARDWARE IDENTIFICATION

ITEM#: 223147/223148/223149

A		L29	10pcs
B		∅15	10pcs
C		∅8x25	8pcs
D		∅22	12pcs
E		∅4x40	6pcs
F		M6x25	6pcs
G		M6x12	10pcs
H		64#	2pcs
I			40pcs
J		∅4x20	4pcs
K			2pcs
L			2pcs
M		∅3x16	4pcs
N			2pcs
O		∅3x14	4pcs
P		M6x30	2pcs

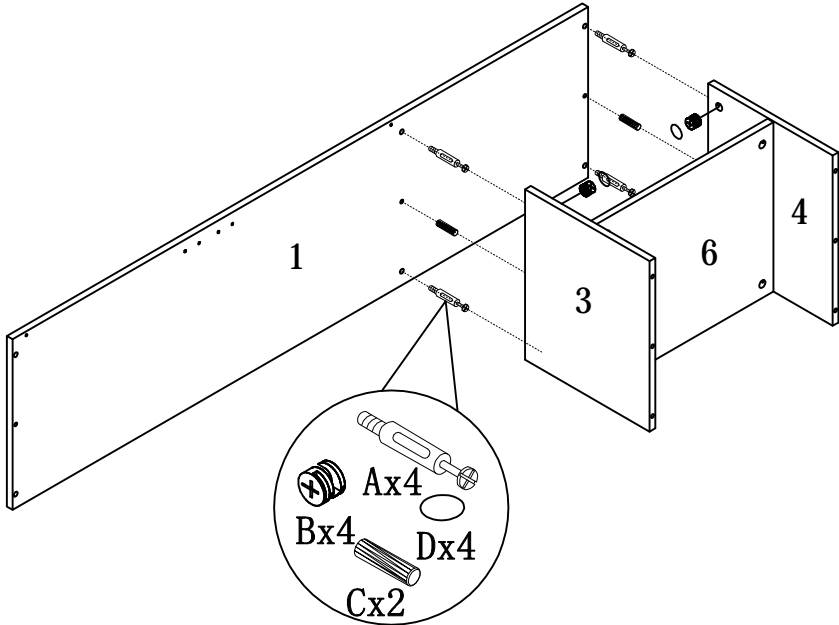
ASSEMBLY INSTRUCTION

ITEM#: 223147/223148/223149



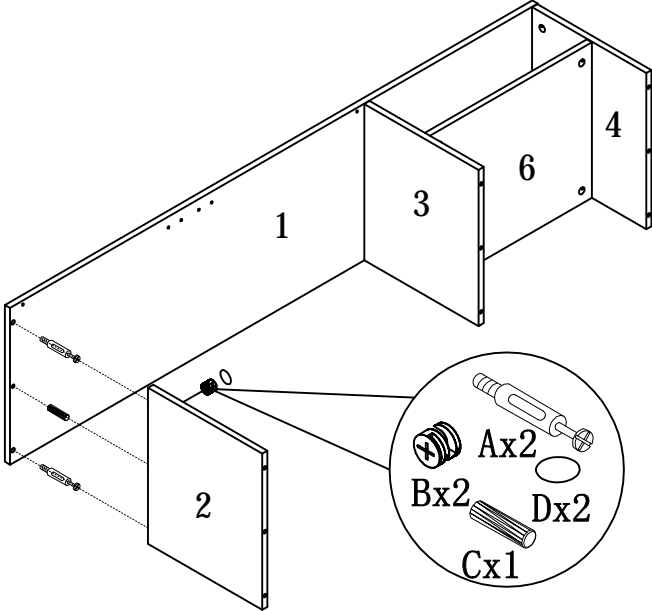
STEP 1

STEP 2



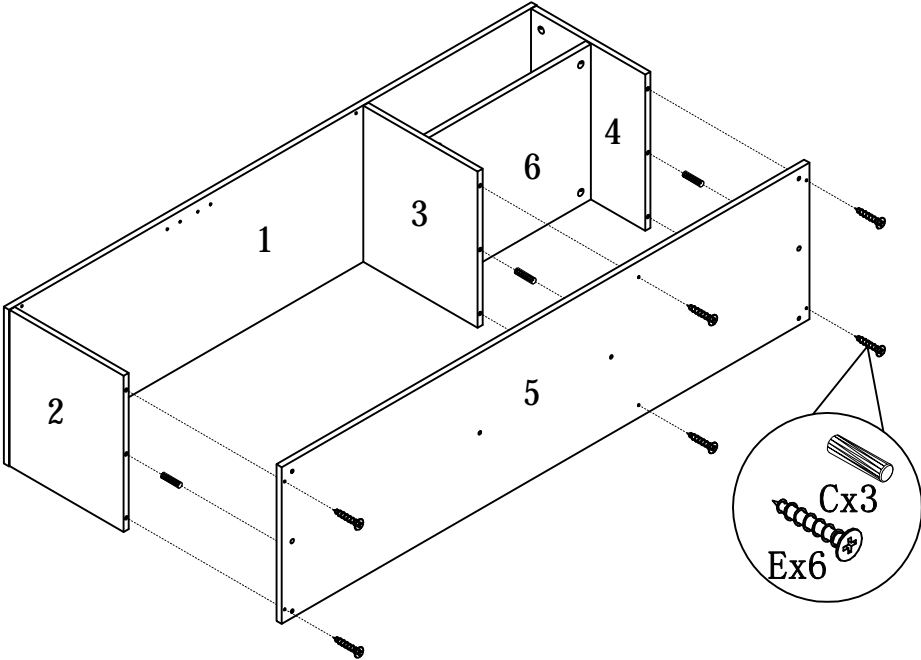
ASSEMBLY INSTRUCTION

ITEM#: 223147/223148/223149



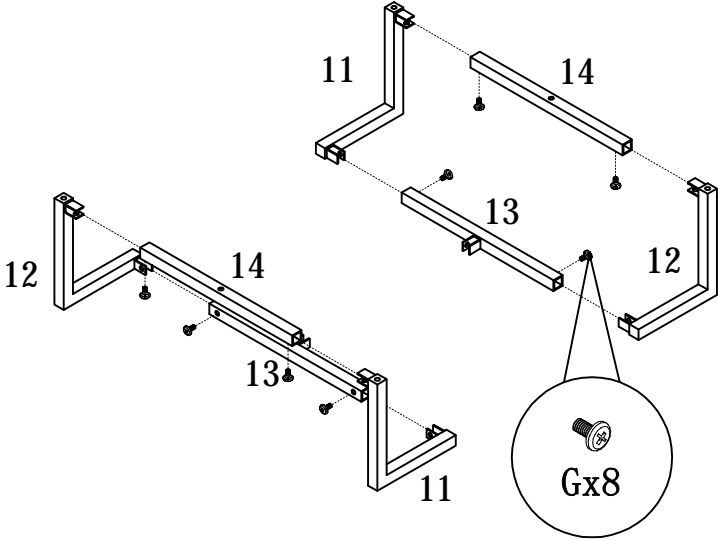
STEP3

STEP4



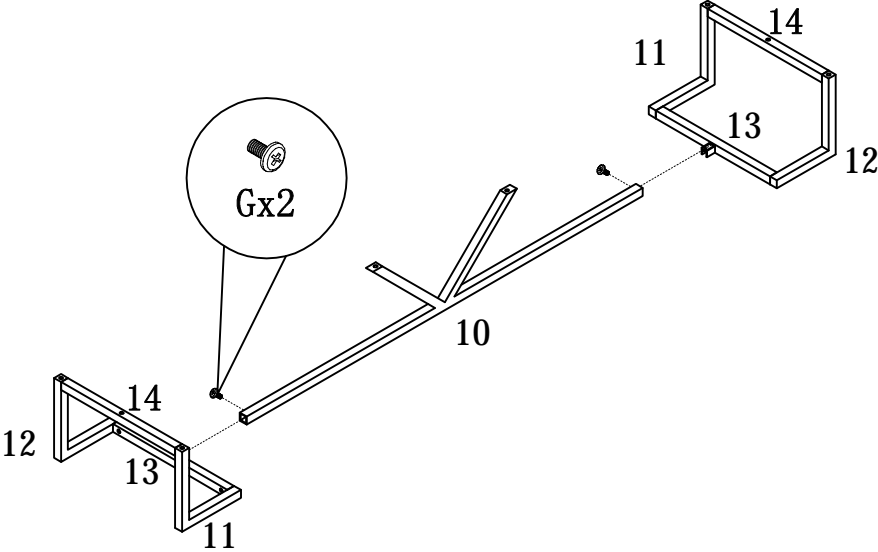
ASSEMBLY INSTRUCTION

ITEM#: 223147/223148/223149



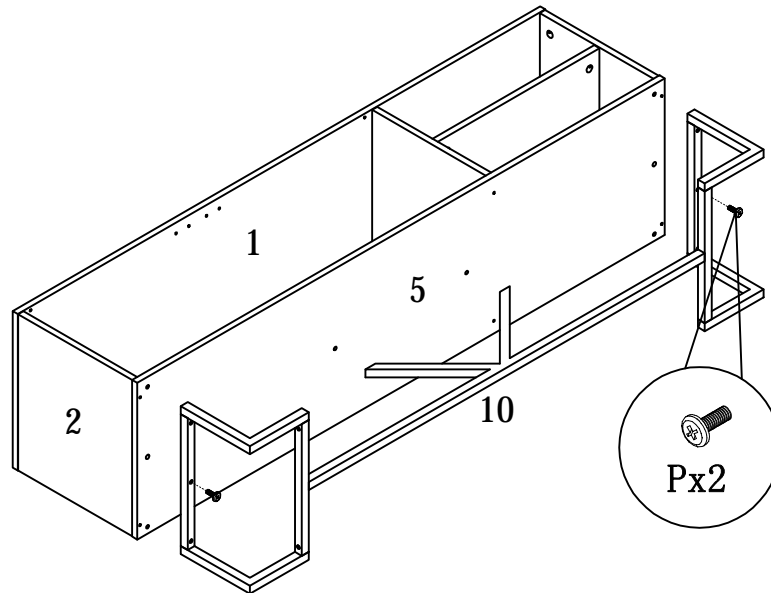
STEP5

STEP6



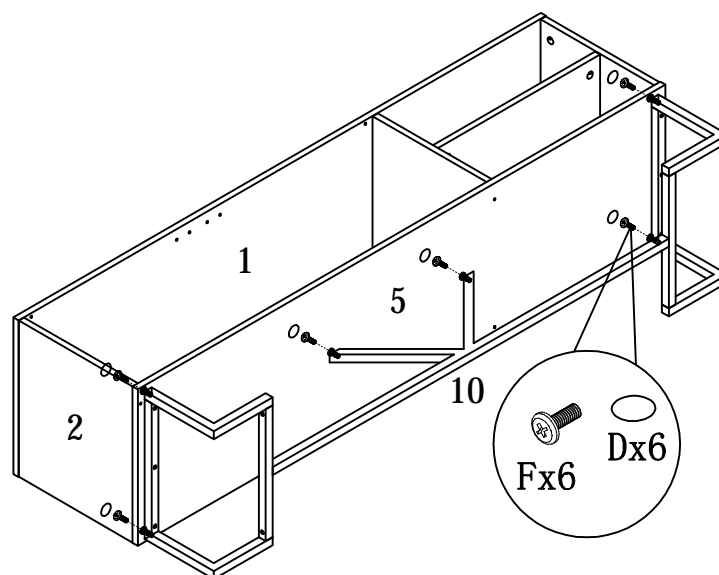
ASSEMBLY INSTRUCTION

ITEM#: 223147/223148/223149



STEP7

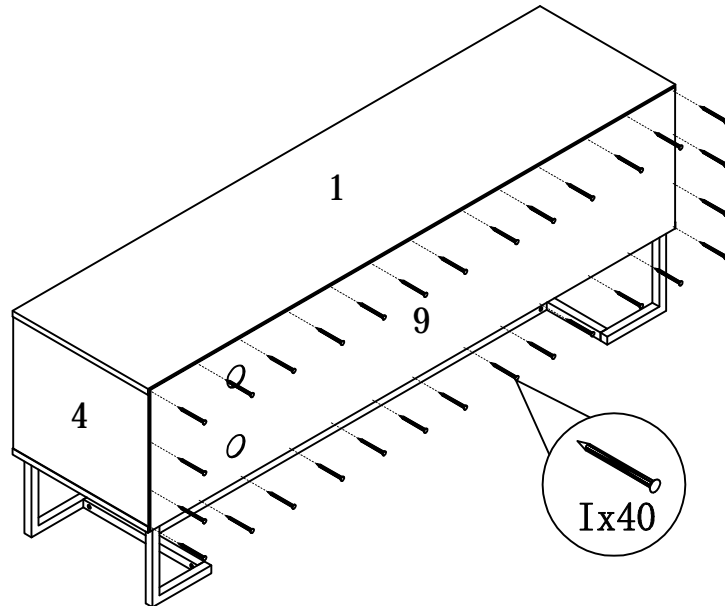
STEP8



PAGE: 7 OF 9

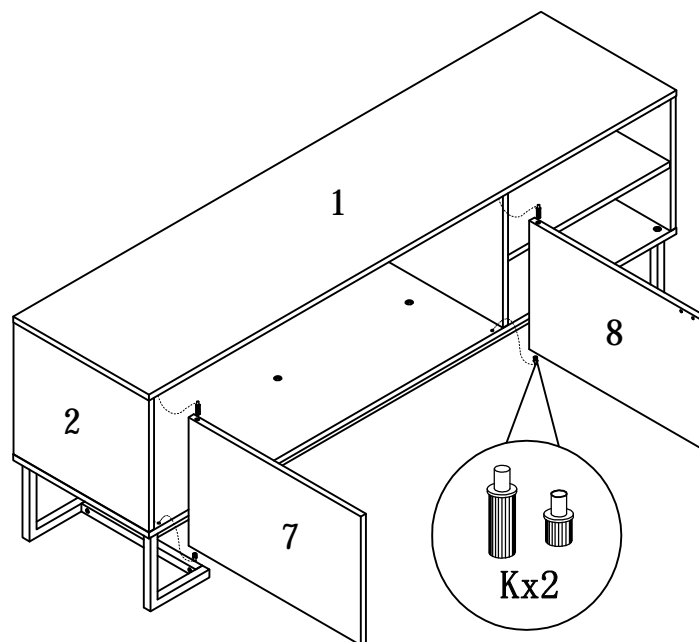
ASSEMBLY INSTRUCTION

ITEM#: 223147/223148/223149



STEP9

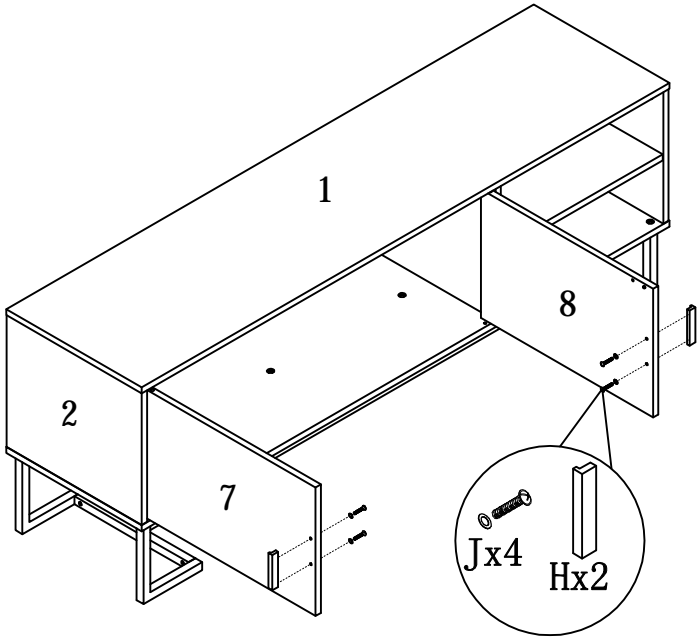
STEP10



PAGE: 8 OF 9

ASSEMBLY INSTRUCTION

ITEM#: 223147/223148/223149



STEP11

STEP12

