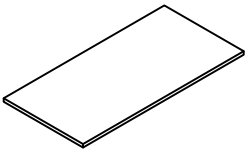

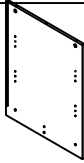
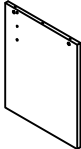
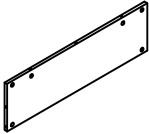
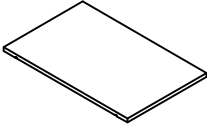
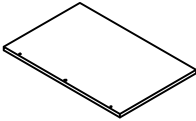
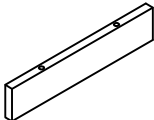


ASSEMBLY INSTRUCTION FOR

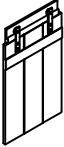

MODEL# 92205 /92705 DESK

Thank you for purchasing this quality product. Be sure to check all packing materials carefully for small parts which may have come loose inside the carton during shipment. Separate, identify, and count all parts and metal hardware. Compare with parts list to be sure all parts are present. If any part(s) are missing or damaged, please contact your local furniture dealer. For efficient and speedy service, please indicate the model number and code letter of the part(s) needed.




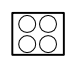
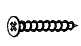


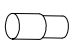
***** Do not fully tighten screws until fully assembled *****

COMPONENT PARTS		
DECERPTION	PART NAME	Q'TY(PCS)
1	TOP 	1PC
2	LEFT SIDE PANEL 	1PC
3	DIVIDER PANEL 	1PC
4	RIGHT SIDE PANEL 	1PC
5	BACK PANEL 	1PC
6	ADJUSTABLE SHELF 	2PCS
7	BOTTOM PANEL 	1PC
8	BOTTOM SUPPORT 	1PC





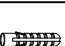

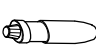
COMPONENT PARTS

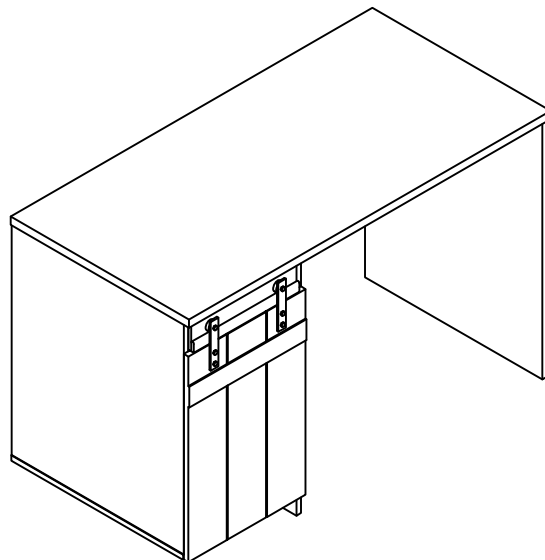
DECERPTION	PART NAME	Q'TY(PCS)
9	SLIDING DOOR 	1PC
10	BACK PANEL 	1PC

HARDWARE REQUIRED:

A		L29	16pcs
B		Ø15	16pcs
C		Ø8x25	9pcs
D		Ø22	12pcs
E		Ø4x40	2pcs
F		Ø4x16	8pcs
G		301A	2pcs
H		Ø5x15	8pcs

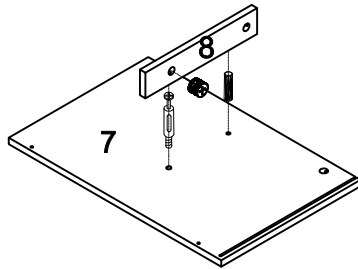
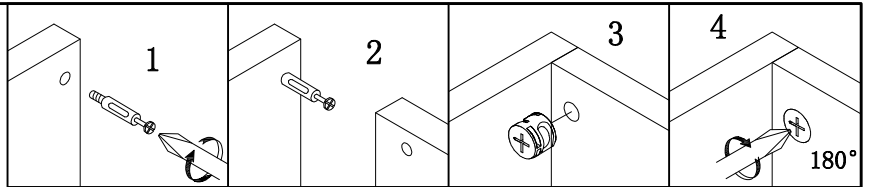
HARDWARE REQUIRED:




I		Ø16	5pcs
J		197x5x1	1pc
K		Ø4x25	1pc
L		Ø5x40	1pc
M		Ø8x40	1pc
N		12x12x1	2pcs
O		Glue: For securing please apply to wood dowel first before inserting into panel	1pc



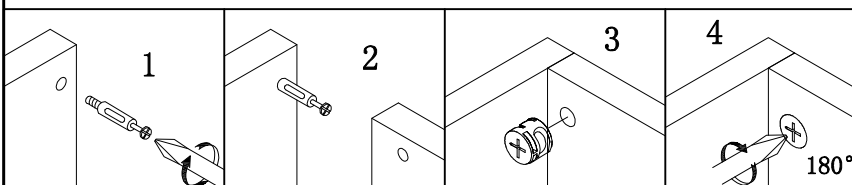
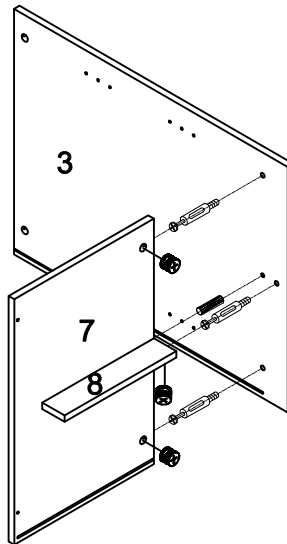
How to Assemble:




STEP 2.



A		1pc
B		1pc
C		1pc

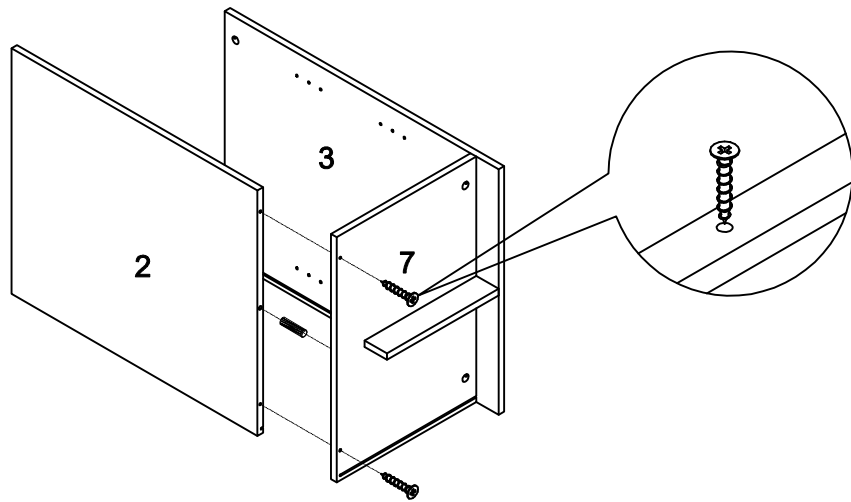
STEP 3.

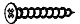



A		3pcs
B		3pcs
C		1pc

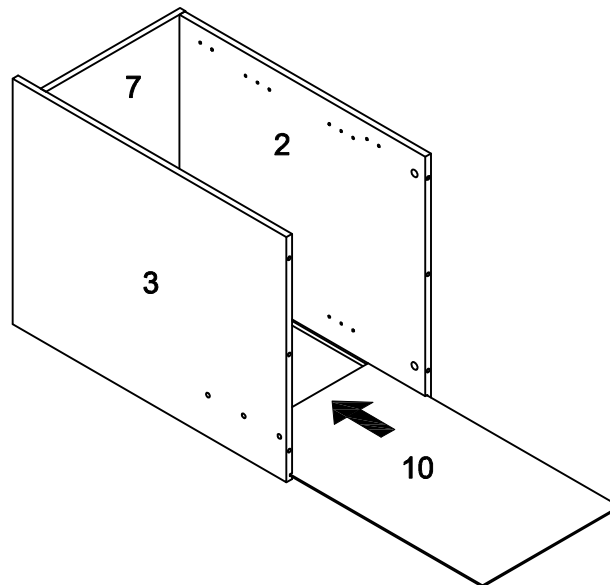
How to Assemble:

STEP 4.



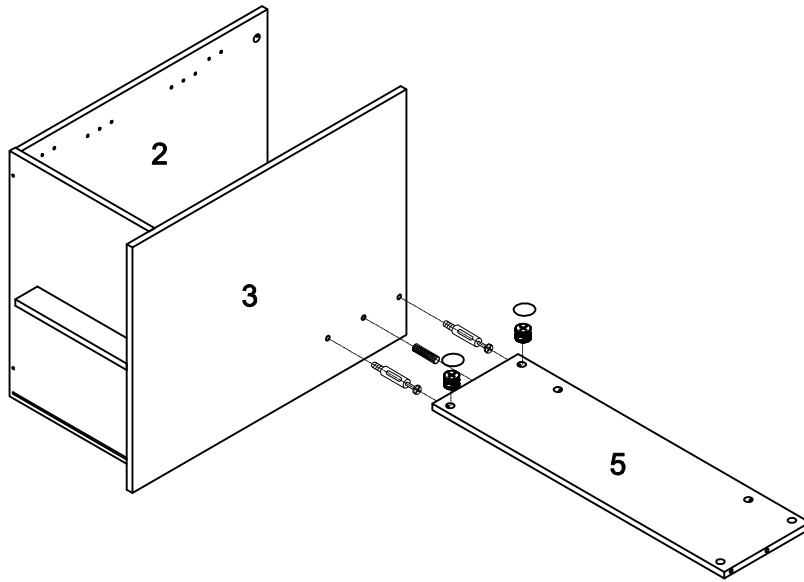
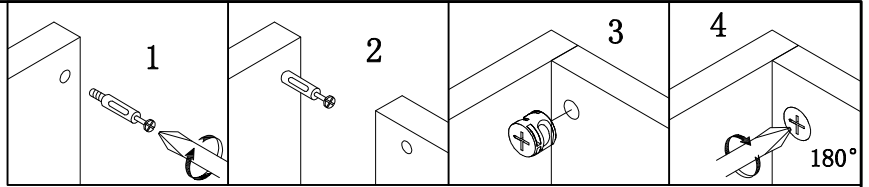
E		2pcs
C		1pc

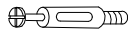



STEP 5.



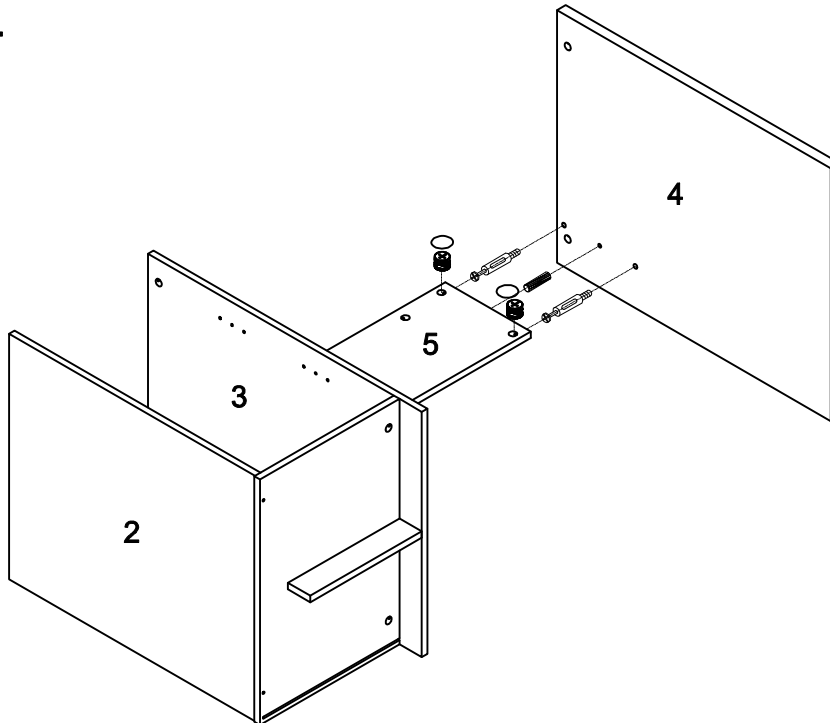
How to Assemble:

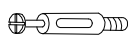



STEP 6.

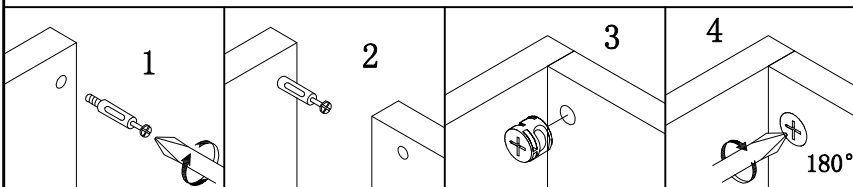


A		2pcs
B		2pcs
C		1pc
D		2pcs

STEP 7.

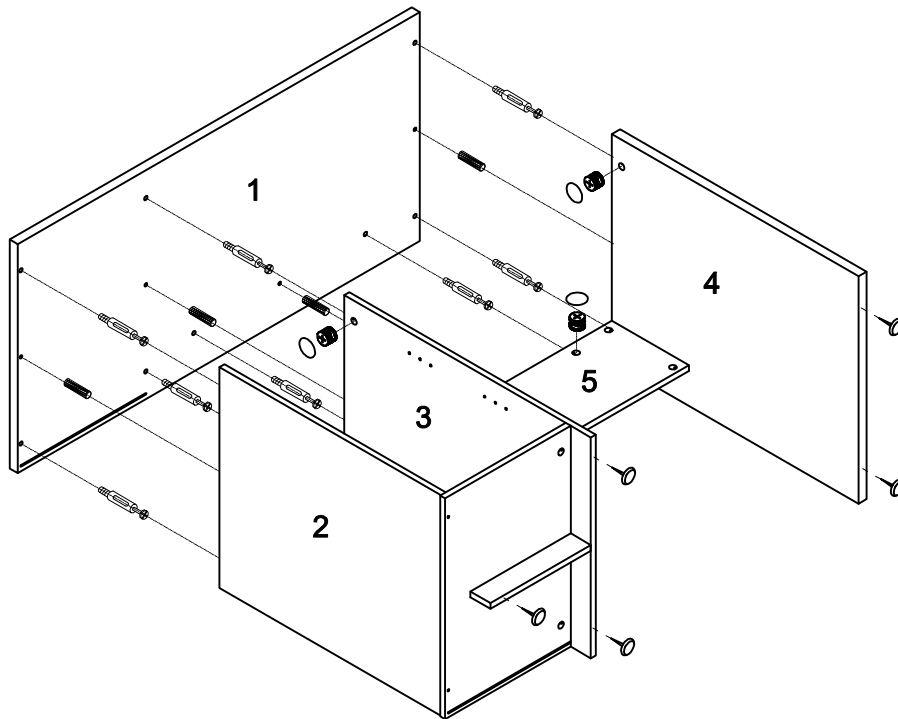
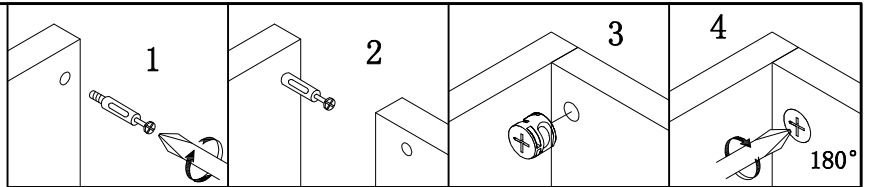


A		2pcs
B		2pcs
C		1pc
D		2pcs



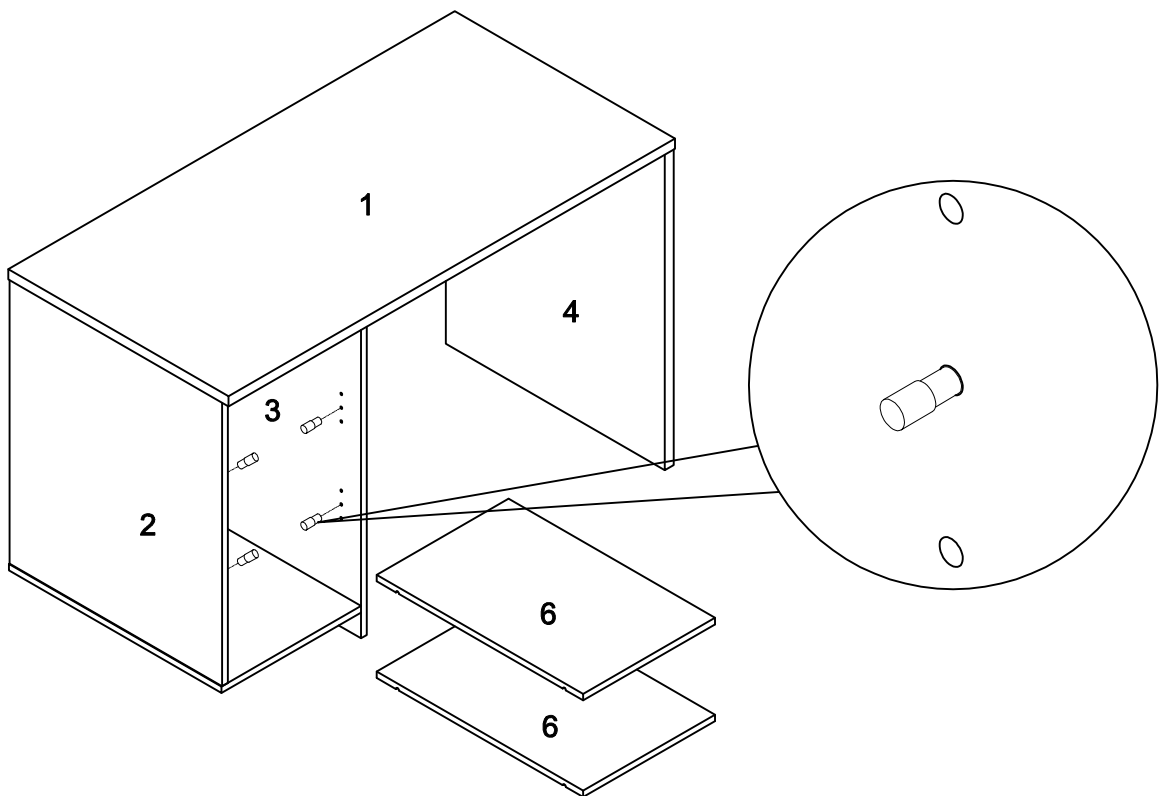
How to Assemble:

STEP 8.



A		8pcs
B		8pcs
C		4pcs
D		8pcs
I		5pcs

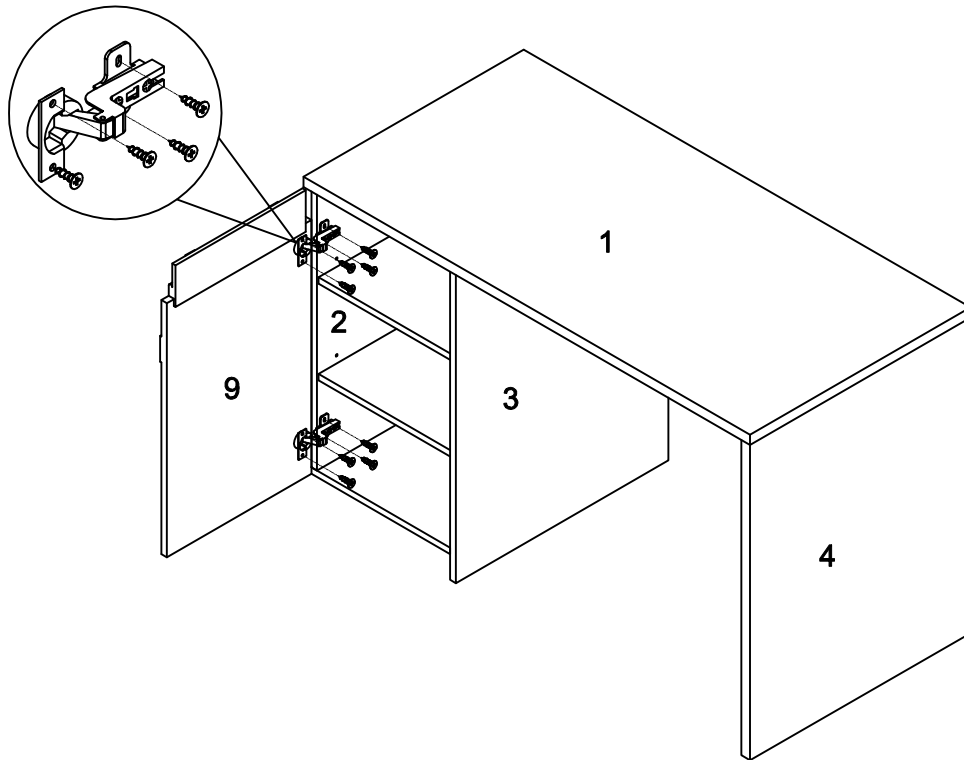
STEP 9.





H		8pcs
----------	--	------

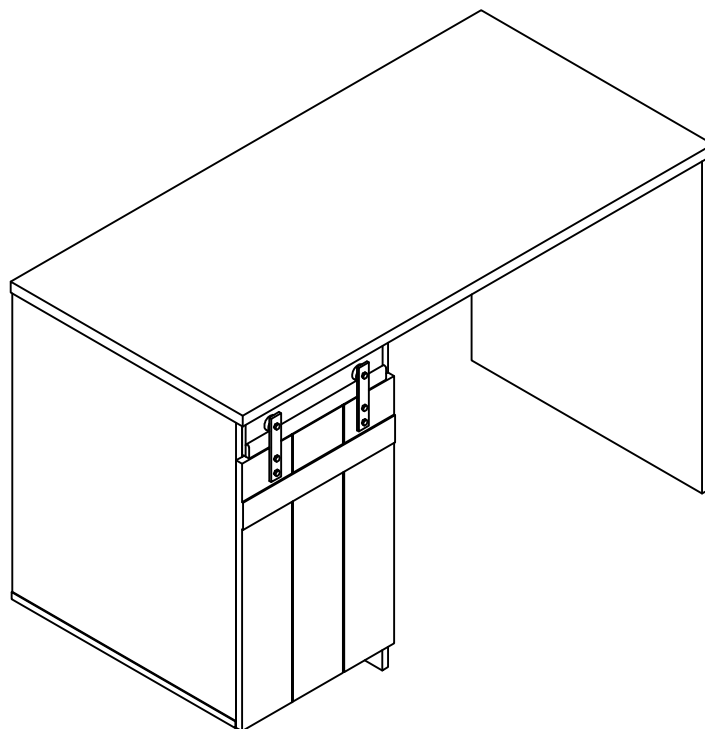
How to Assemble:

STEP 8.



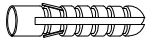
F		8pcs
G		2pcs

STEP 9.

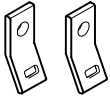


ANTI-TIPPING STRAP INSTRUCTION

HARDWARE (INCLUDED) :



DRYWALL ANCHOR $\phi 8 \times 40$ X 1PC



METAL BRACKETS $12 \times 12 \times 1$ X 2PCS



DRYWALL SCREW $\phi 5 \times 40$ X 1PC

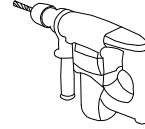


STRAP $197 \times 5 \times 1$ X 1PC



FLATHEAD SCREW $\phi 4 \times 25$ X 1PC

TOOLS NEEDED (NOT INCLUDED) :



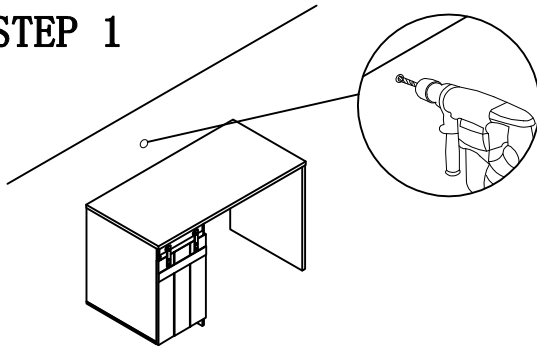
DRILL & DRILL BIT



LIGHT HAMMER

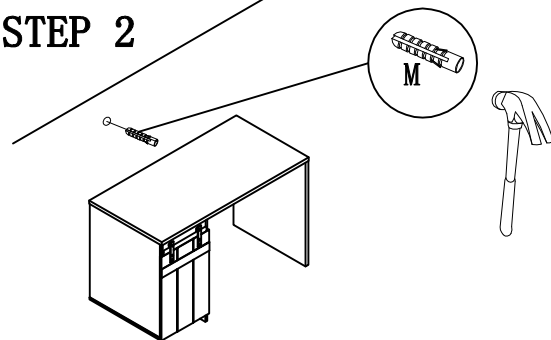
Note: Hardware included only compatible with standard drywalls.

STEP 1



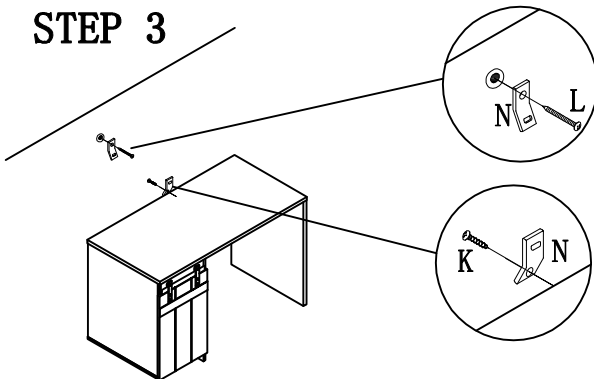
1. Find spot on wall 1" below top of item.
2. Using a drill bit slightly thinner than anchor, drill hole into drywall.

STEP 2



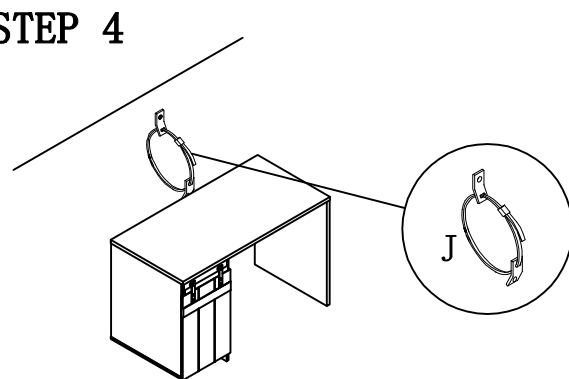
1. Use a light hammer to tap anchor into hole.
2. Anchor should fit snugly. If hole is too small, drill again to increase hole size. Do not force anchor into wall.

STEP 3



1. Insert drywall screw into metal bracket and into drywall anchor.
2. Insert flathead screw into second metal bracket and into back of item along top edge.

STEP 4



1. Insert strap thru bracket attached to wall, then thru bracket on item, and into head of strap.
 2. pull lightly til strap stops.
- Assembly is complete.