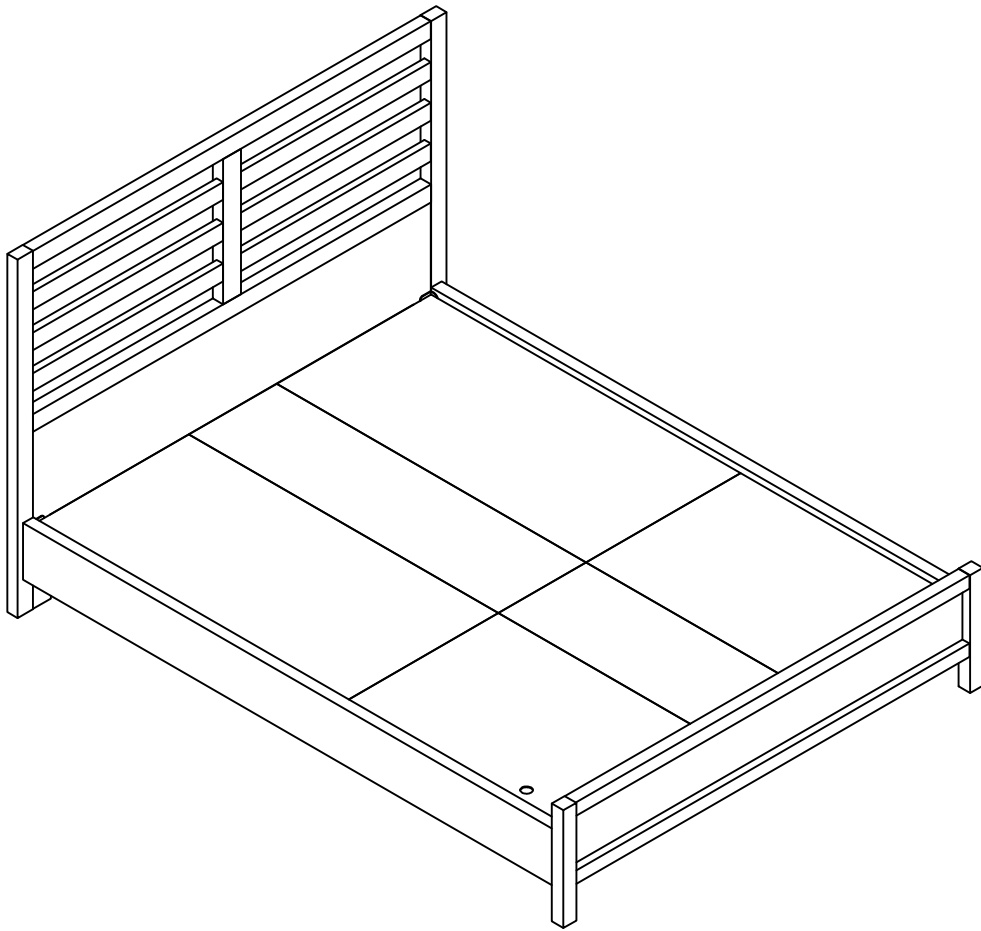


ASSEMBLY INSTRUCTION

ITEM#: B3701Q B3602Q B3802Q



ASSEMBLY INSTRUCTION

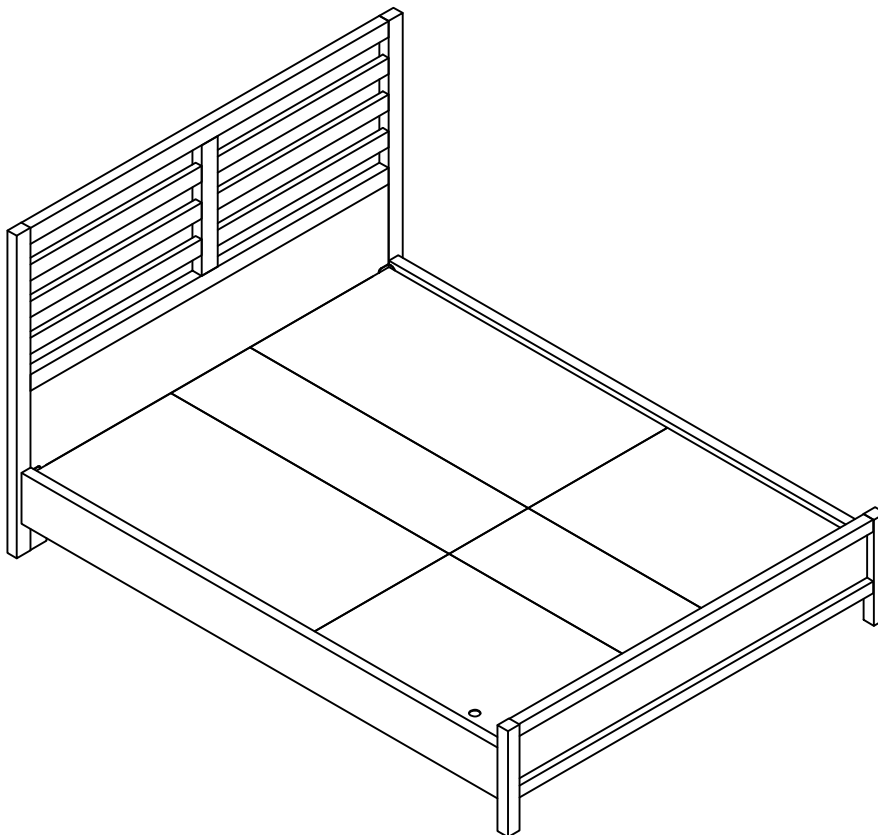
PLEASE READ BEFORE ASSEMBLING!

Tip #1: Make sure you've taken all the pieces and hardware out of its packaging before discarding the box. Assembly on top of flattened box/blanket is recommended.

Tip #2: Using page 2 and/or page 3 of instruction manual make sure all pieces and hardware are accounted for.

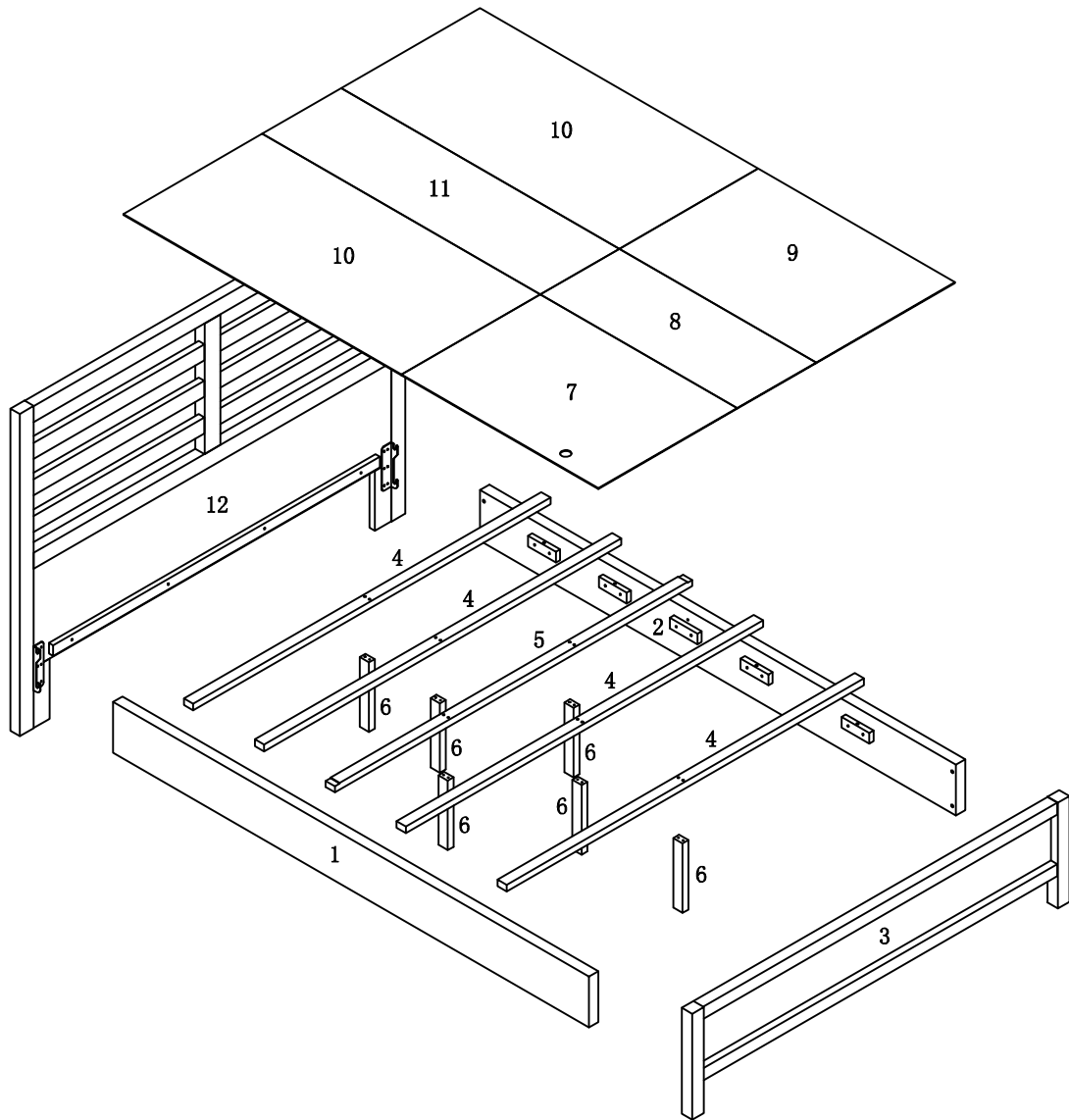
Tip #3: Note position of all holes on each panel during assembly.

ITEM#: B3701Q B3602Q B3802Q



PARTS IDENTIFICATION

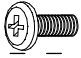


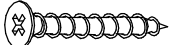

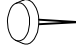

ITEM#: B3701Q B3602Q B3802Q



(1)	1pc	(7)	1pc
(2)	1pc	(8)	1pc
(3)	1pc	(9)	1pc
(4)	4pcs	(10)	2pcs
(5)	1pc	(11)	1pc
(6)	6pcs	(12)	1pc

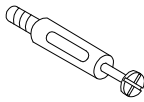

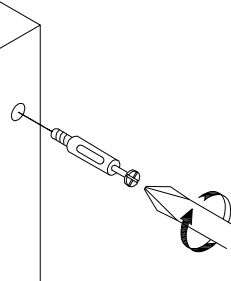
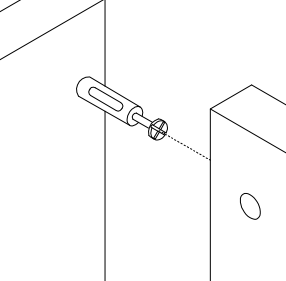
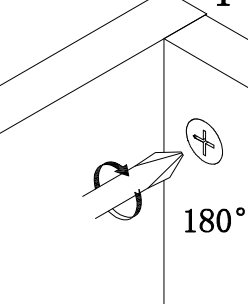
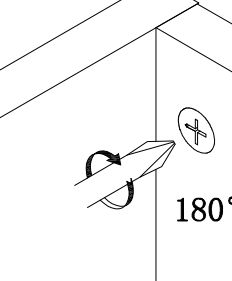
HARDWARE IDENTIFICATION

ITEM#: B3701Q B3602Q B3802Q

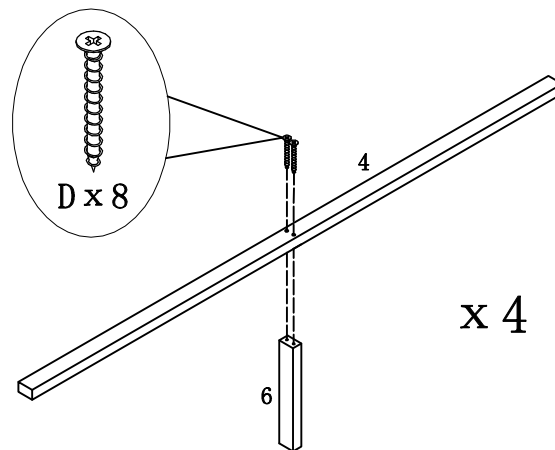
A		M6x15	8pcs
B		ø6x30	8pcs
C		ø4x16	2pcs
D		ø4x50	12pcs
E			2pcs
F		ø25	4pcs
G		Glue: For securing please apply to wood dowel first before inserting into panel	1pc

ASSEMBLY INSTRUCTION

ITEM#: B3701Q B3602Q B3802Q

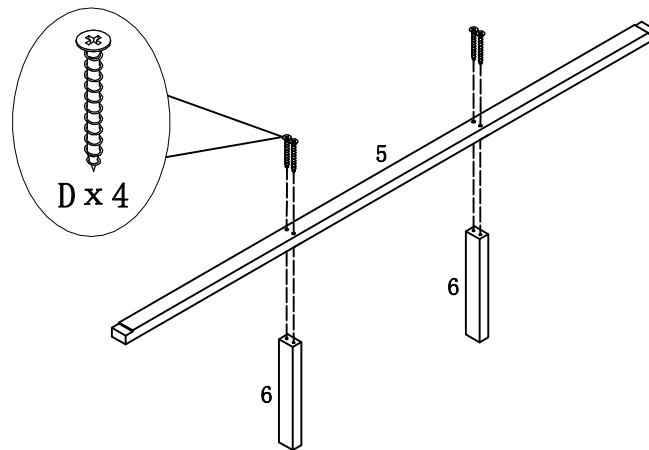
HOW TO	1	2	3	4
 Cam Bolt				
 Cam Lock	1. Screw Cam Bolt into panel.	2. Insert Cam Bolt into bolt hole of joining panel.	3. Insert Cam Lock. arrow facing bolt.	4. Gently turn Cam Lock clockwise to lock position.

STEP 1



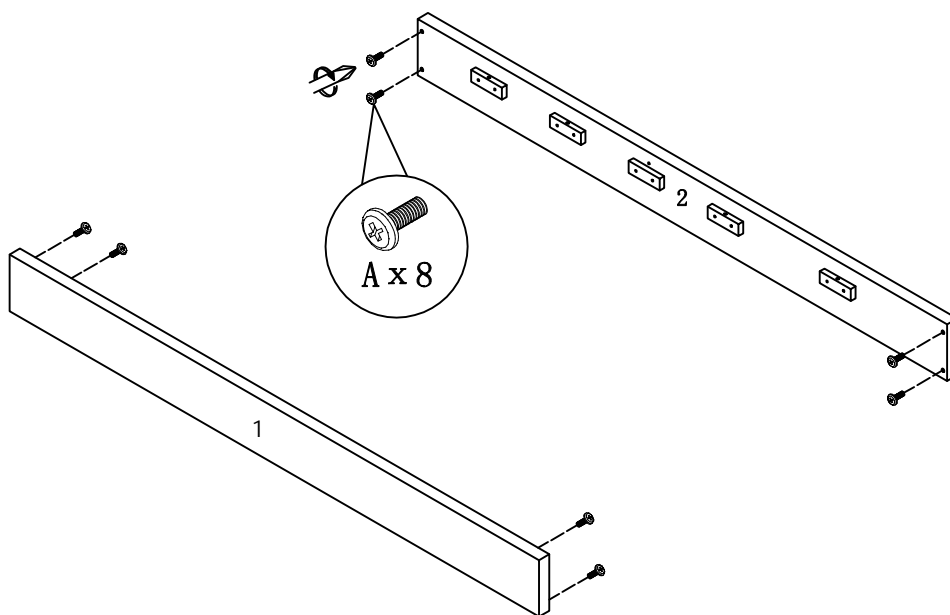
ASSEMBLY INSTRUCTION

ITEM#: B3701Q B3602Q B3802Q



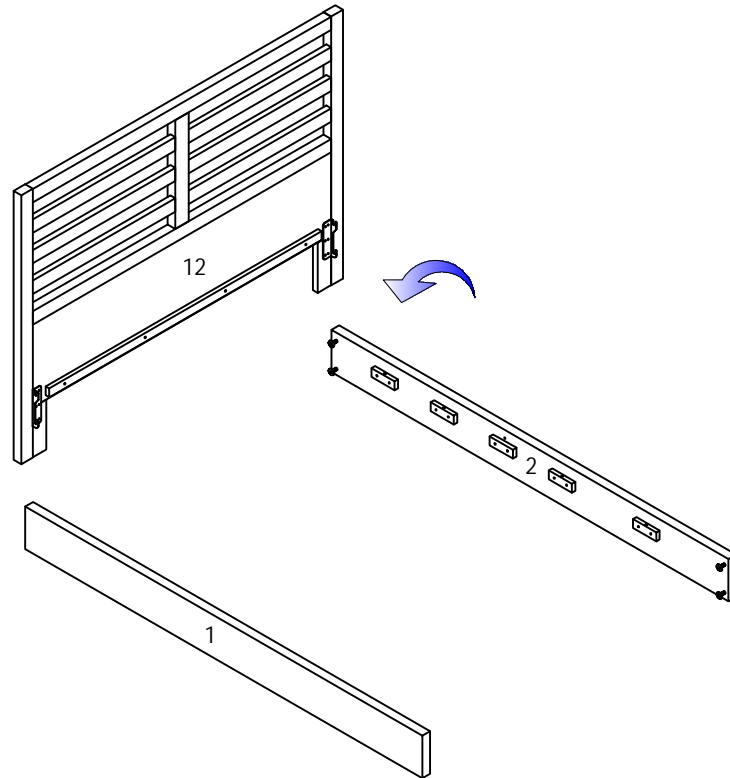
STEP2

STEP3



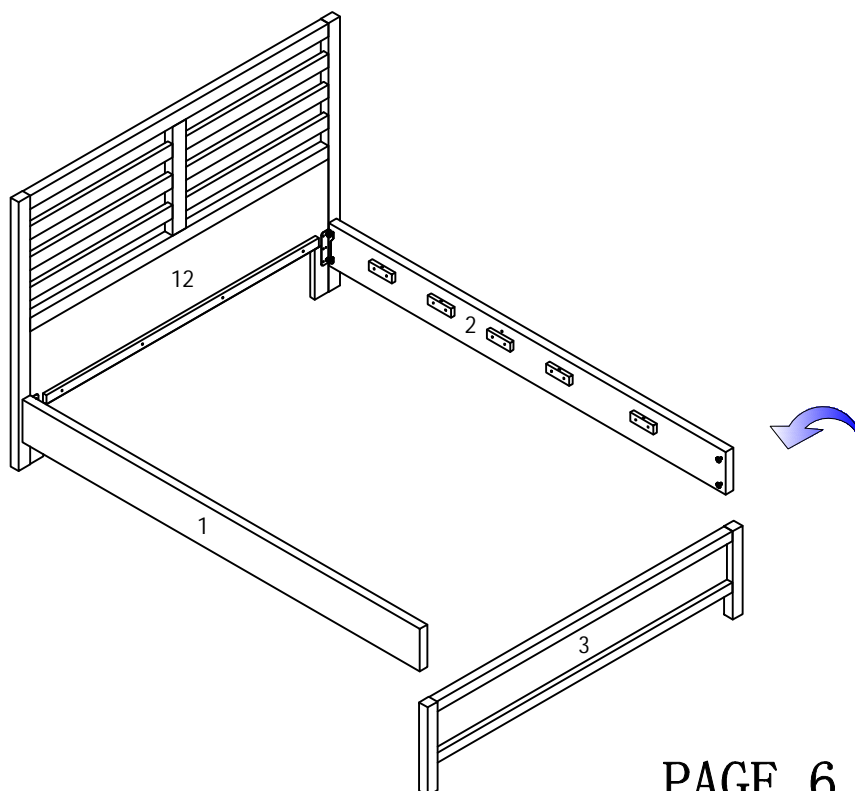
ASSEMBLY INSTRUCTION

ITEM#: B3701Q B3602Q B3802Q



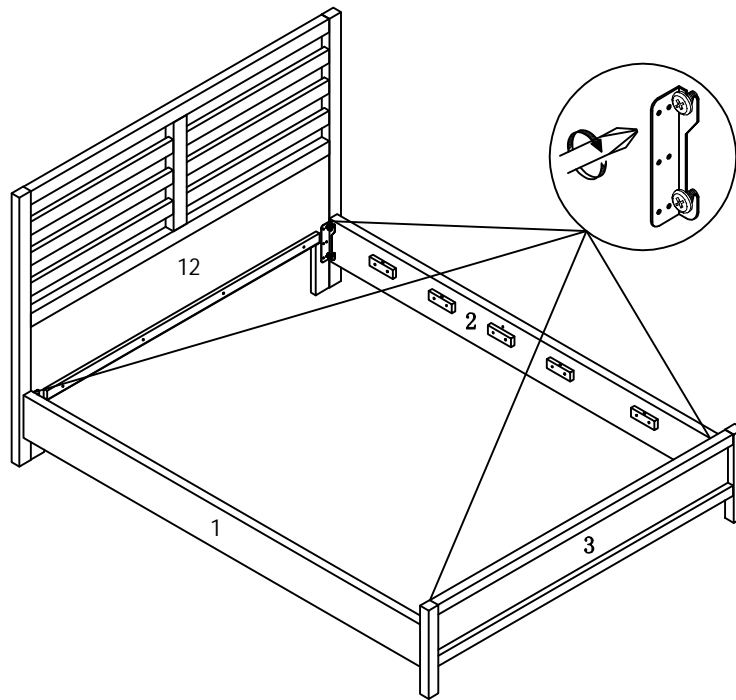
STEP 4

STEP 5



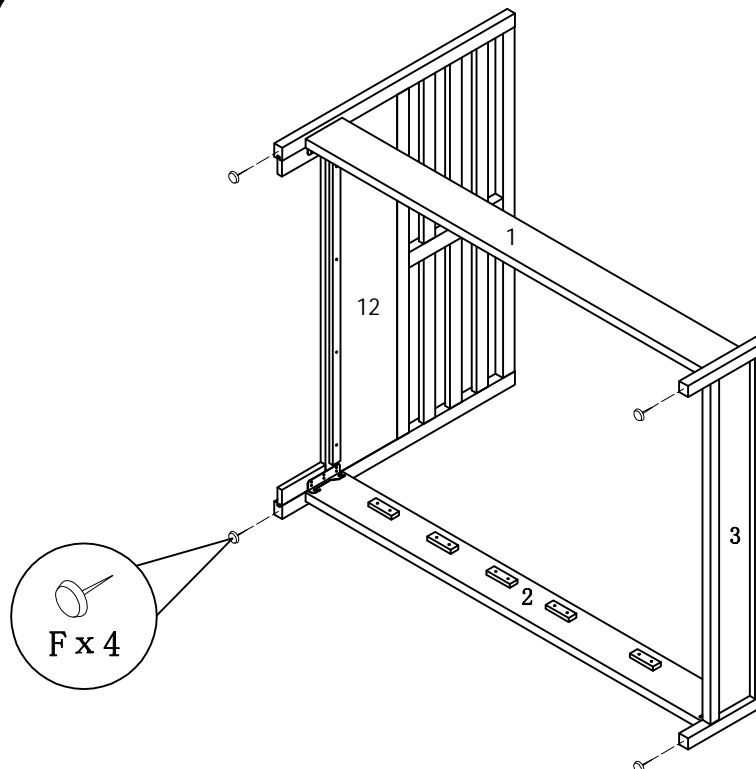
ASSEMBLY INSTRUCTION

ITEM#: B3701Q B3602Q B3802Q



STEP6

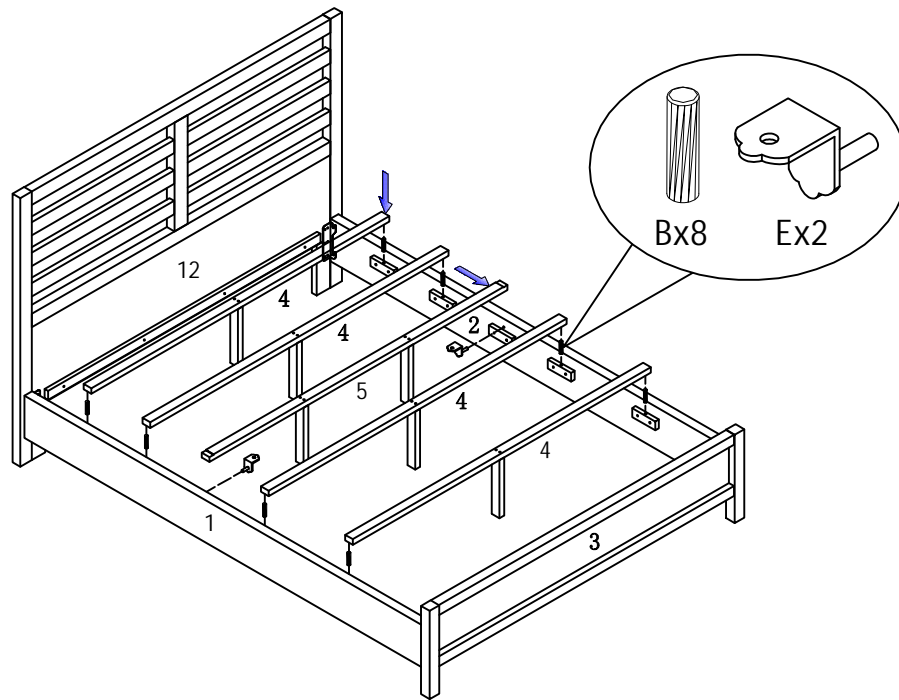
STEP7



PAGE 7 OF 9

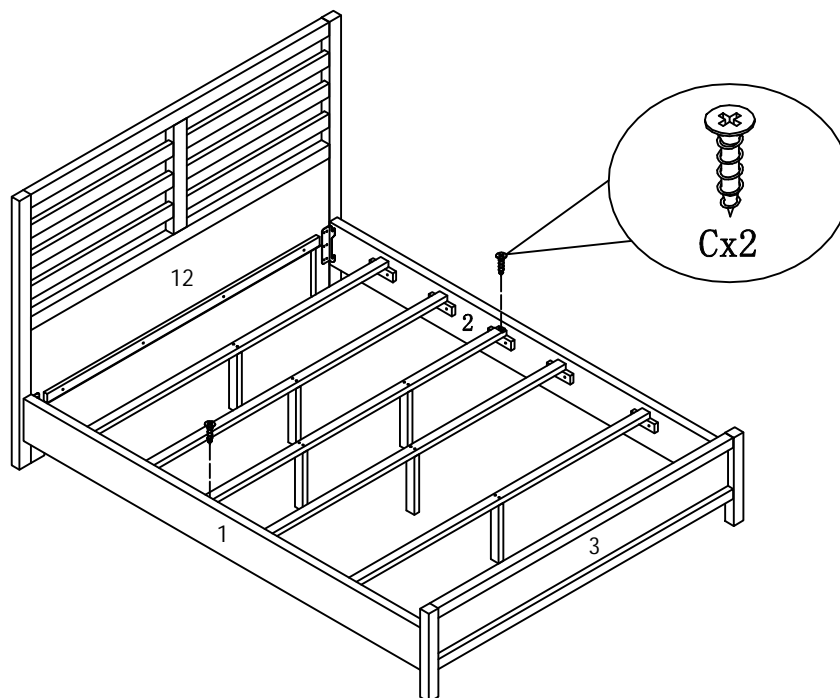
ASSEMBLY INSTRUCTION

ITEM#: B3701Q B3602Q B3802Q



STEP8

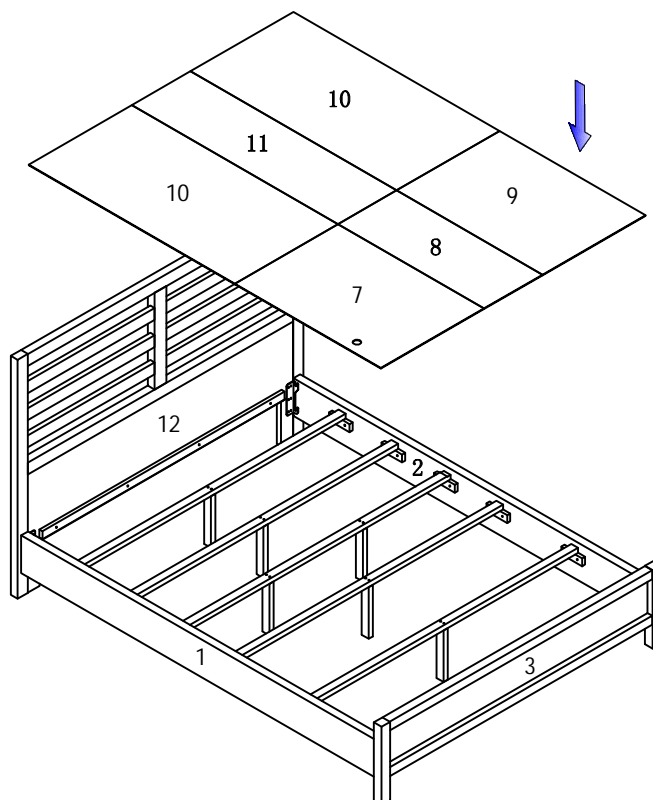
STEP9



PAGE 8 OF 9

ASSEMBLY INSTRUCTION

ITEM#: B3701Q B3602Q B3802Q



STEP 10

STEP 11

