

# ASSEMBLY INSTRUCTION

---

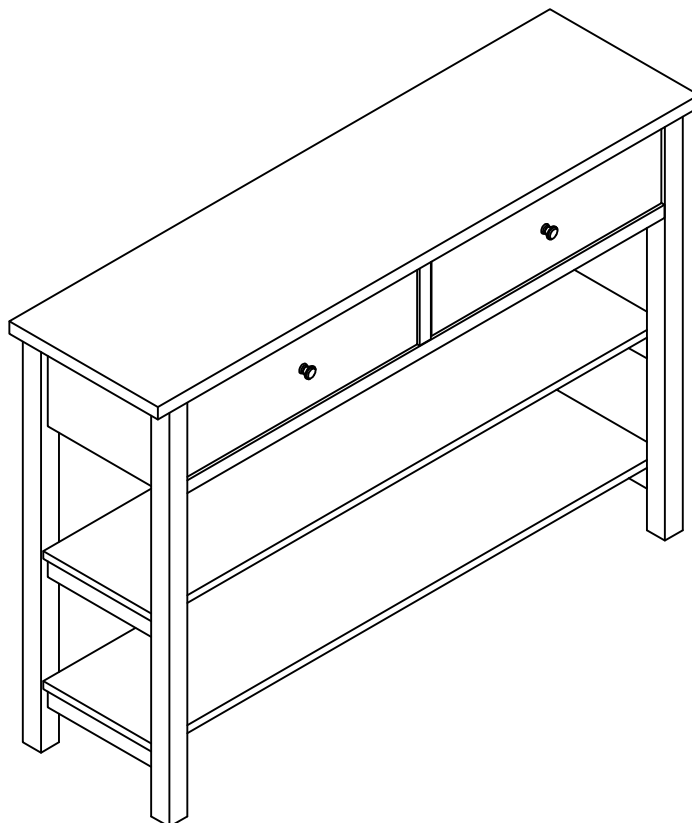
## PLEASE READ BEFORE ASSEMBLING!

Tip #1: Make sure you've taken all the pieces and hardware out of its packaging before discarding the box.

Tip #2: Using page 2 and/or page 3 of instruction manual make sure all pieces and hardware are accounted for.

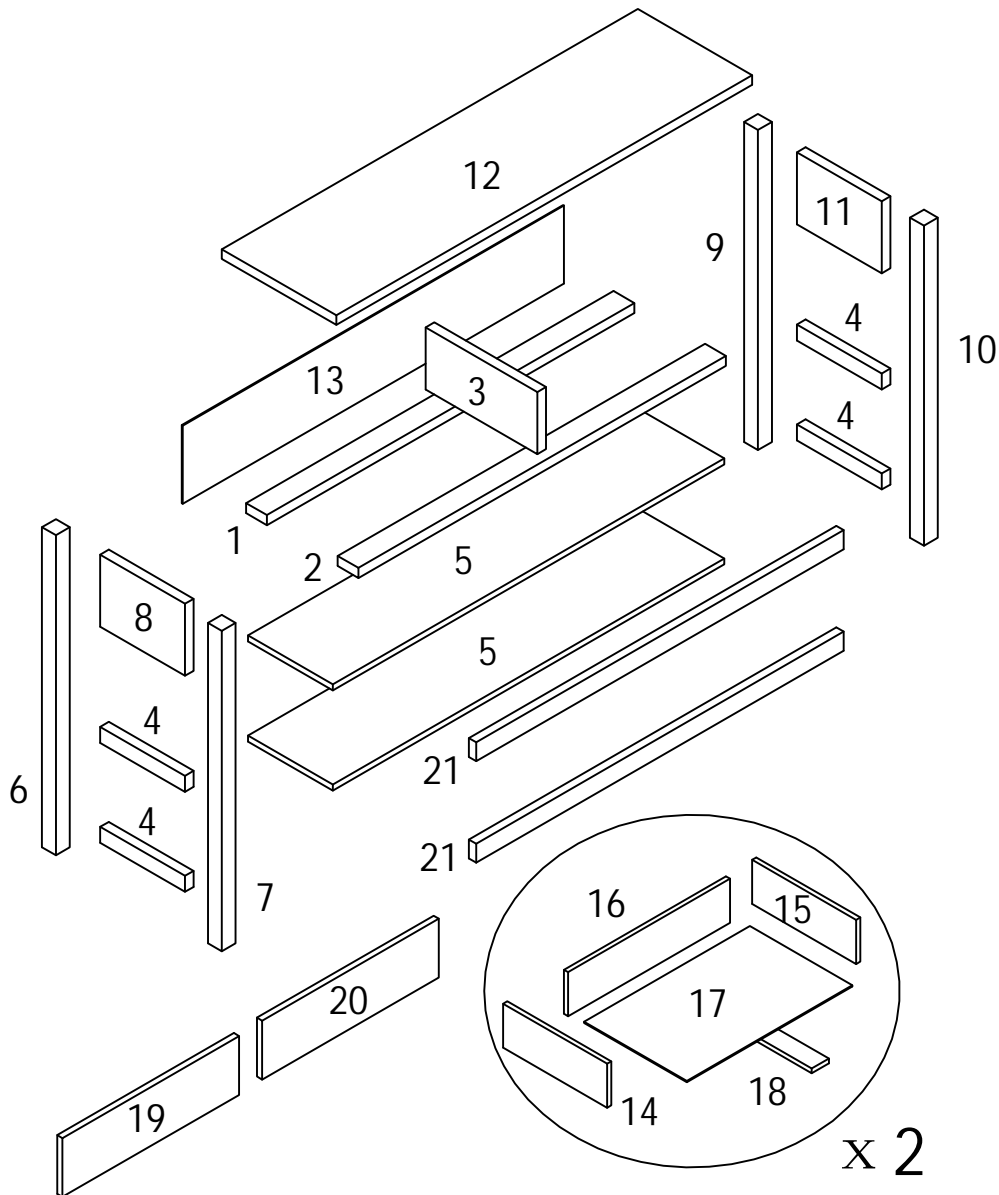
Tip #3: Read manual before assembling, it helps!

ITEM#: CB29287-RC



# PARTS IDENTIFICATION

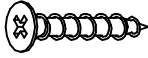
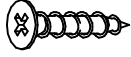
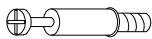




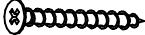


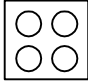




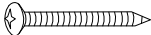
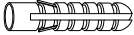
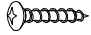


ITEM#: CB29287-RC



(1)	1pc	(8)	1pc	(15)	2pcs
(2)	1pc	(9)	1pc	(16)	2pcs
(3)	1pc	(10)	1pc	(17)	2pcs
(4)	4pcs	(11)	1pc	(18)	2pcs
(5)	2pcs	(12)	1pc	(19)	1pc
(6)	1pc	(13)	1pc	(20)	1pc
(7)	1pc	(14)	2pcs	(21)	2pcs

# HARDWARE IDENTIFICATION

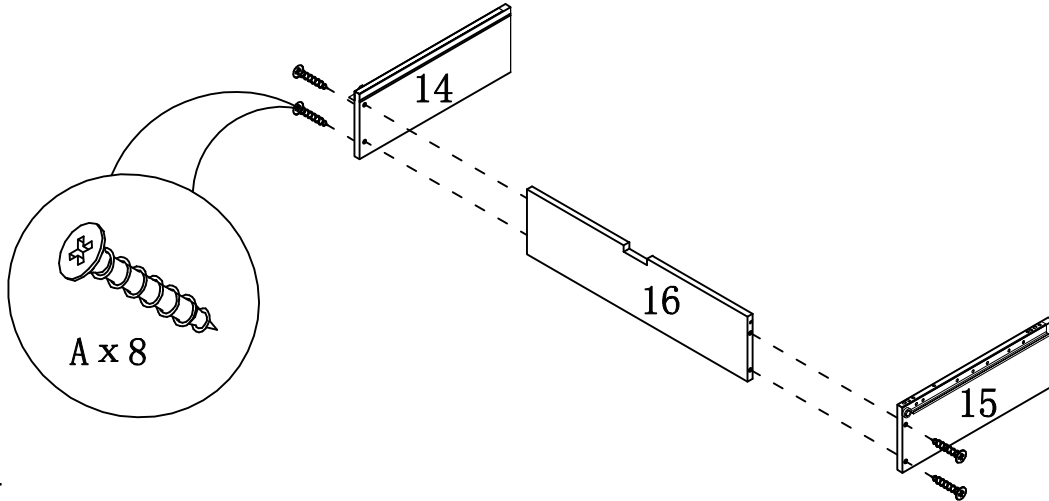
ITEM#: CB29287-RC

A		ø4 × 30	8pcs
B		ø4 × 25	4pcs
C		L20	8pcs
D		ø12	8pcs
E			2pcs
F		ø4 × 22	2pcs
G		ø8 × 25	13pcs
H		ø4 × 45	16pcs
I		L29	26pcs
J		ø15	26pcs
K		ø18	4pcs
L		Z1016	30pcs
M		ø6 × 30	4pcs
N		ø16	4pcs
O			1pc
P		ø5 × 40	1pc
Q		ø8 × 40	1pc
R		ø4 × 25	1pc
S		12 × 12 × 1	2pcs
T			1pc

Glue: For securing please apply to wood dowel first before inserting into panel

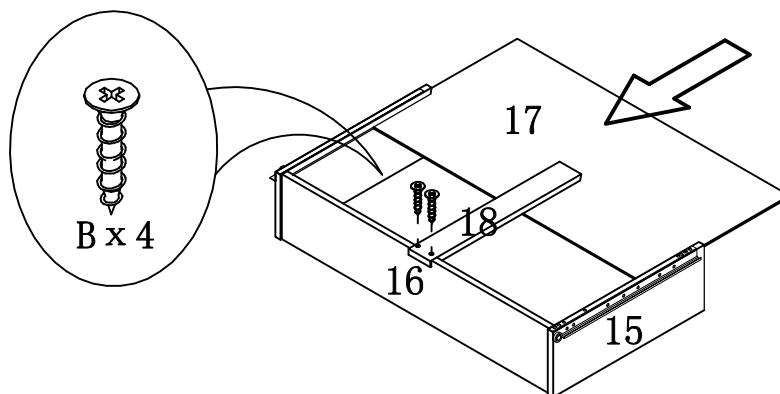
# ASSEMBLY INSTRUCTION

ITEM#: CB29287-RC

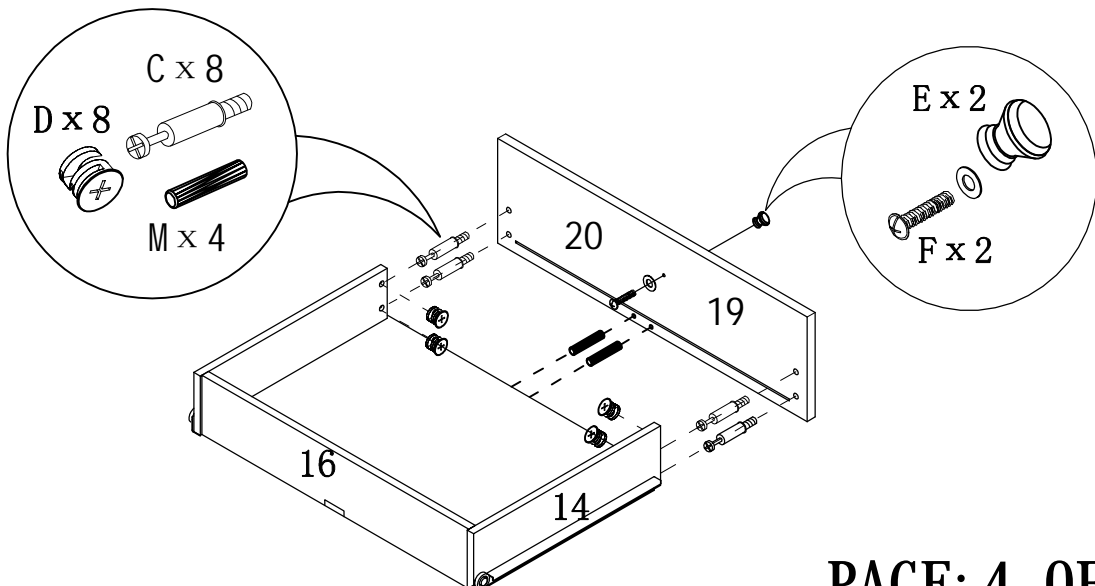


STEP 1

STEP 2

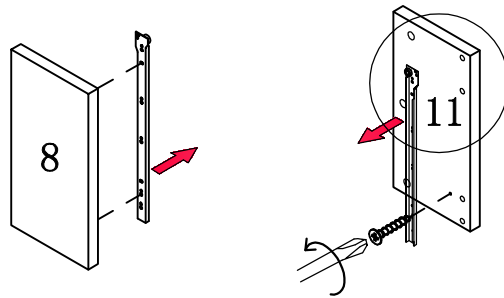


STEP 3



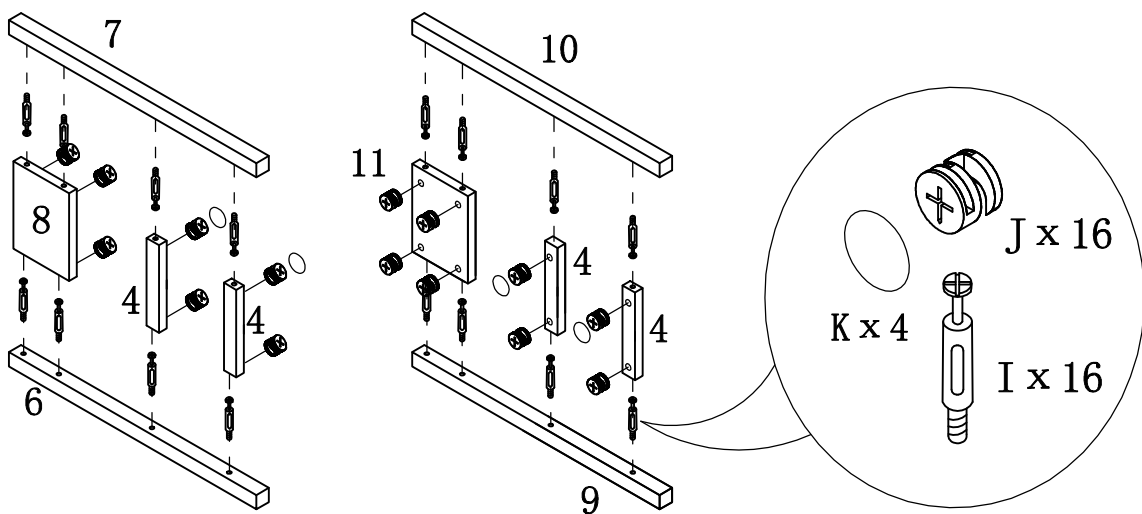
# ASSEMBLY INSTRUCTION

ITEM#: CB29287-RC



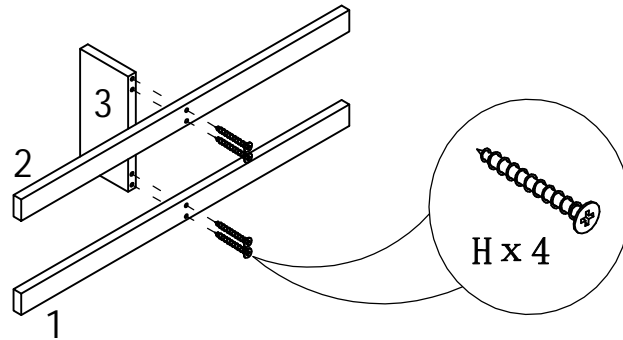
STEP4

STEP5



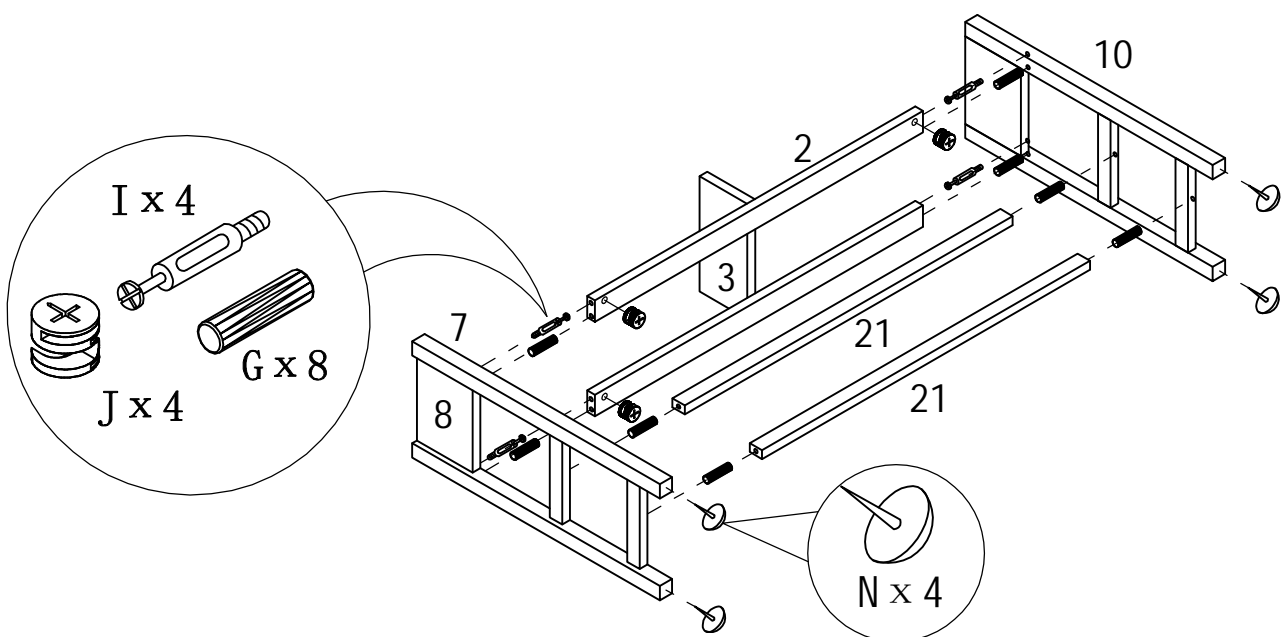
# ASSEMBLY INSTRUCTION

ITEM#: CB29287-RC



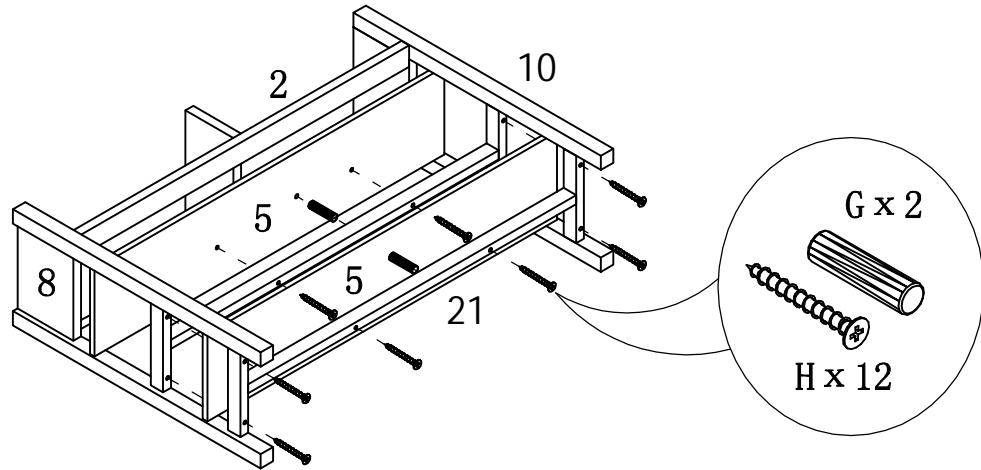
STEP6

STEP7



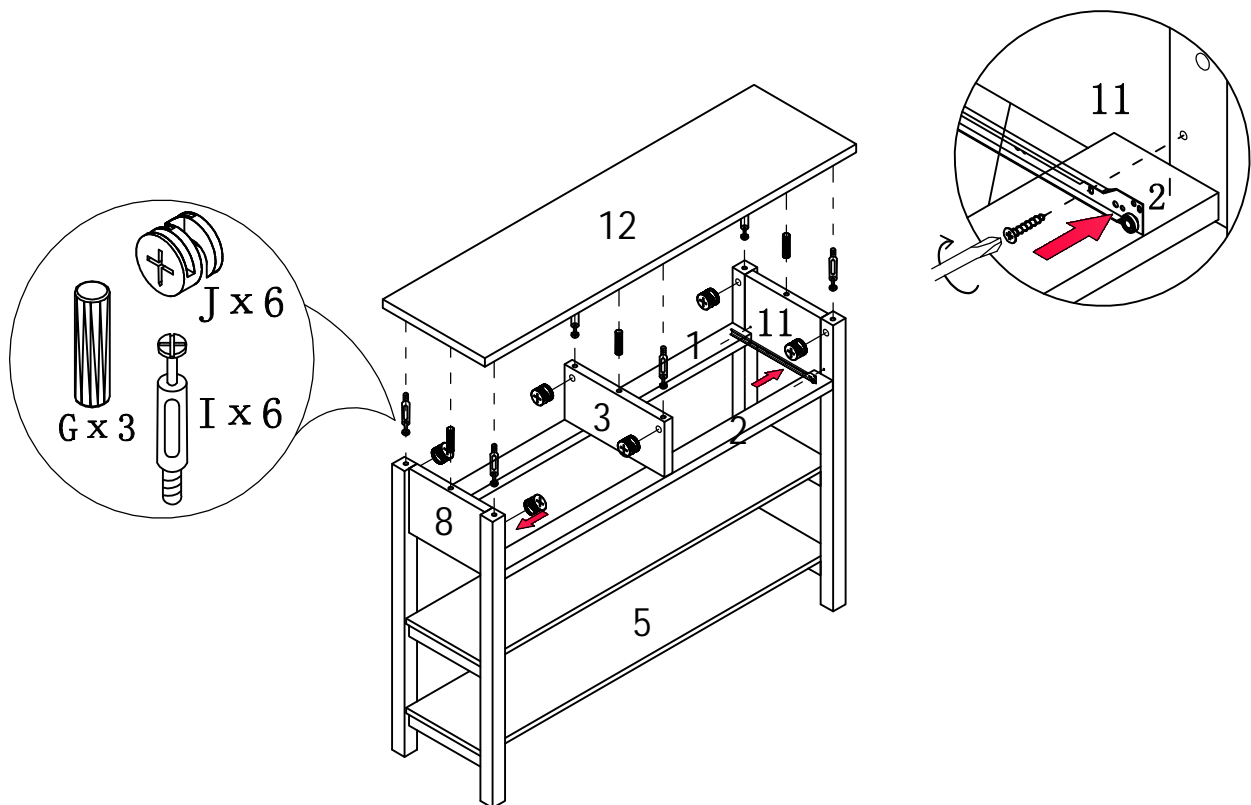
# ASSEMBLY INSTRUCTION

ITEM#: CB29287-RC



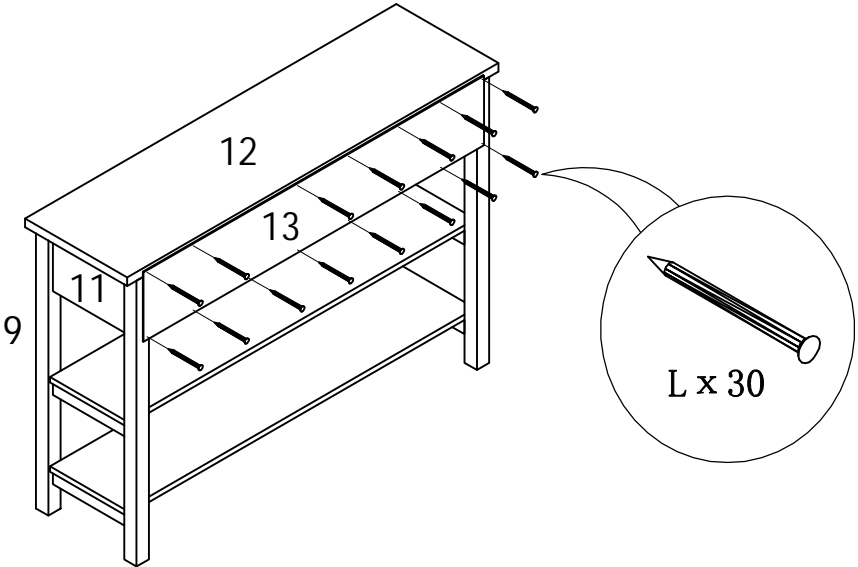
STEP8

STEP9



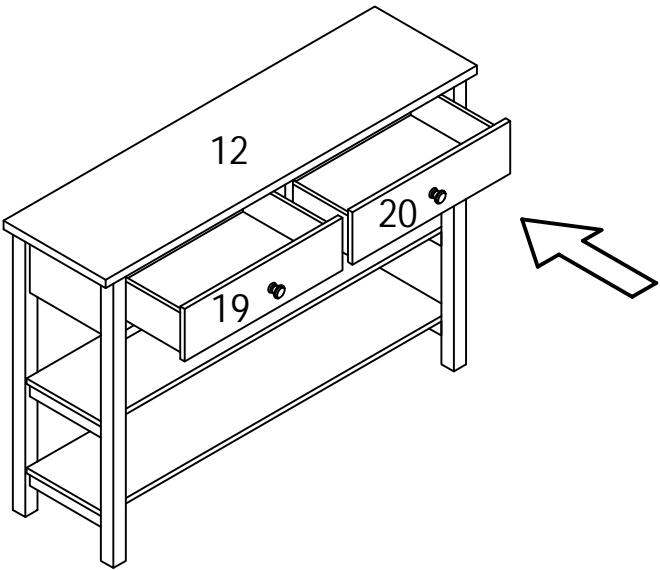
# ASSEMBLY INSTRUCTION

ITEM#: CB29287-RC



STEP10

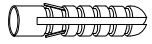
STEP11



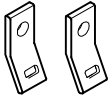


# ANTI-TIPPING STRAP INSTRUCTION

## HARDWARE (INCLUDED) :



DRYWALL ANCHOR  $\phi 8 \times 40$  X 1PC



METAL BRACKETS  $12 \times 12 \times 1$  X 2PCS



DRYWALL SCREW  $\phi 5 \times 40$  X 1PC

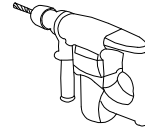


STRAP  $197 \times 5 \times 1$  X 1PC



FLATHEAD SCREW  $\phi 4 \times 25$  X 1PC

## TOOLS NEEDED ( NOT INCLUDED) :



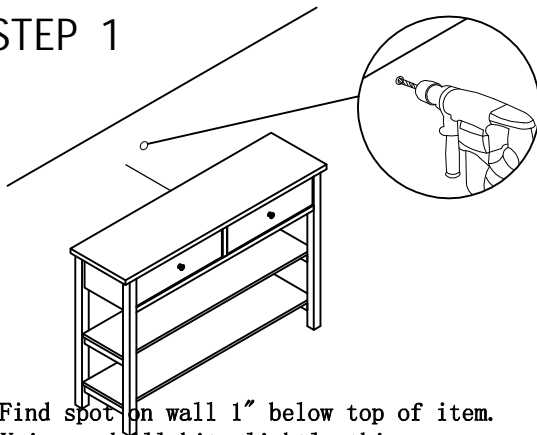
DRILL & DRILL BIT



LIGHT HAMMER

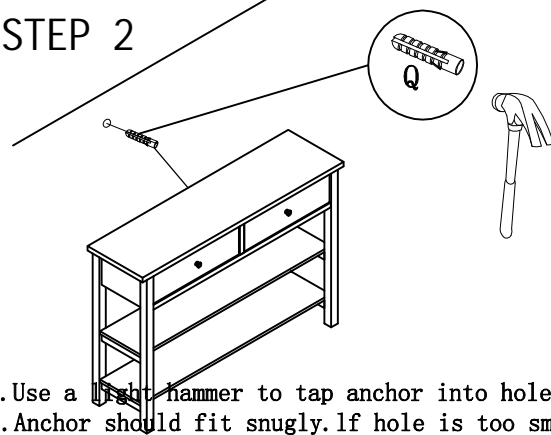
Note: Hardware included only compatible with standard drywalls.

### STEP 1



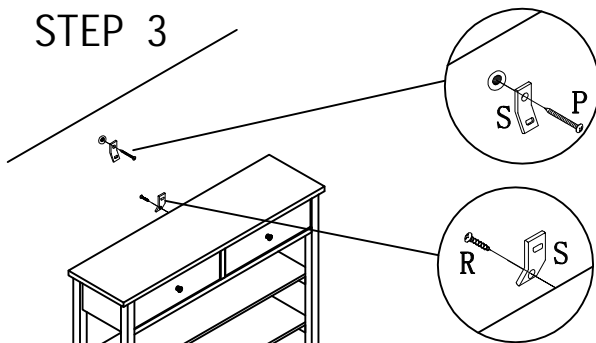
1. Find spot on wall 1" below top of item.
2. Using a drill bit slightly thinner than anchor, drill hole into drywall.

### STEP 2



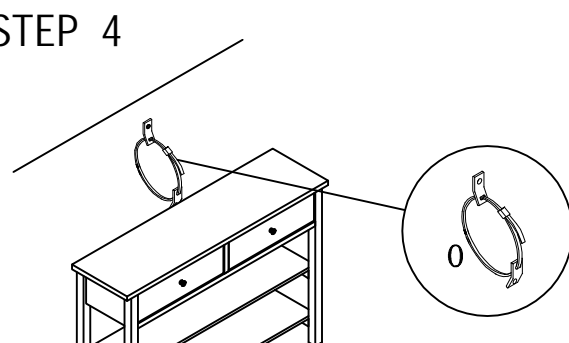
1. Use a light hammer to tap anchor into hole.
2. Anchor should fit snugly. If hole is too small, drill again to increase hole size. Do not force anchor into wall.

### STEP 3



1. Insert drywall screw into metal bracket and into drywall anchor.
2. Insert flathead screw into second metal bracket and into back of item along top edge.

### STEP 4



1. Insert strap thru bracket attached to wall, then thru bracket on item, and into head of strap.
  2. pull lightly til strap stops.
- Assembly is complete.