

ASSEMBLY INSTRUCTION

PLEASE READ BEFORE ASSEMBLING!

Tip #1: Make sure you've taken all the pieces and hardware out of its packaging before discarding the box.

Tip #2: Using page 2 and/or page 3 of instruction manual make sure all pieces and hardware are accounted for.

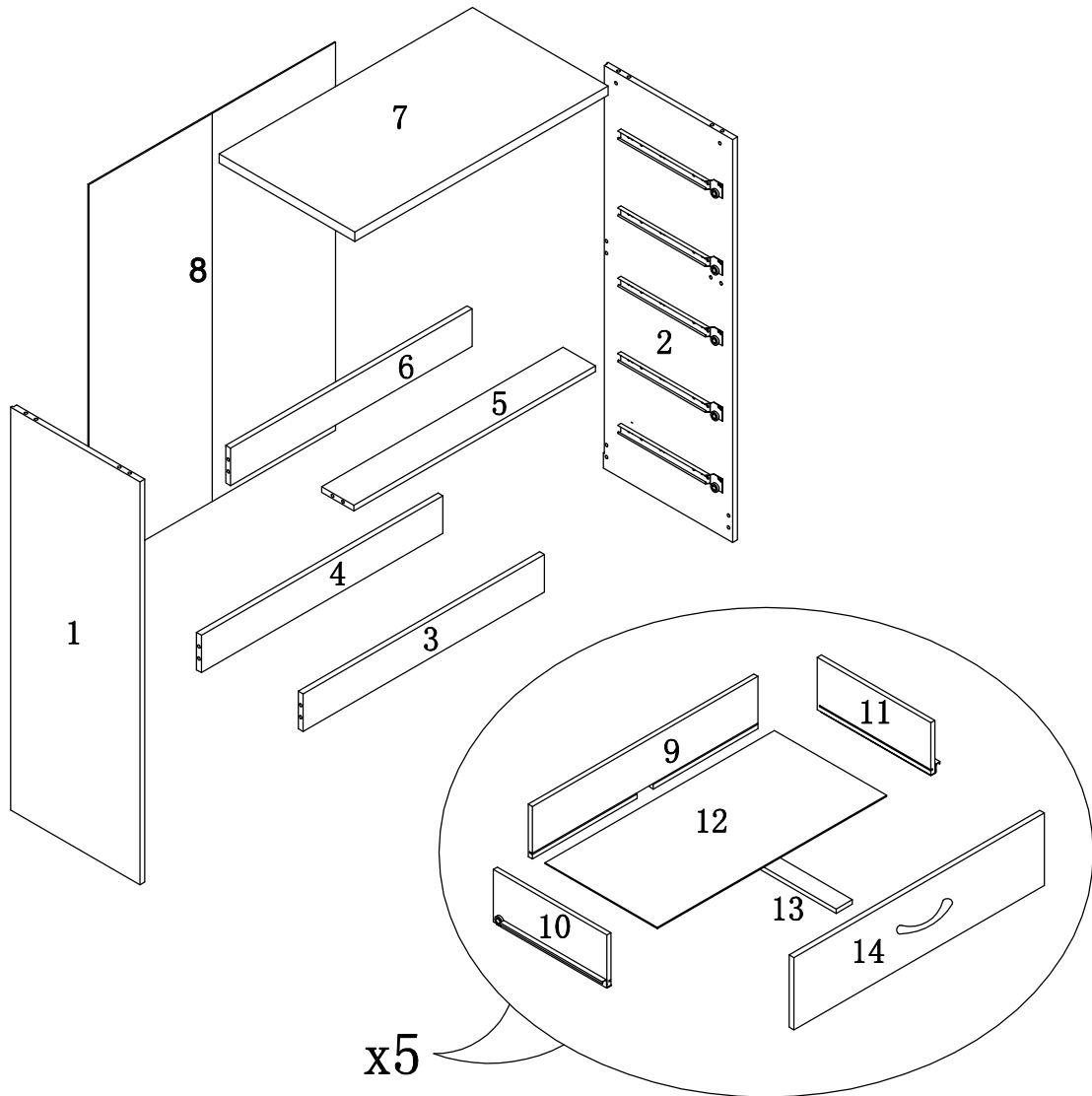
Tip #3: Read manual before assembling, it helps!

ITEM#: CS116BE3、CS116BLK3、
CS116CB3、CS116LCH3、CS116MHG3、
CS116RC、CS116WHT3



PARTS IDENTIFICATION





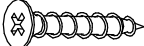
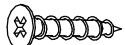
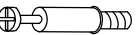



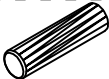


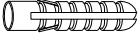
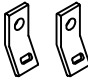
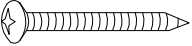
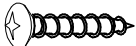

ITEM#: CS116BE3、CS116BLK3、
CS116CB3、CS116LCH3、CS116MHG3、
CS116RC、CS116WHT3



(1)	1pc	(6)	1pc	(11)	5pcs
(2)	1pc	(7)	1pc	(12)	5pcs
(3)	1pc	(8)	1pc	(13)	5pcs
(4)	1pc	(9)	5pcs	(14)	5pcs
(5)	1pc	(10)	5pcs		

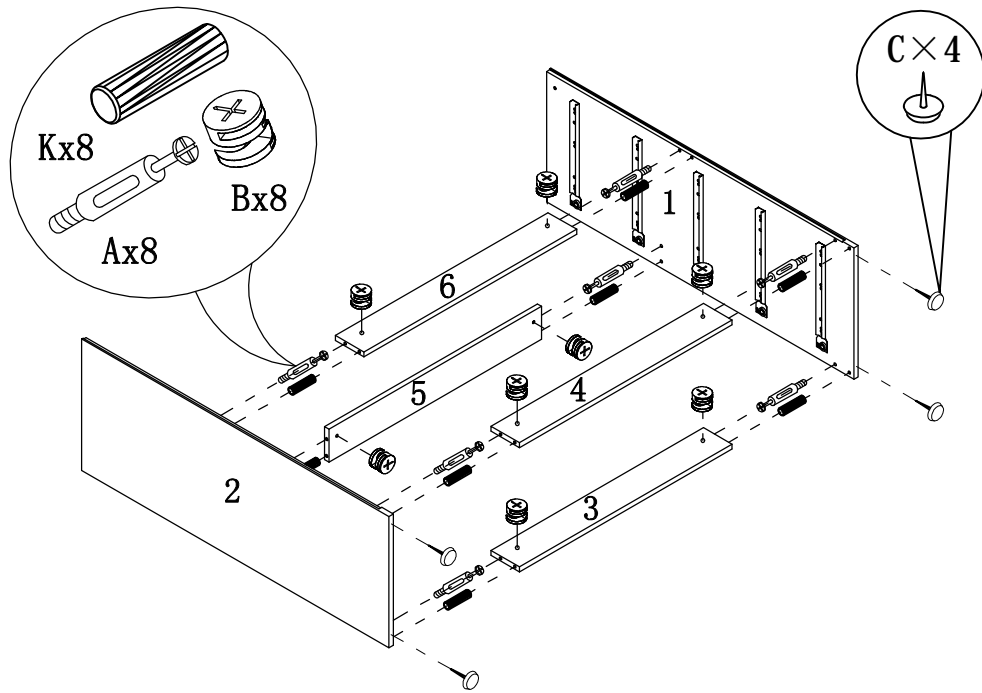
HARDWARE IDENTIFICATION

ITEM#: CS116BE3、CS116BLK3、CS116CB3、
CS116LCH3、CS116MHG3、CS116RC、CS116WHT3

A		L29	12pcs
B		ϕ 15	12pcs
C		ϕ 16	4pcs
D			36pcs
E		ϕ 4×30	20pcs
F		ϕ 4×25	10pcs
G		L20	20pcs
H		ϕ 12	20pcs
I		96MM	5pcs
J		ϕ 4×20	10pcs
K		ϕ 8×25	12pcs
L		ϕ 6×30	10pcs
M		197x5x1	1pc
N		ϕ 8x40	1pc
O		12x12x1	2pcs
P		ϕ 5x40	1pc
Q		ϕ 4x25	1pc
R		Glue: For securing please apply to wood dowel first before inserting into panel	1pc

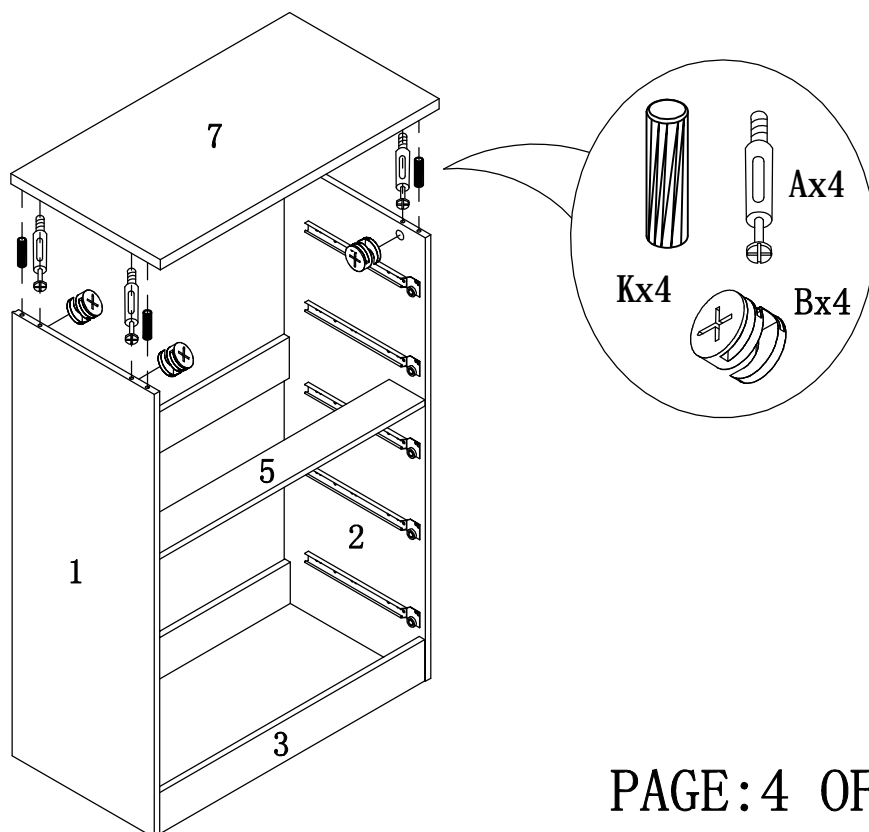
ASSEMBLY INSTRUCTION

ITEM#: CS116BE3、CS116BLK3、
CS116CB3、CS116LCH3、CS116MHG3、
CS116RC、CS116WHT3



STEP 1

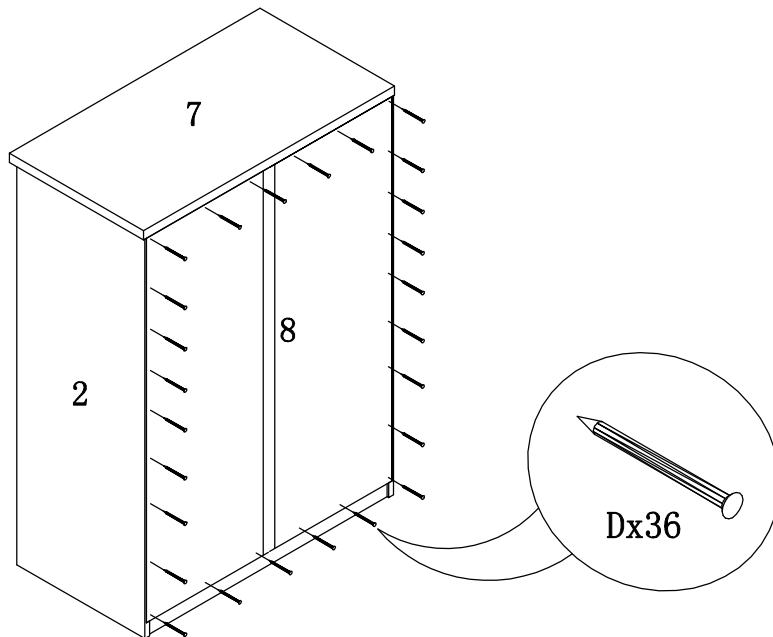
STEP 2



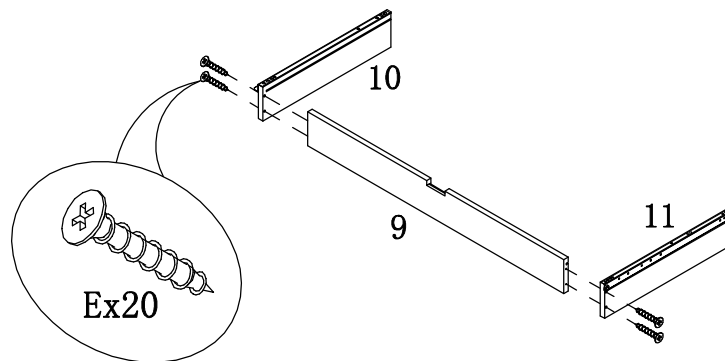
ASSEMBLY INSTRUCTION

ITEM#: CS116BE3、CS116BLK3、
CS116CB3、CS116LCH3、CS116MHG3、
CS116RC、CS116WHT3

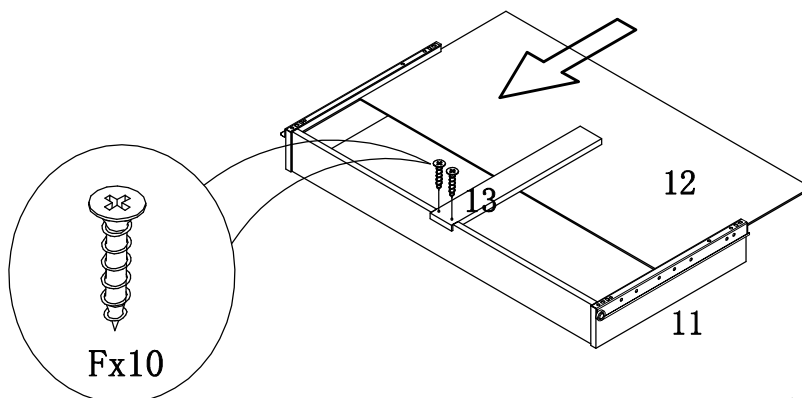
STEP3



STEP4

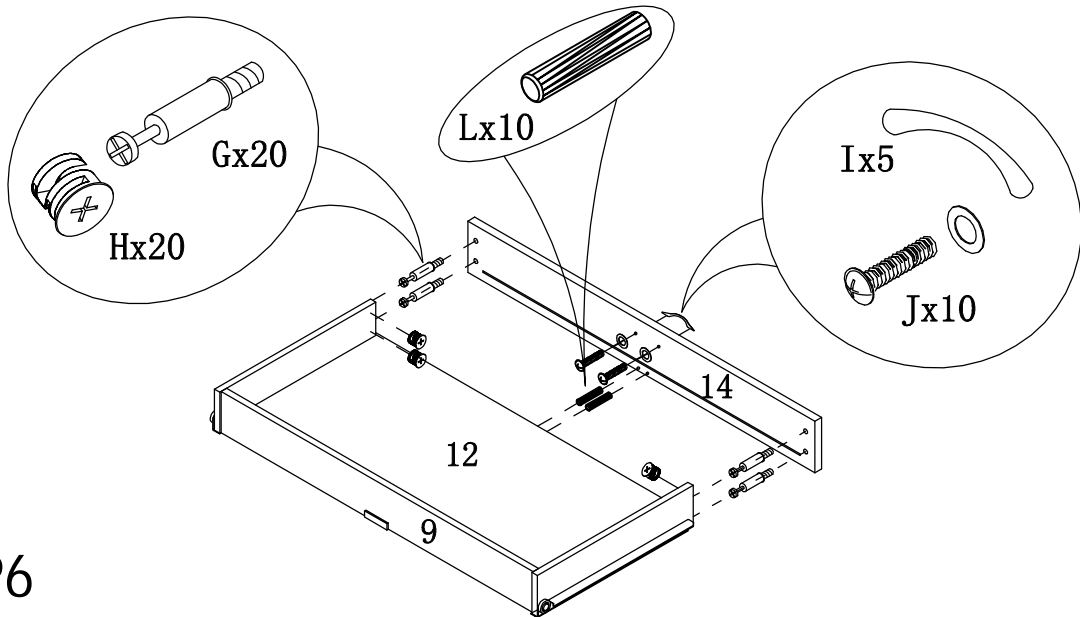


STEP5



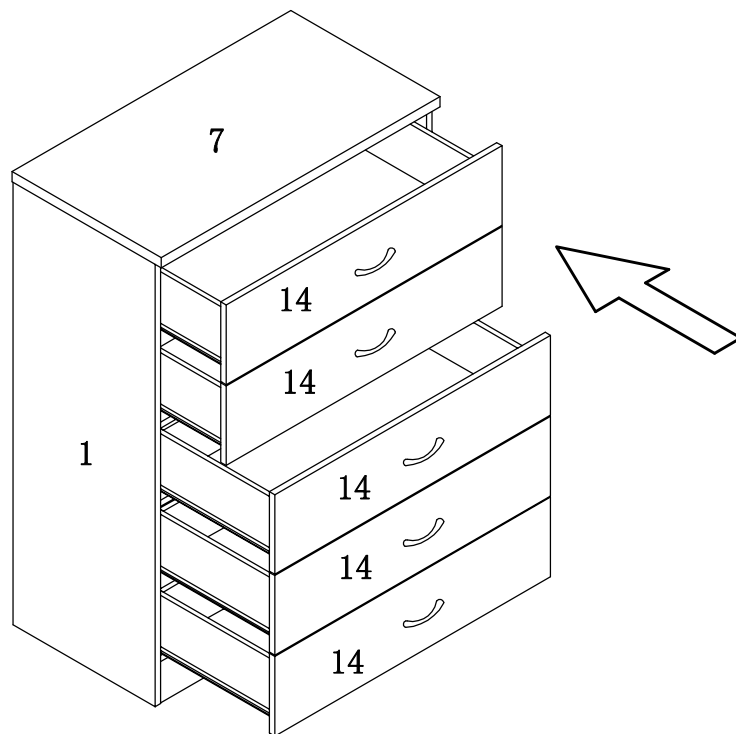
ASSEMBLY INSTRUCTION

ITEM#: CS116BE3、CS116BLK3、
CS116CB3、CS116LCH3、CS116MHG3、
CS116RC、CS116WHT3



STEP6

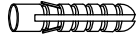
STEP7



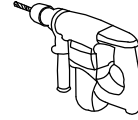
ANTI-TIPPING STRAP INSTRUCTION

HARDWARE (INCLUDED) :

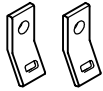
TOOLS NEEDED (NOT INCLUDED) :



DRYWALL ANCHOR $\phi 8 \times 40$ X 1PC



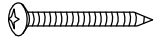
DRILL & DRILL BIT



METAL BRACKETS $12 \times 12 \times 1$ X 2PCS



LIGHT HAMMER



DRYWALL SCREW $\phi 5 \times 40$ X 1PC



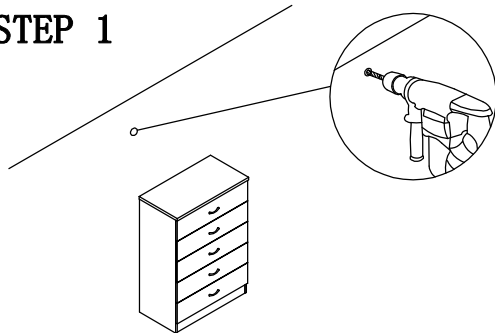
STRAP $197 \times 5 \times 1$ X 1PC



FLATHEAD SCREW $\phi 4 \times 25$ X 1PC

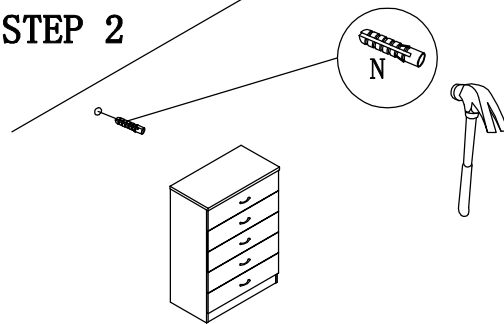
Note: Hardware included only compatible with standard drywalls.

STEP 1



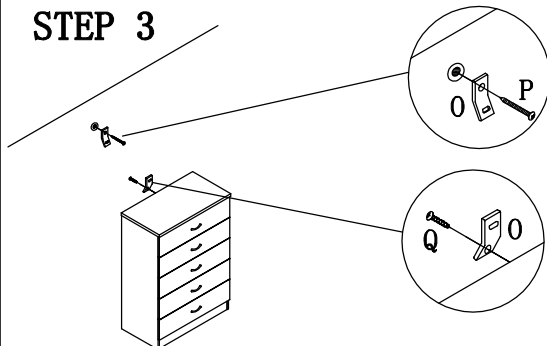
1. Find spot on wall 1" below top of item.
2. Using a drill bit slightly thinner than anchor, drill hole into drywall.

STEP 2



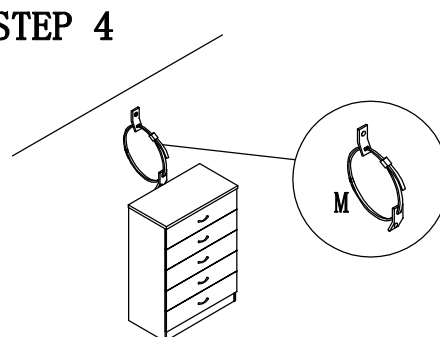
1. Use a light hammer to tap anchor into hole.
2. Anchor should fit snugly. If hole is too small, drill again to increase hole size. Do not force anchor into wall.

STEP 3



1. Insert drywall screw into metal bracket and into drywall anchor.
2. Insert flathead screw into second metal bracket and into back of item, along top edge.

STEP 4



1. Insert strap thru bracket attached to wall, then thru bracket on item, and into head of strap.
 2. pull lightly til strap stops.
- Assembly is complete.