

# ASSEMBLY INSTRUCTION

---

## **PLEASE READ BEFORE ASSEMBLING!**

Tip #1: Make sure you've taken all the pieces and hardware out of its packaging before discarding the box.

Tip #2: Using page 2 and/or page 3 of instruction manual make sure all pieces and hardware are accounted for.

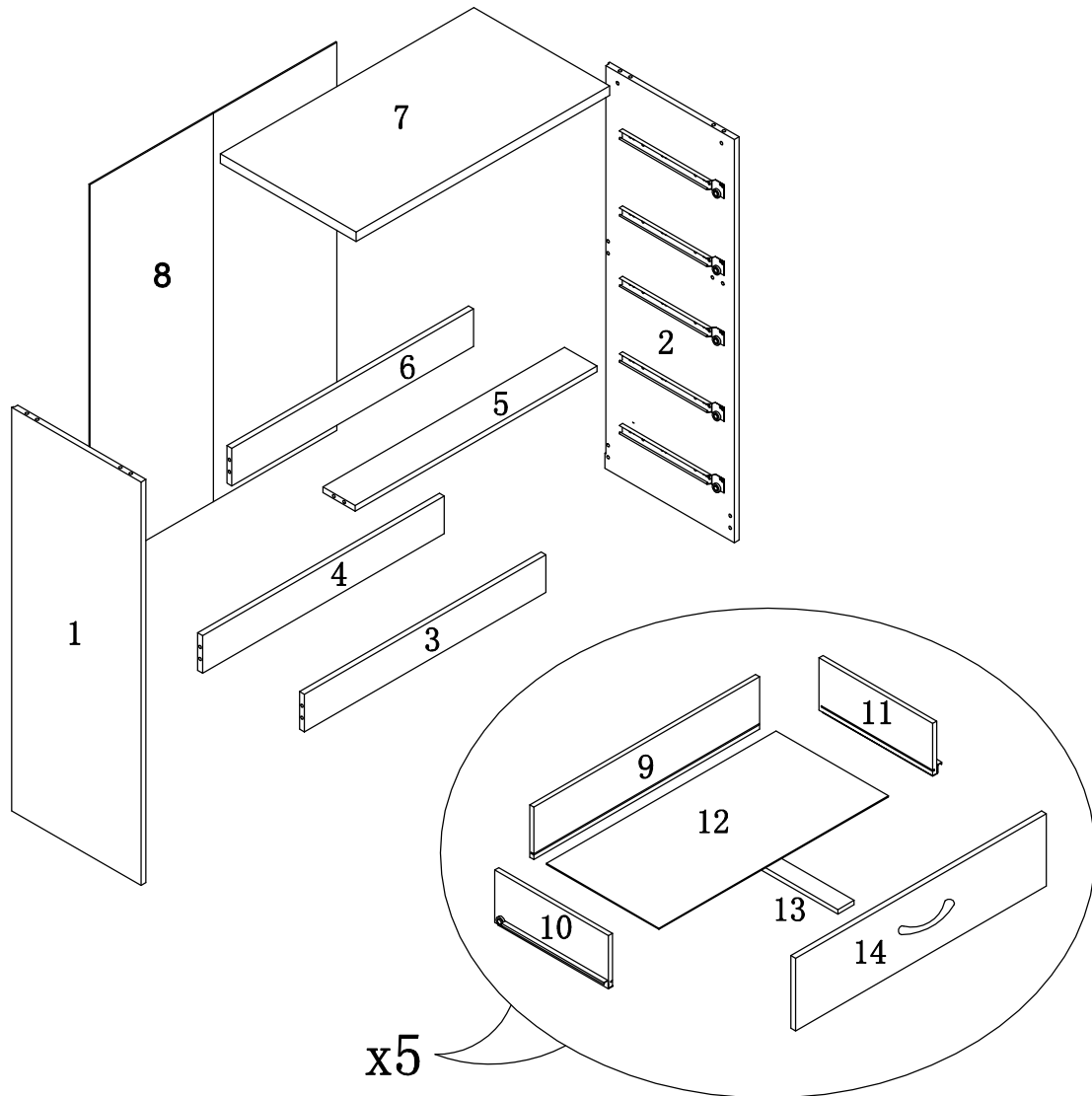
Tip #3: Read manual before assembling, it helps!

ITEM#: CS116LCH3/CS116MHG3/CS116RC/  
CS116BE3/CS116WHT3



# PARTS IDENTIFICATION

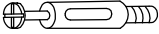

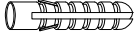

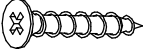

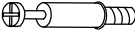






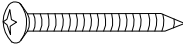
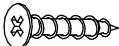

ITEM#: CS116LCH3/CS116MHG3/CS116RC/  
CS116BE3/CS116WHT3



(1)	1pc	(6)	1pc	(11)	5pcs
(2)	1pc	(7)	1pc	(12)	5pcs
(3)	1pc	(8)	1pc	(13)	5pcs
(4)	1pc	(9)	5pcs	(14)	5pcs
(5)	1pc	(10)	5pcs		

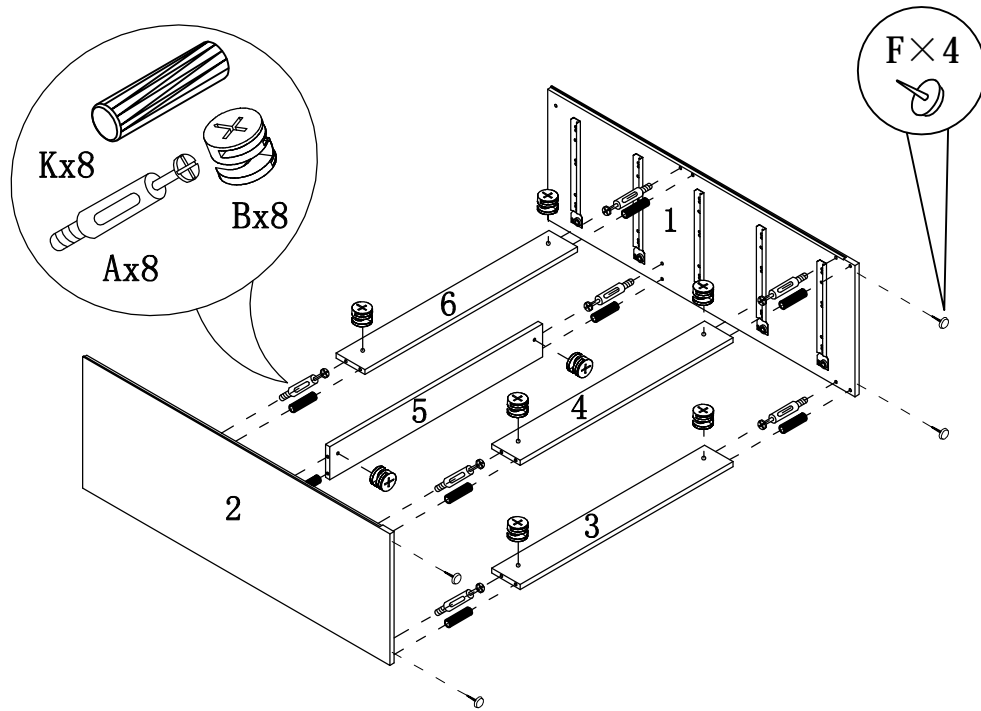
# HARDWARE IDENTIFICATION

ITEM#: CS116LCH3/CS116MHG3/CS116RC/  
CS116BE3/CS116WHT3

A		L29	12pcs
B		$\phi$ 15	12pcs
C		$\phi$ 8 $\times$ 40	1pc
D			36pcs
E		$\phi$ 4 $\times$ 30	30pcs
F		$\phi$ 16	4pcs
G		L20	20pcs
H		$\phi$ 12	20pcs
I		96MM	5pcs
J		$\phi$ 4 $\times$ 20	10pcs
K		$\phi$ 8 $\times$ 25	12pcs
L		$\phi$ 6 $\times$ 30	10pcs
M			1pc
N		$\phi$ 5 $\times$ 40	1pc
O		$\phi$ 4 $\times$ 25	1pc
P		Glue: For securing please apply to wood dowel first before inserting into panel	1pc

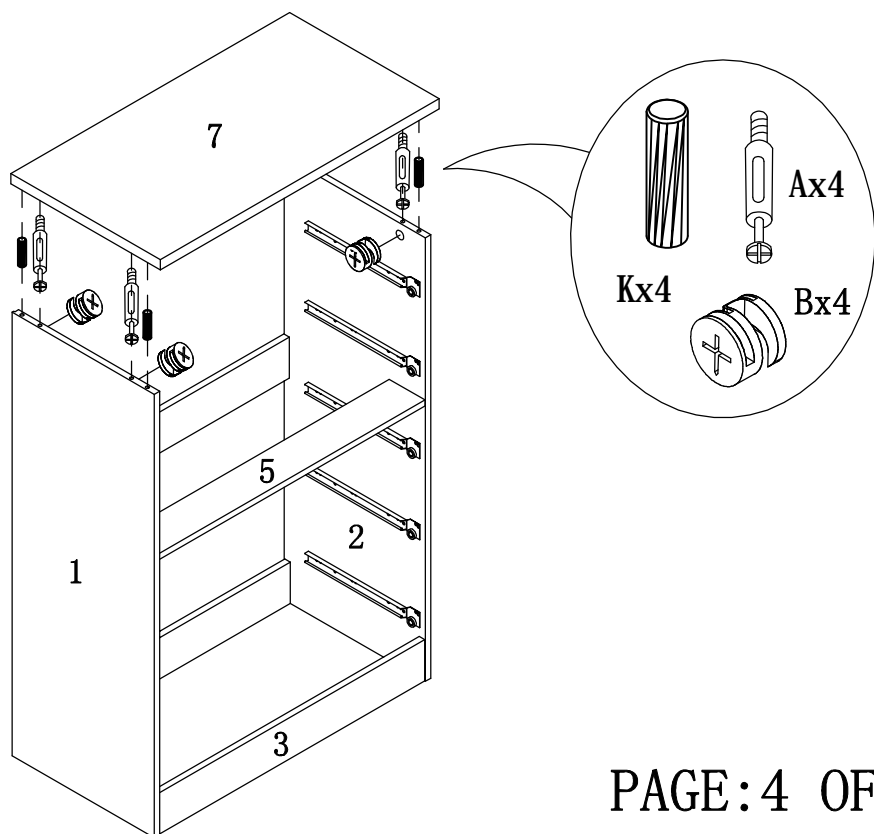
# ASSEMBLY INSTRUCTION

ITEM#: CS116LCH3/CS116MHG3/CS116RC/  
CS116BE3/CS116WHT3



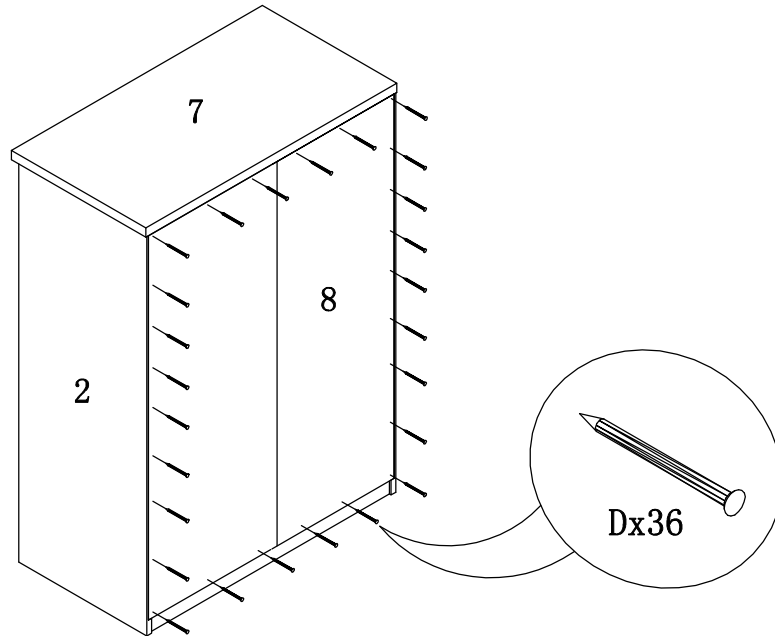
STEP 1

STEP 2



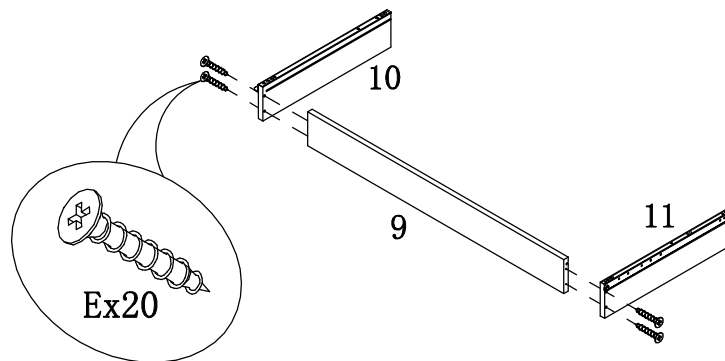
# ASSEMBLY INSTRUCTION

ITEM#: CS116LCH3/CS116MHG3/CS116RC/  
CS116BE3/CS116WHT3

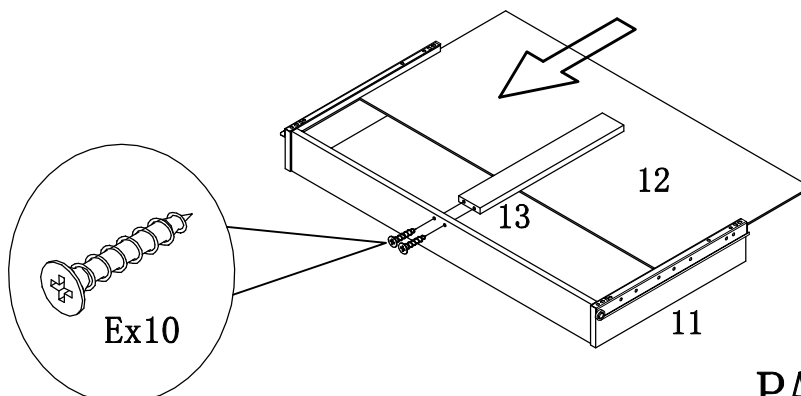


STEP3

STEP4

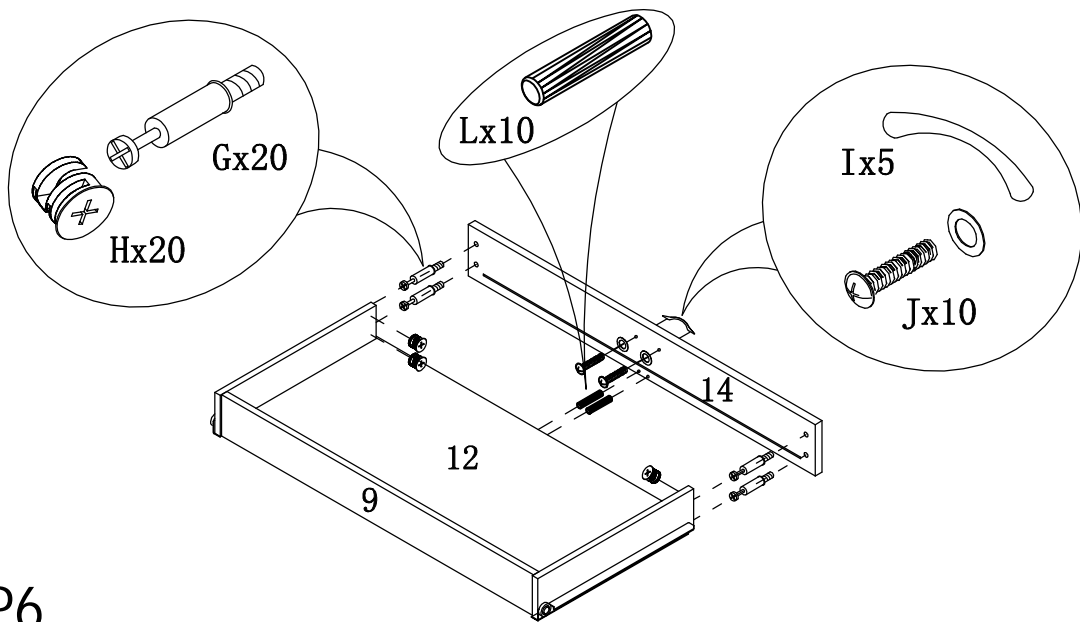


STEP5



# ASSEMBLY INSTRUCTION

ITEM#: CS116LCH3/CS116MHG3/CS116RC/  
CS116BE3/CS116WHT3



STEP6

STEP7

