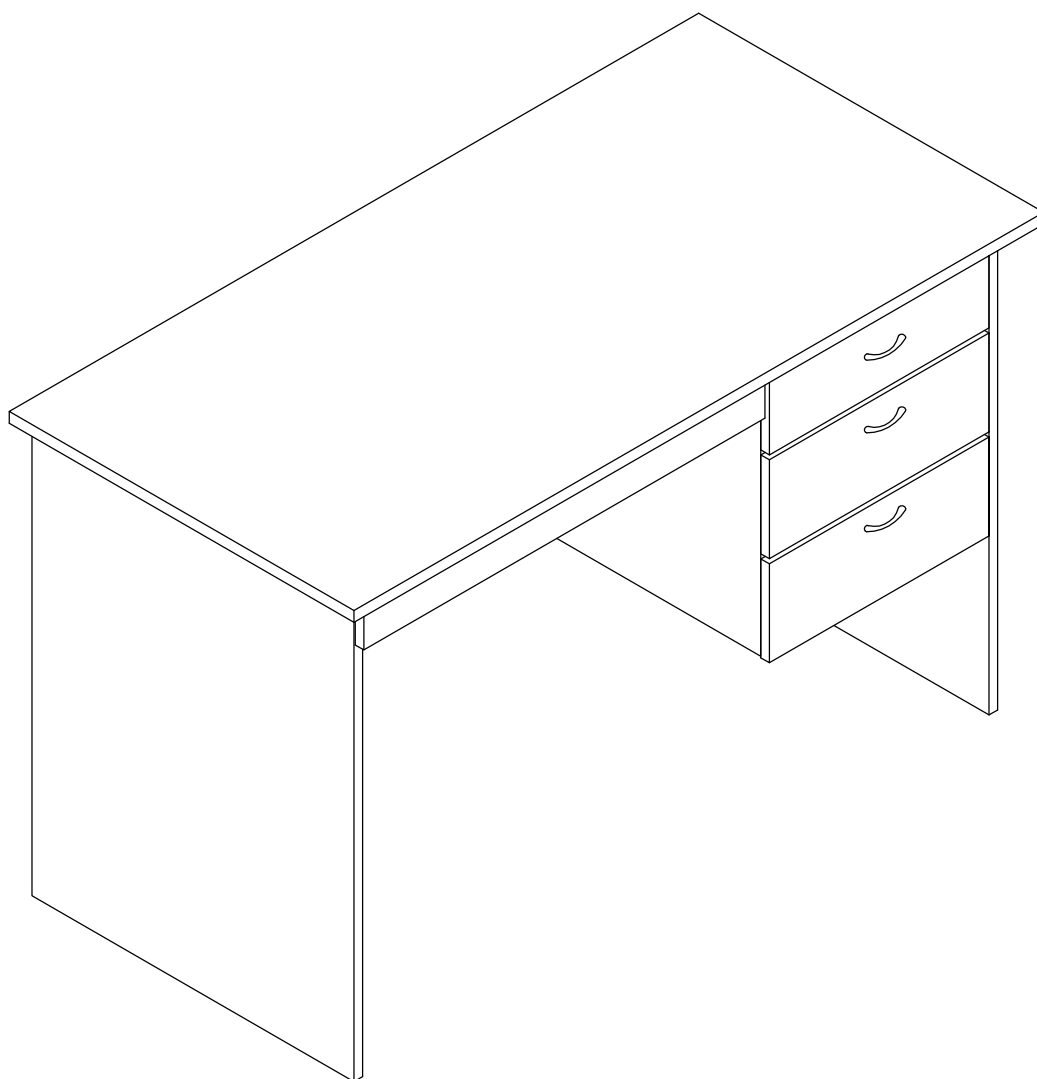


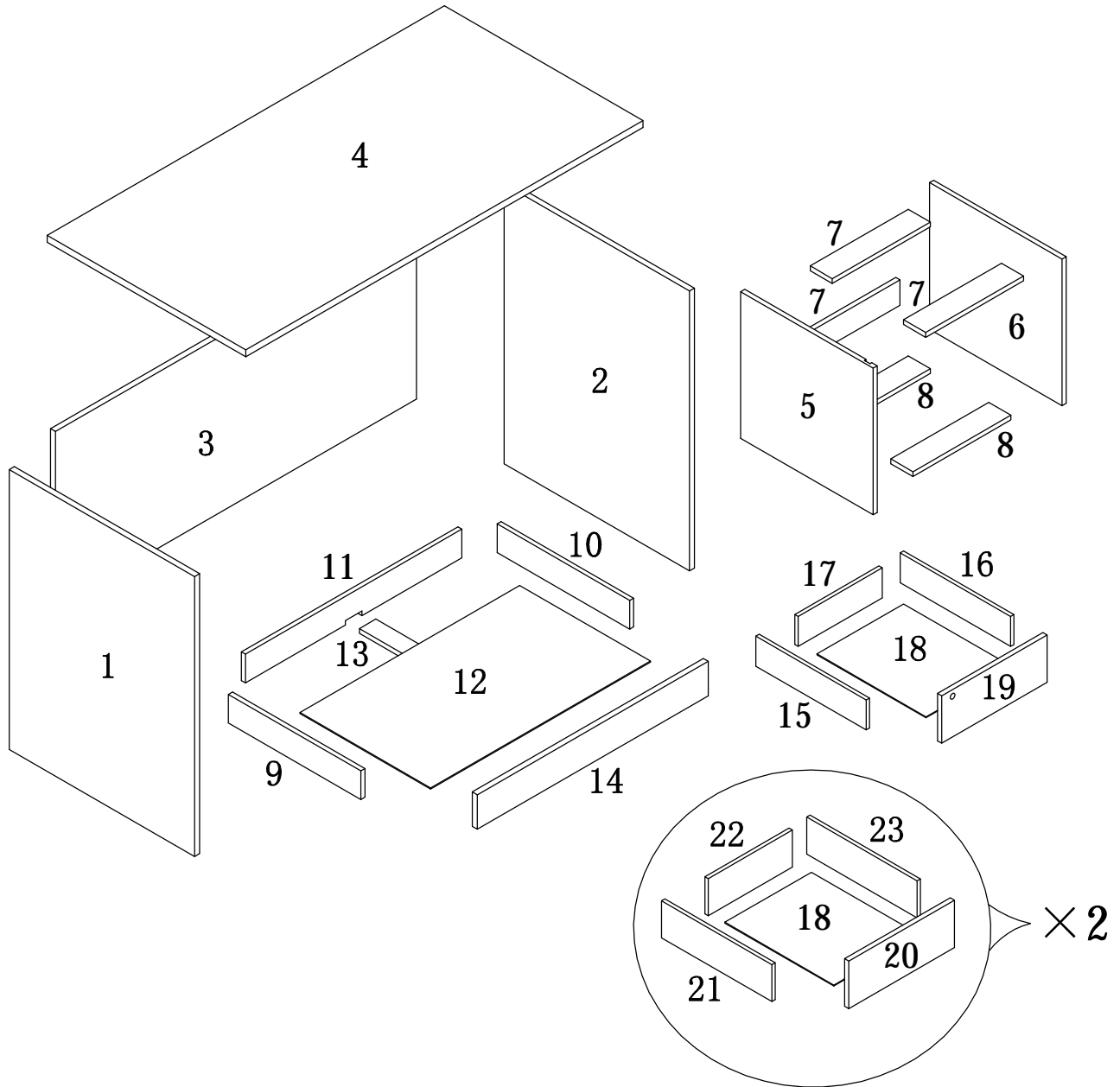
ASSEMBLY INSTRUCTION

ITEM#: 1202KD 1206KD
151178-KD 161529-KD 192498



ASSEMBLY INSTRUCTION


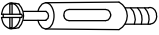
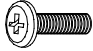
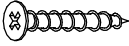
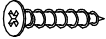

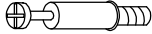






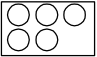

ITEM#: 1202KD 1206KD



(1)	1pc	(9)	1pc	(17)	1pc
(2)	1pc	(10)	1pc	(18)	3pcs
(3)	1pc	(11)	1pc	(19)	1pc
(4)	1pc	(12)	1pc	(20)	2pcs
(5)	1pc	(13)	1pc	(21)	2pcs
(6)	1pc	(14)	1pc	(22)	2pcs
(7)	3pcs	(15)	1pc	(23)	2pcs
(8)	2pcs	(16)	1pc		

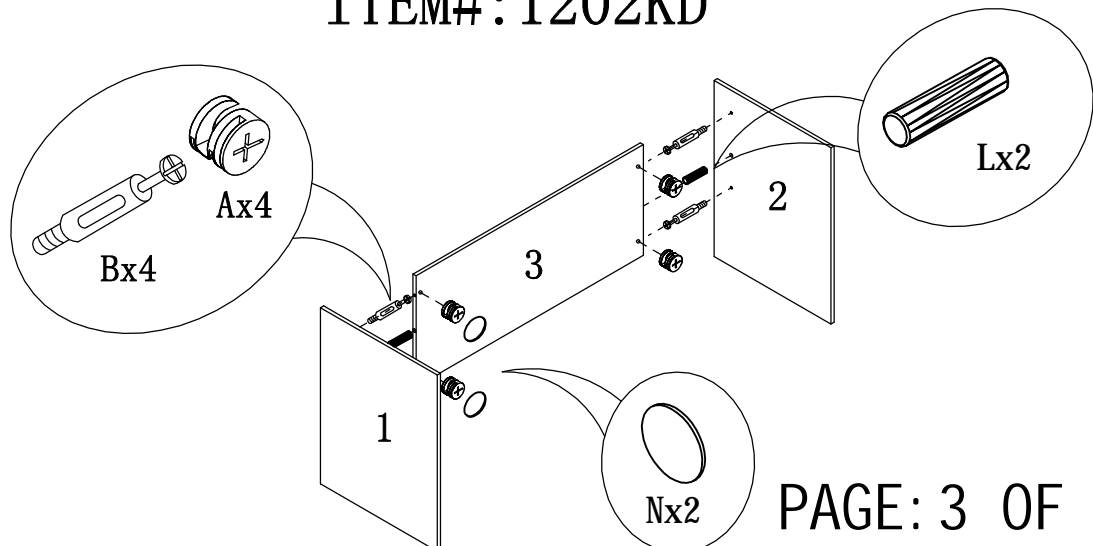
HARDWARE IDENTIFICATION

ITEM#: 1202KD 1206KD

A		$\phi 15$	20pcs
B		L29	20pcs
C		$\phi 6 \times 25$	6pcs
D		$\phi 4 \times 30$	16pcs
E		$\phi 4 \times 25$	2pcs
F		$\phi 12$	16pcs
G		L20	16pcs
H		64mm	3pcs
I		$\phi 4 \times 22$	6pcs
J			1pc
K		$\phi 3.5 \times 12$	2pcs
L		$\phi 8 \times 25$	17pcs
M		$\phi 6 \times 30$	2pcs
N		$\phi 18$	5pcs
P		It's used for stick the stopper to the connecting hole firmly	1pc

ASSEMBLY INSTRUCTION

ITEM#: 1202KD

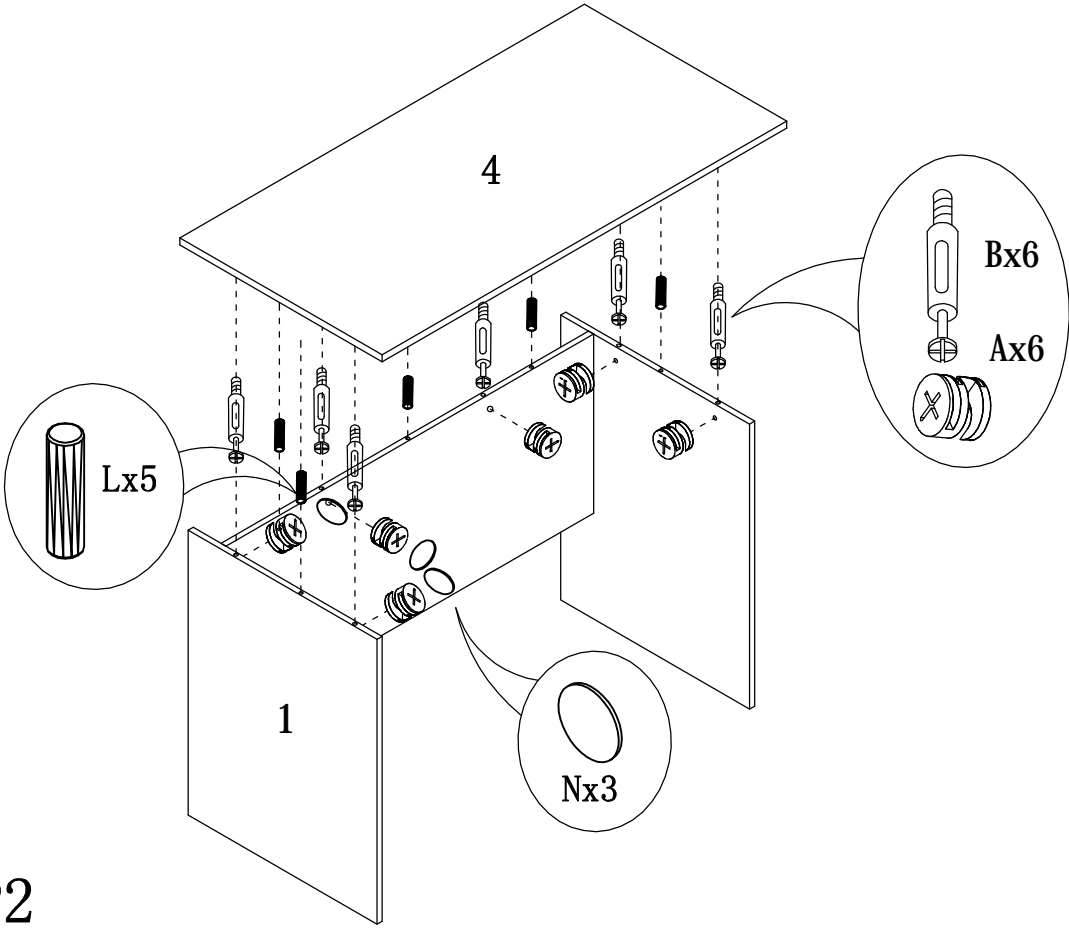


STEP1

PAGE: 3 OF 7

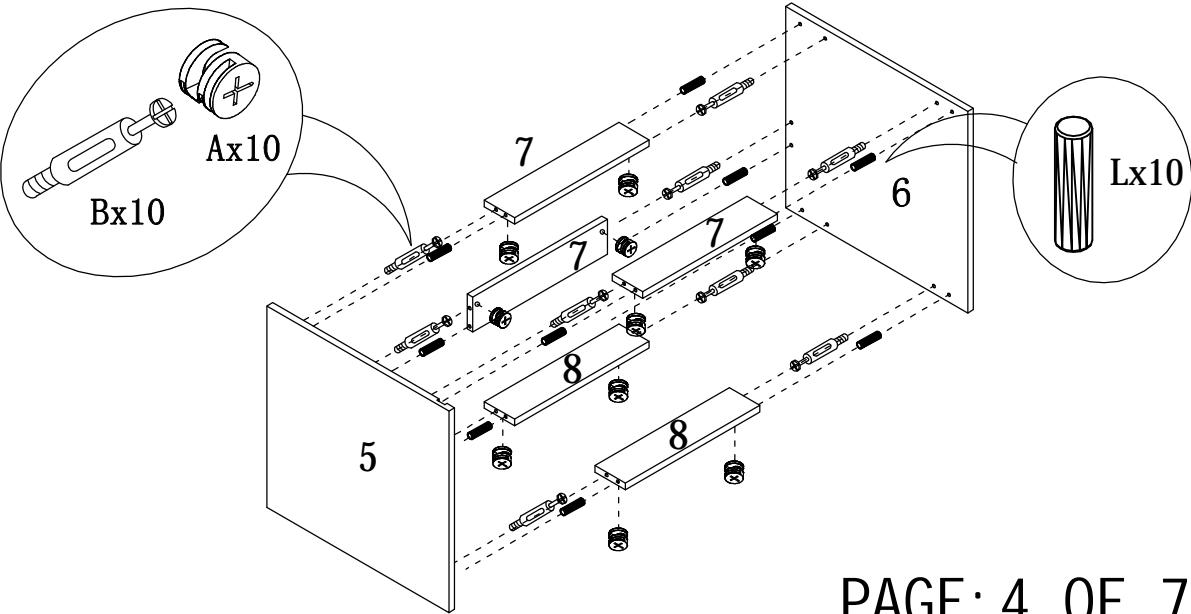
ASSEMBLY INSTRUCTION

ITEM#: 1202KD 1206KD



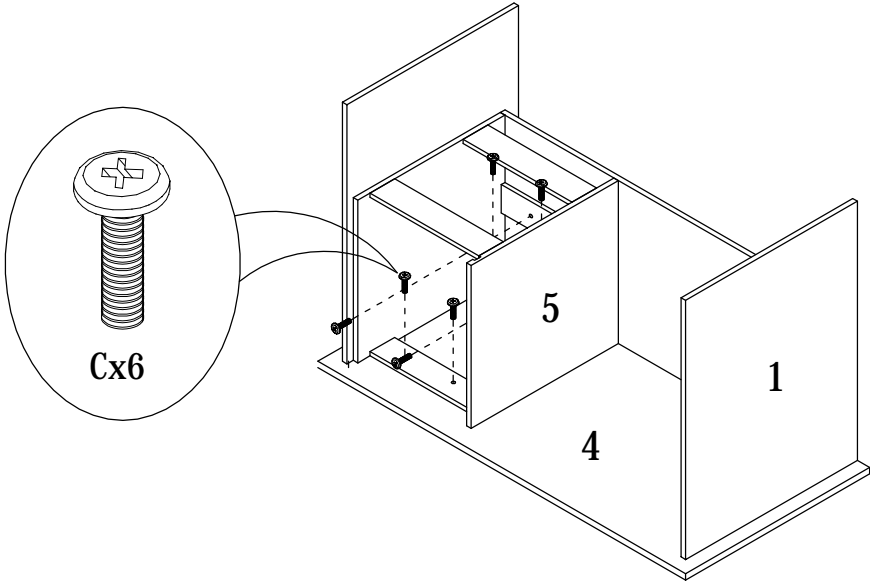
STEP2

STEP3



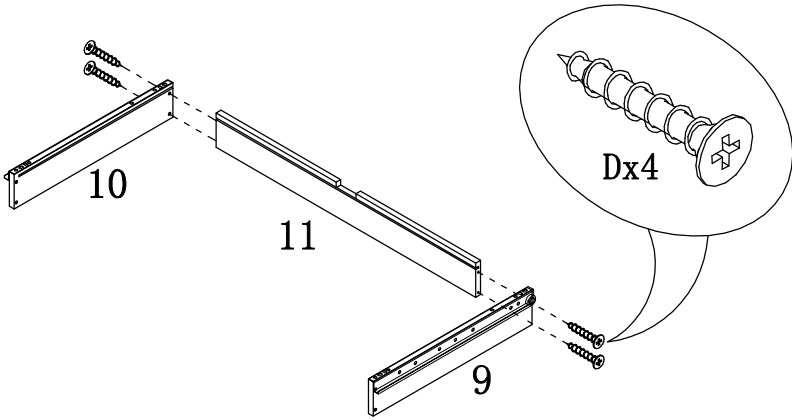
ASSEMBLY INSTRUCTION

ITEM#: 1202KD 1206KD

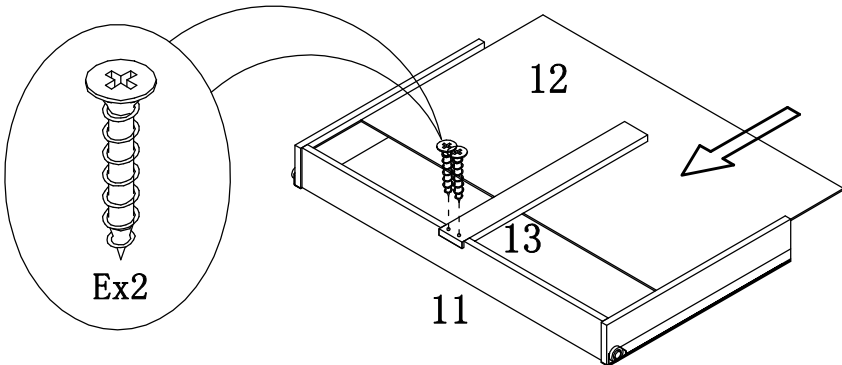


STEP4

STEP5

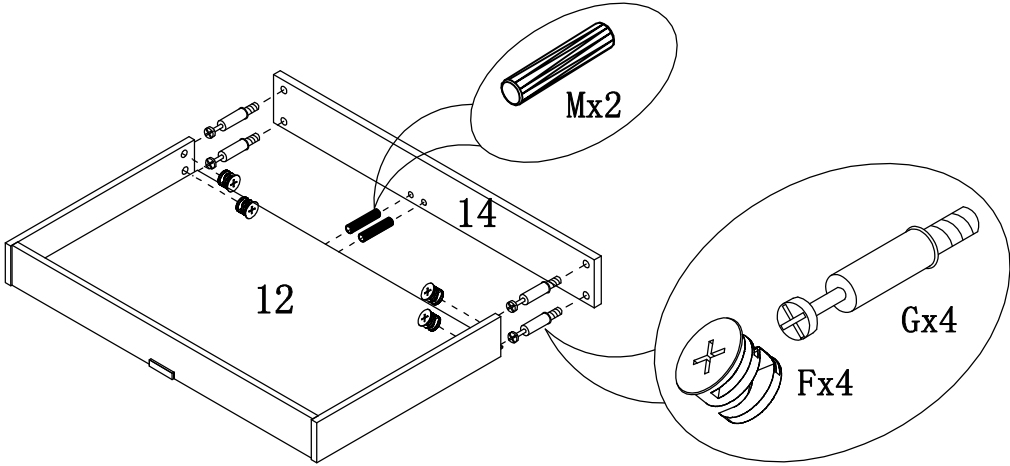


STEP6



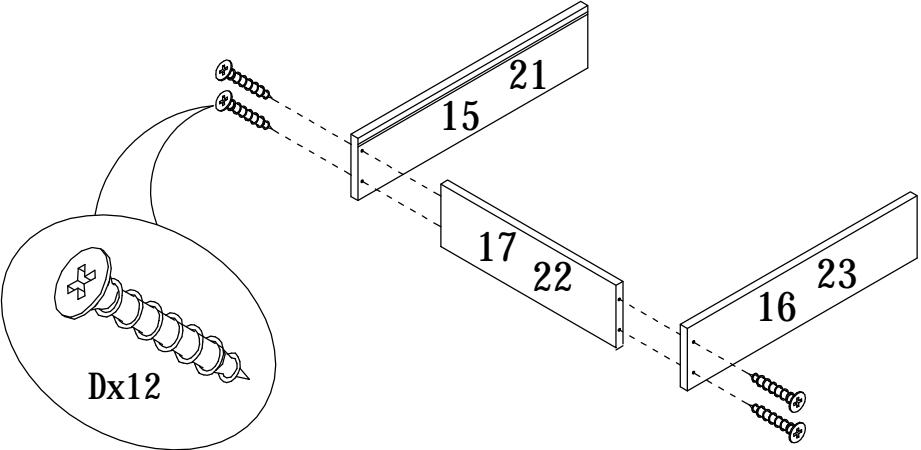
ASSEMBLY INSTRUCTION

ITEM#: 1202KD 1206KD

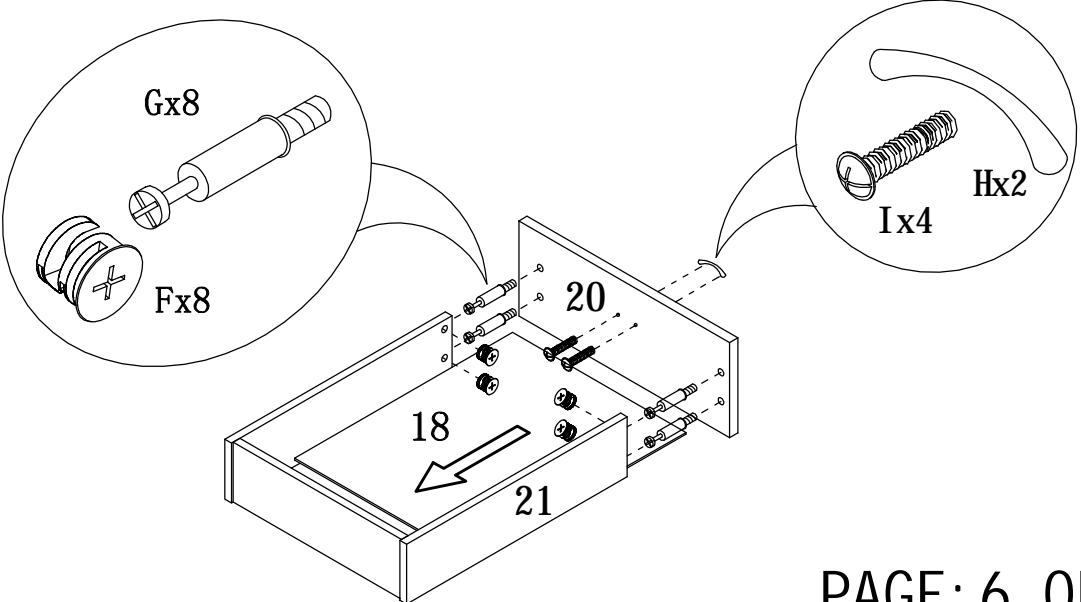


STEP7

STEP8

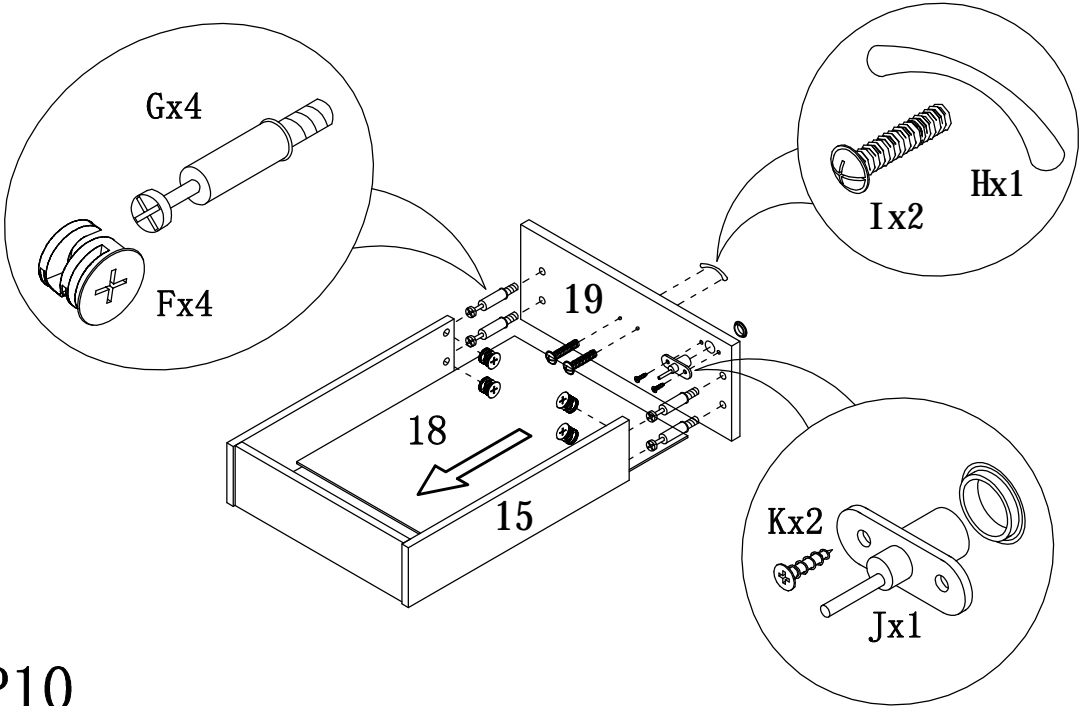


STEP9



ASSEMBLY INSTRUCTION

ITEM#: 1202KD 1206KD



STEP10

STEP11

