

ASSEMBLY INSTRUCTION

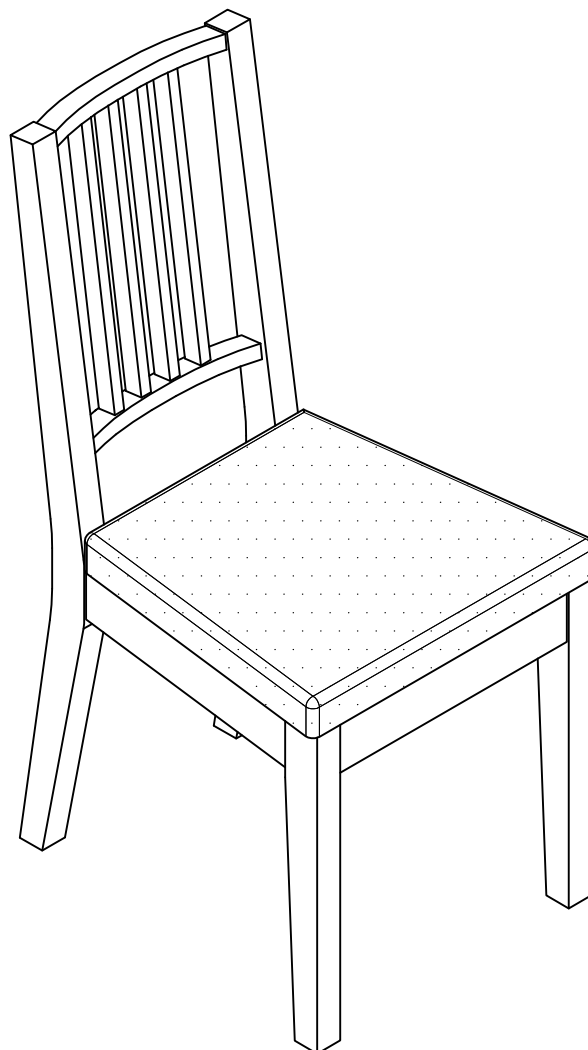
PLEASE READ BEFORE ASSEMBLING!

Tip #1: Make sure you've taken all the pieces and hardware out of its packaging before discarding the box.

Tip #2: Using page 2 and/or page 3 of instruction manual make sure all pieces and hardware are accounted for.

Tip #3: Read manual before assembling, it helps!

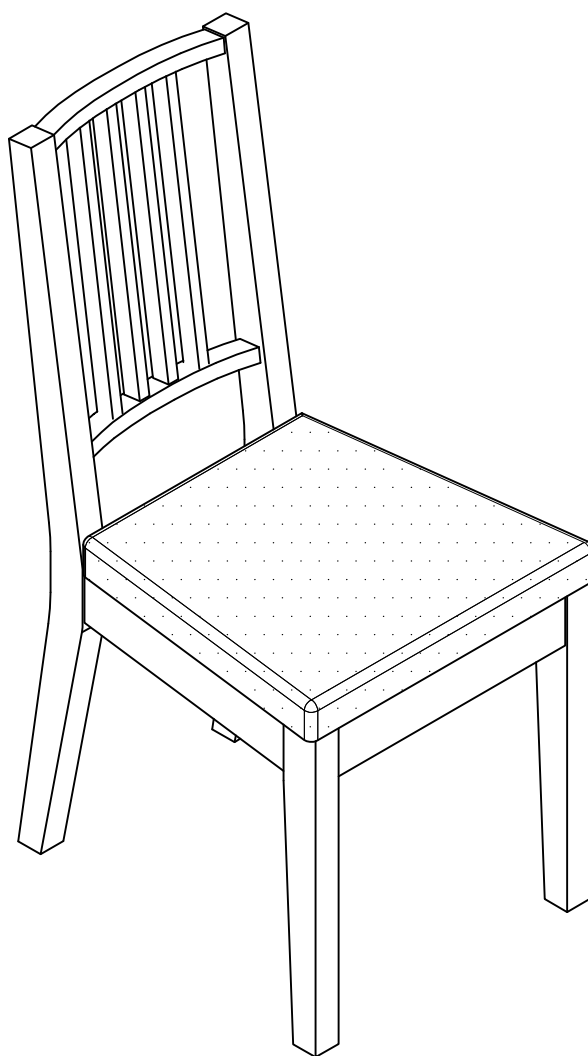
ITEM# DC14012 DC15015



X2

ASSEMBLY INSTRUCTION

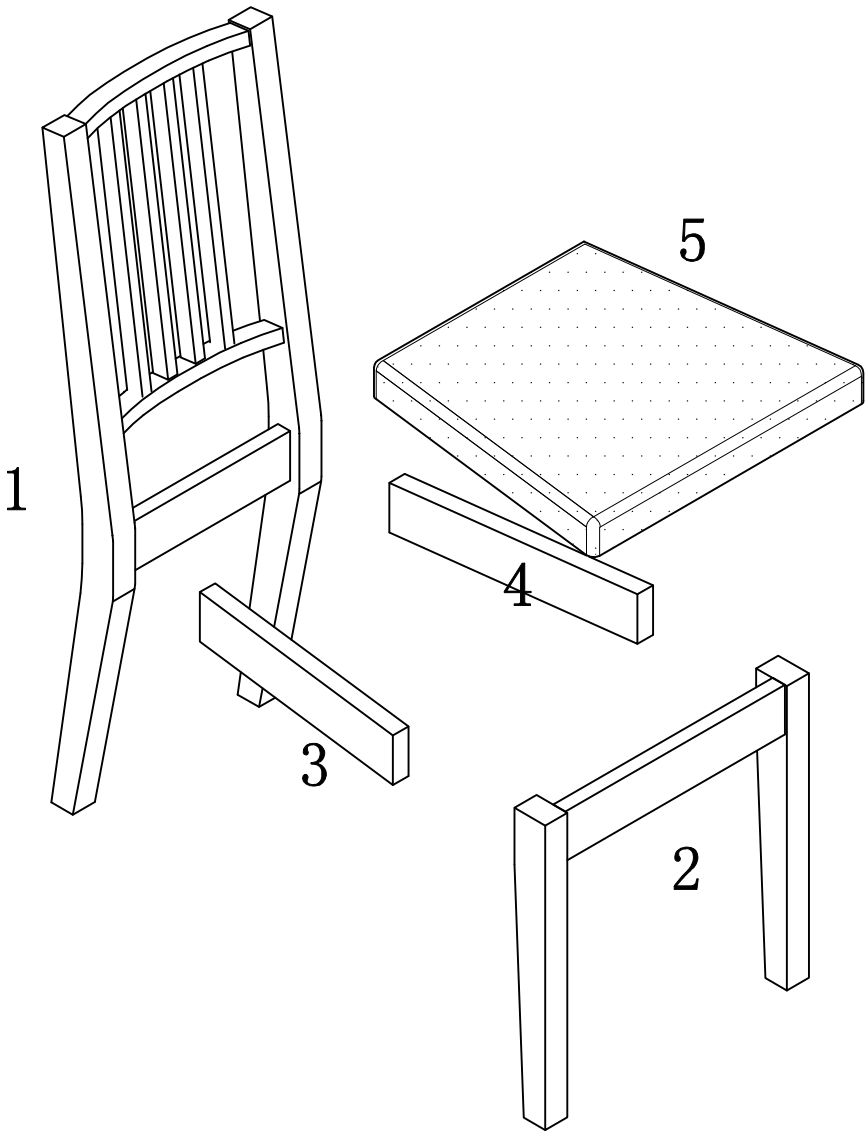
ITEM#:DC14012



X2

ASSEMBLY INSTRUCTION

ITEM#:DC14012



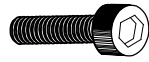
X2

- (1) 2pc
- (2) 2pc
- (3) 2pc
- (4) 2pc
- (5) 2pc

HARDWARE IDENTIFICATION

ITEM#: DC14012-X2

A



M8x45

16pcs

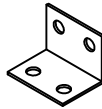
B



M8x2MM

32pcs

C



28x20x20 (BK)

8pcs

D



∅4x16 (BK)

32pcs

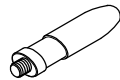
E



M6

1pc

F

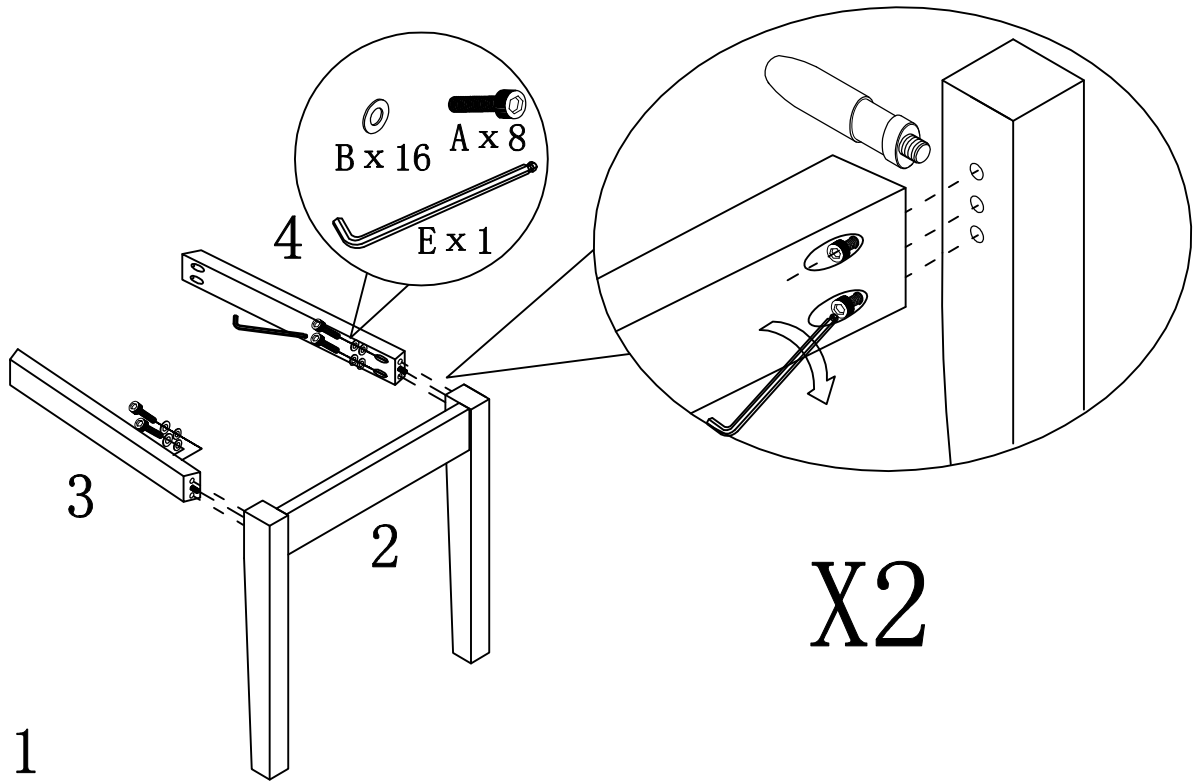


Glue: For securing please
apply to wood dowel first
before inserting into panel

1pc

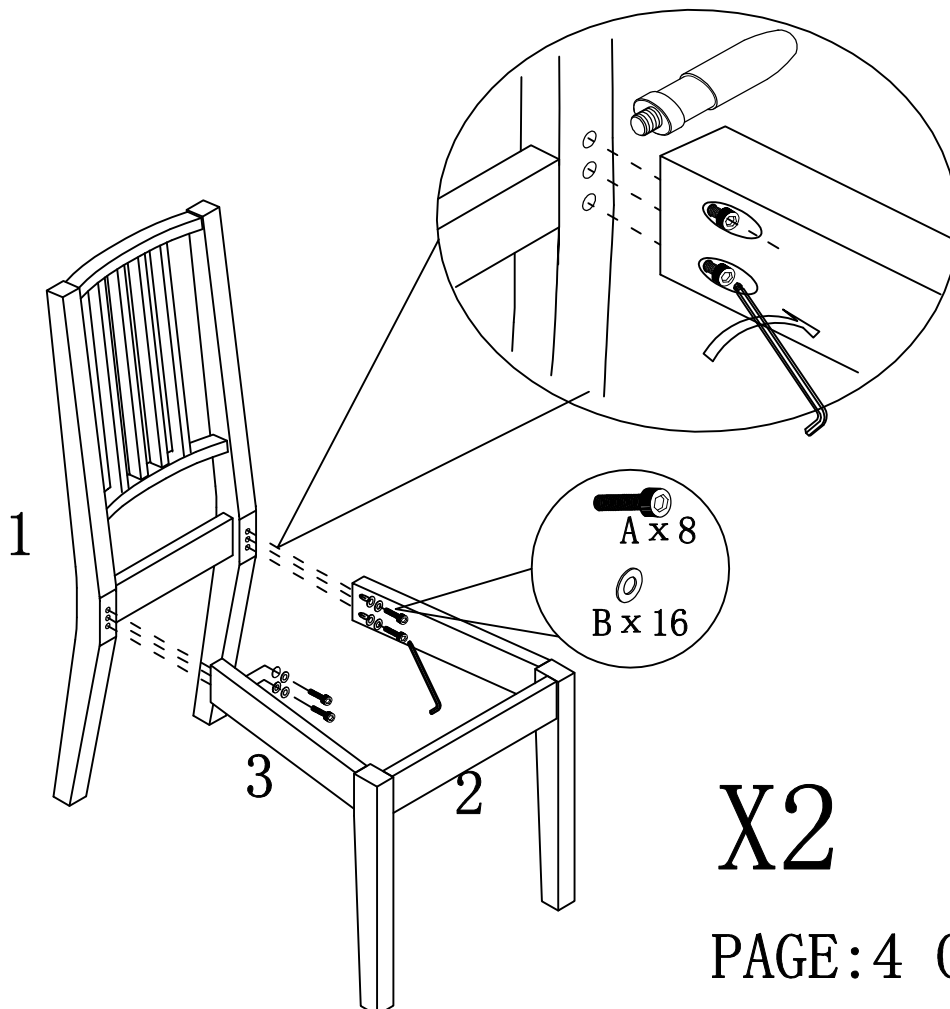
ASSEMBLY INSTRUCTION

ITEM#:DC14012



STEP 1

STEP 2

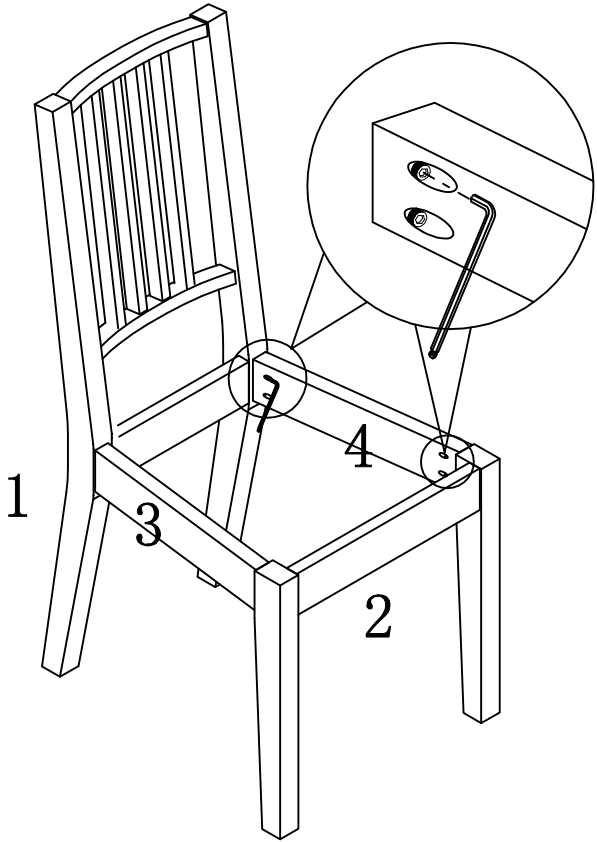


X2

PAGE:4 OF 6

ASSEMBLY INSTRUCTION

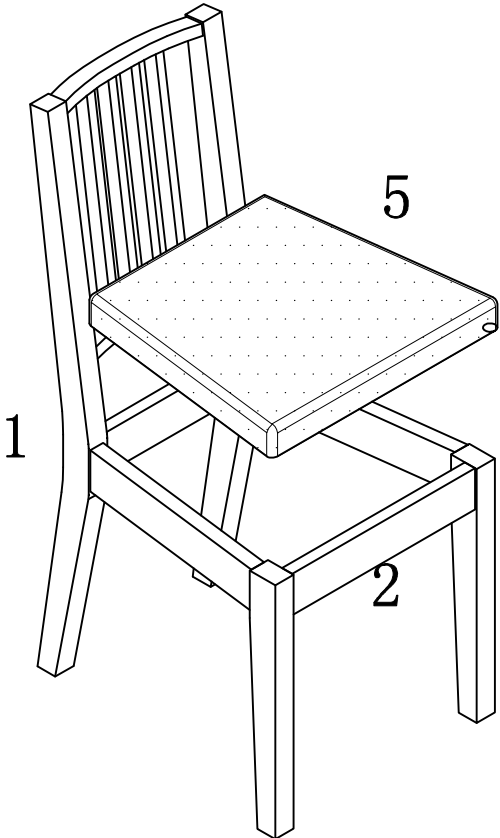
ITEM#:DC14012



X2

STEP 3

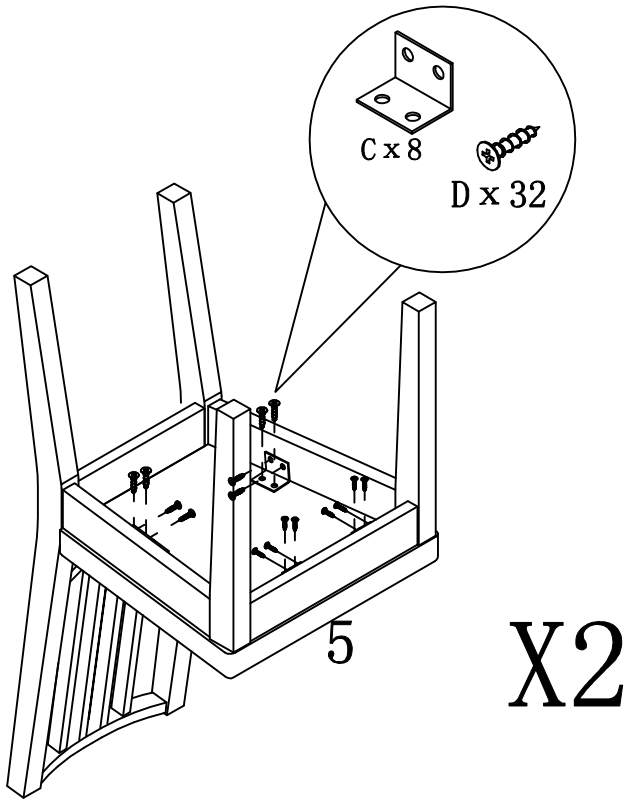
STEP 4



X2

ASSEMBLY INSTRUCTION

ITEM#: DC14012



STEP 5

STEP 6

