

ASSEMBLY INSTRUCTION

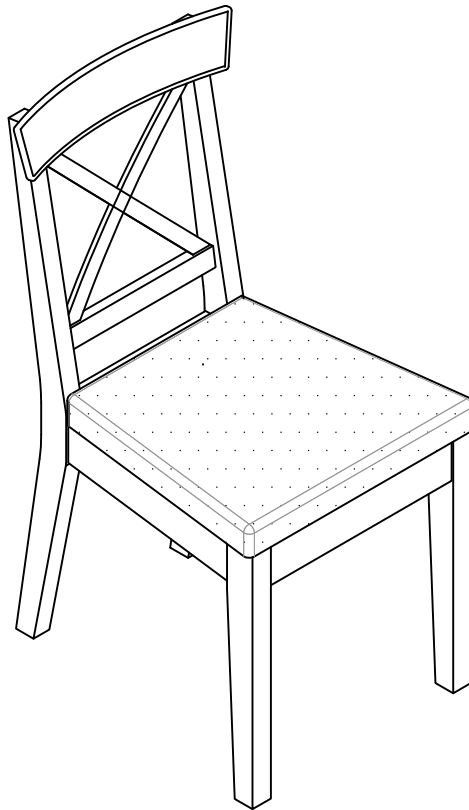
PLEASE READ BEFORE ASSEMBLING!

Tip #1: Make sure you've taken all the pieces and hardware out of its packaging before discarding the box.

Tip #2: Using page 2 and/or page 3 of instruction manual make sure all pieces and hardware are accounted for.

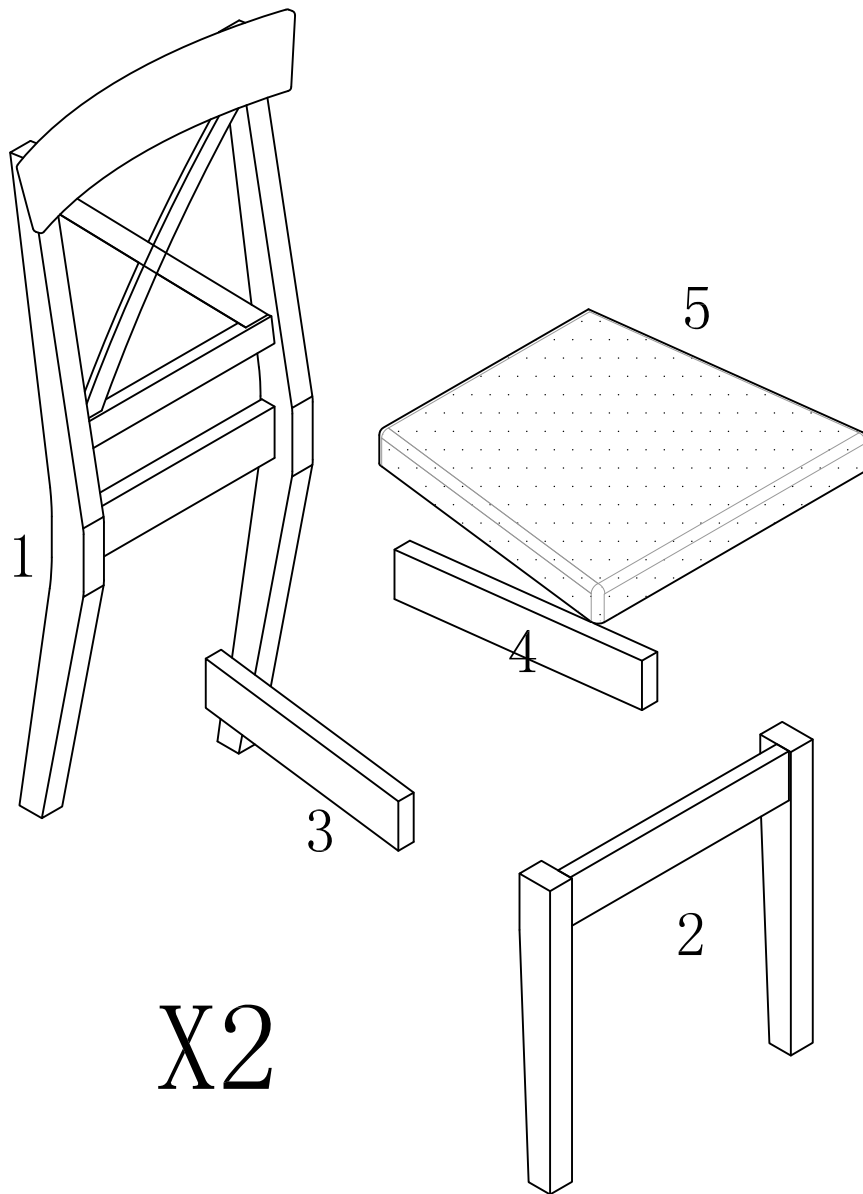
Tip #3: Read manual before assembling, it helps!

ITEM#: DC15024 DC15021



ASSEMBLY INSTRUCTION

ITEM#:DC15024 DC15021



X2

- | | |
|-----|------|
| (1) | 2pcs |
| (2) | 2pcs |
| (3) | 2pcs |
| (4) | 2pcs |
| (5) | 2pcs |

HARDWARE IDENTIFICATION

ITEM#:DC15024 DC15021

A



M8x60

16pcs

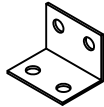
B



M8x2MM

32pcs

C



28x20x20

8pcs

D



∅4x16

32pcs

E

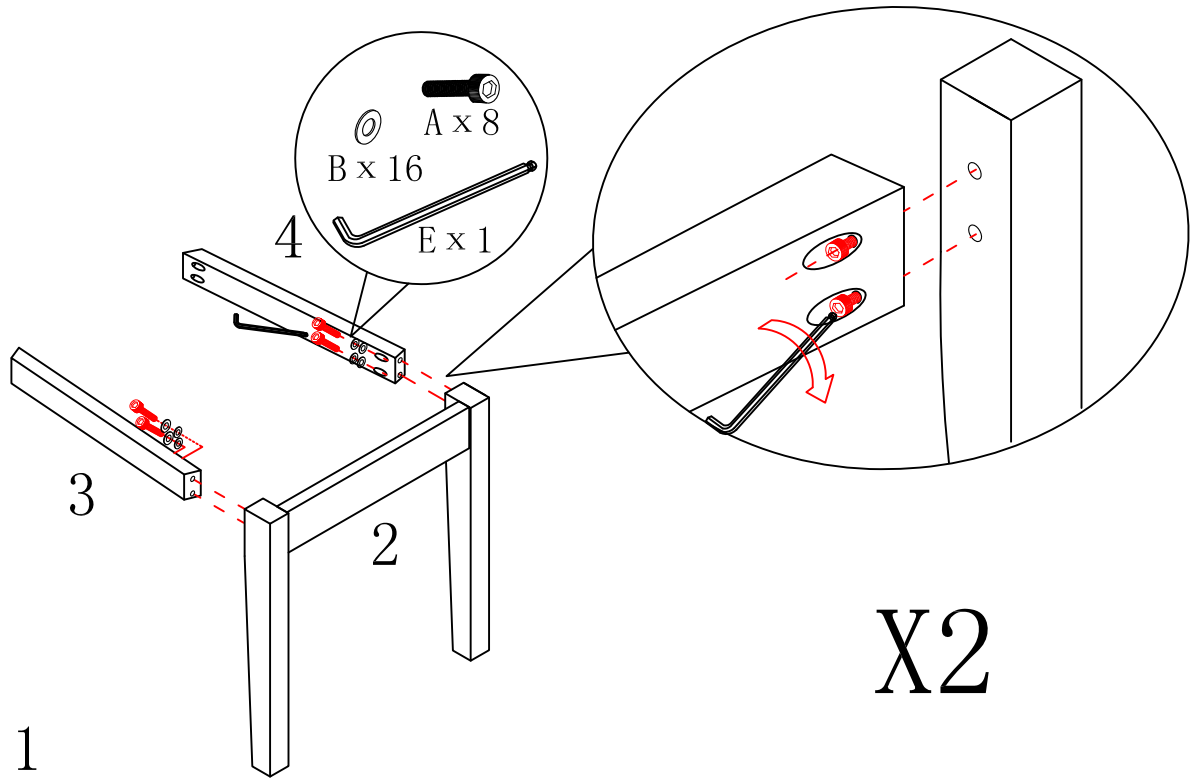


M6

1pc

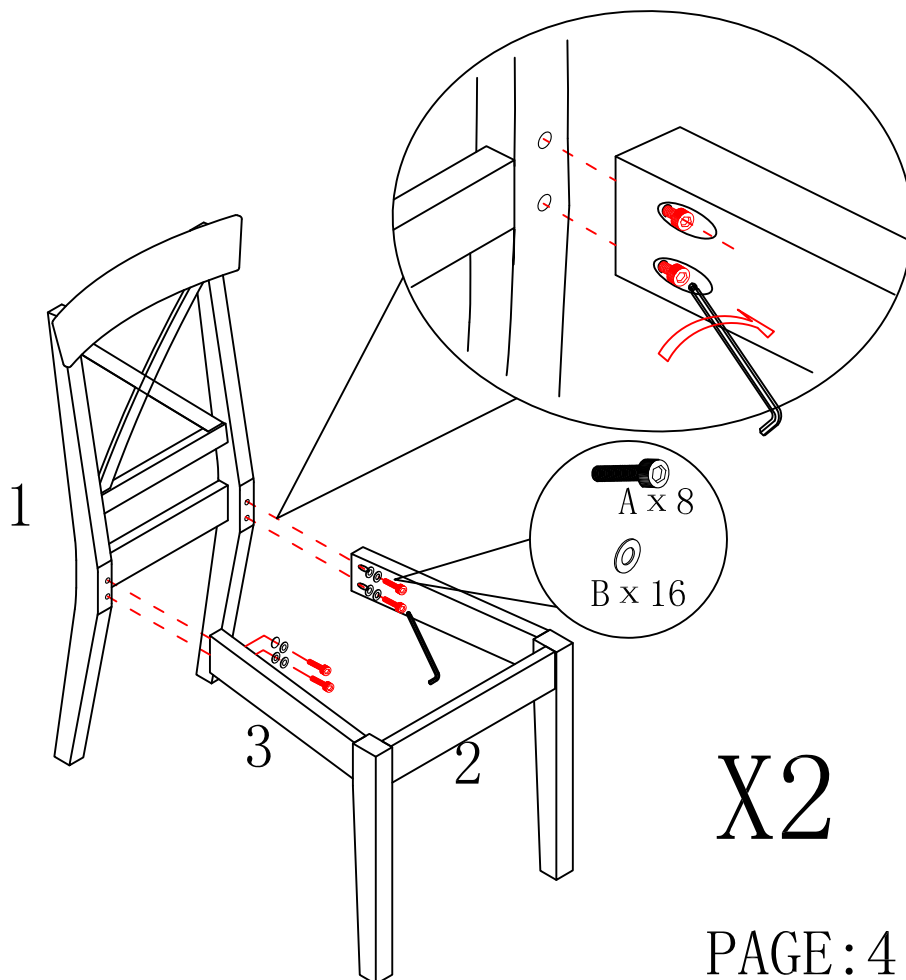
ASSEMBLY INSTRUCTION

ITEM#:DC15024 DC15021



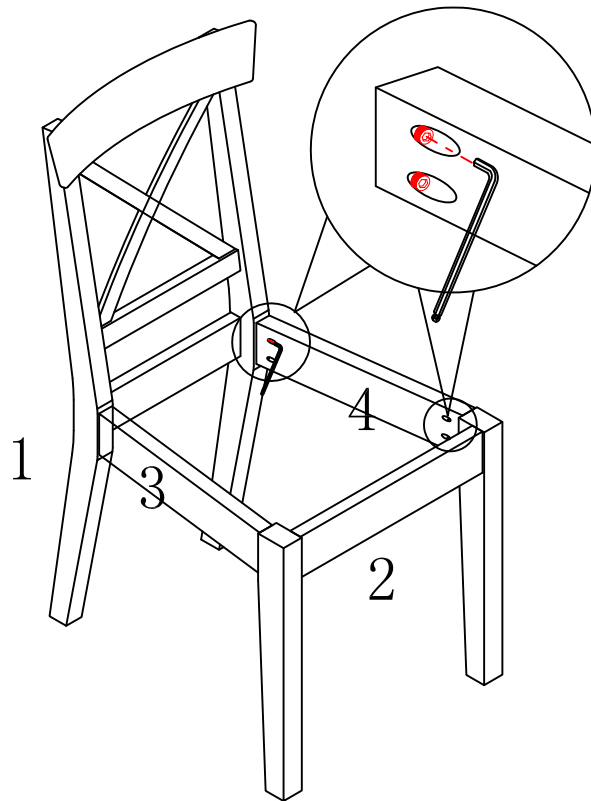
STEP 1

STEP 2



ASSEMBLY INSTRUCTION

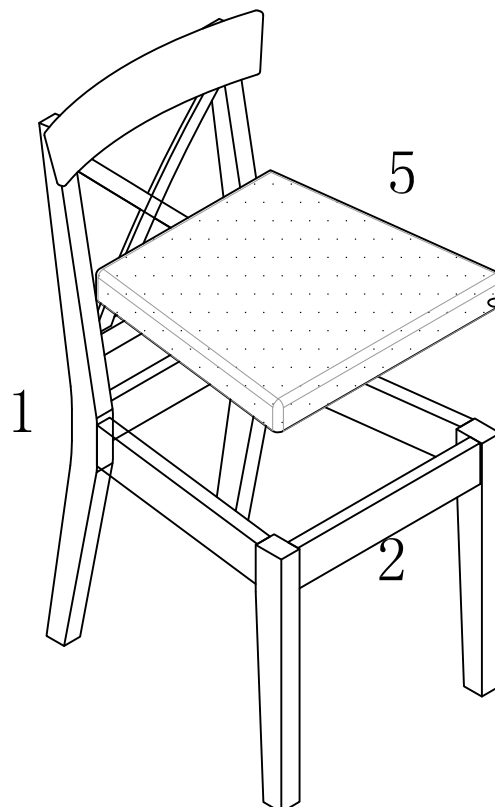
ITEM#:DC15024 DC15021



X2

STEP 3

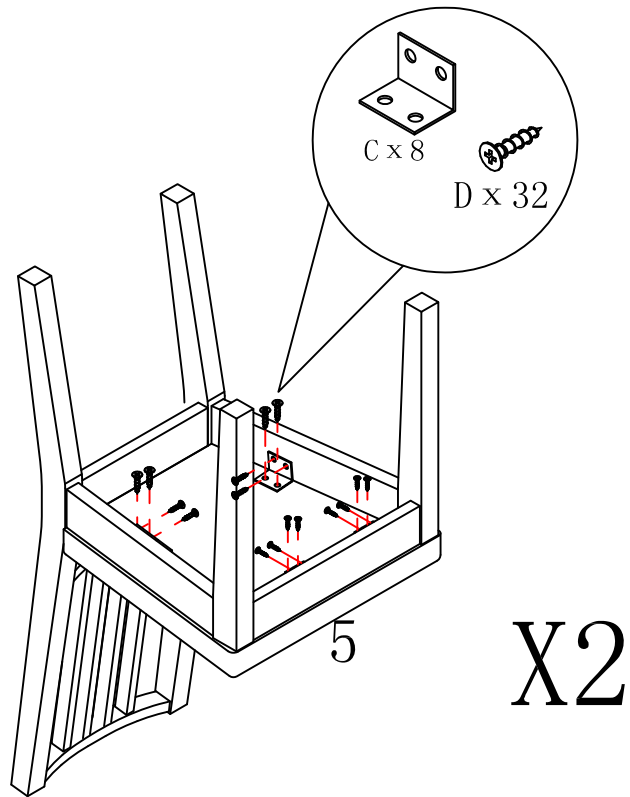
STEP 4



X2

ASSEMBLY INSTRUCTION

ITEM#: DC15024 DC15021



STEP 5

STEP 6

