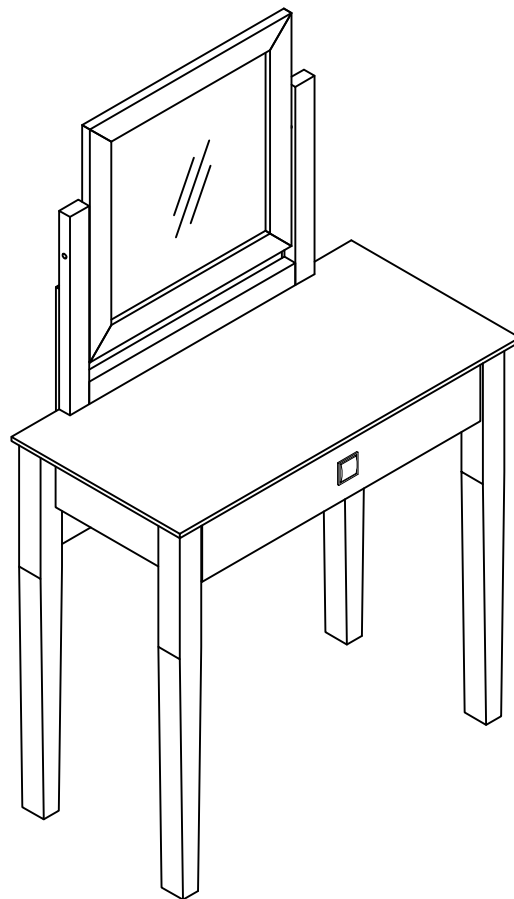


# ASSEMBLY INSTRUCTION

---

ITEM#:K16036 K16031



# ASSEMBLY INSTRUCTION

---

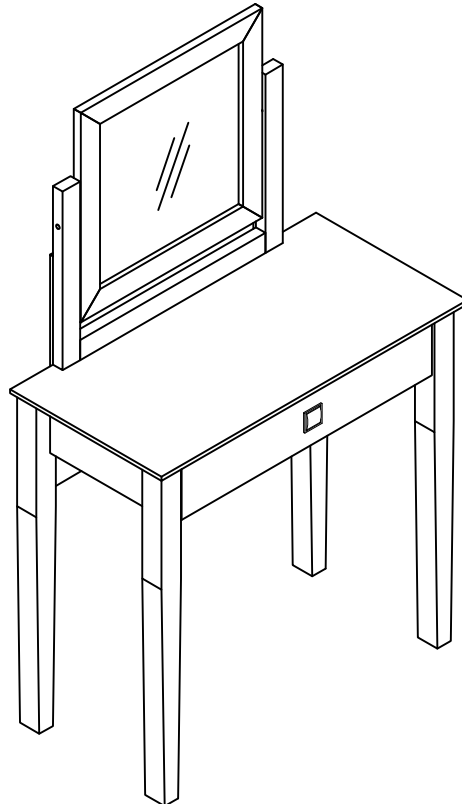
## **PLEASE READ BEFORE ASSEMBLING!**

Tip #1: Make sure you've taken all the pieces and hardware out of its packaging before discarding the box. Assembly on top of flattened box/blanket is recommended.

Tip #2: Using page 2 and/or page 3 of instruction manual make sure all pieces and hardware are accounted for.

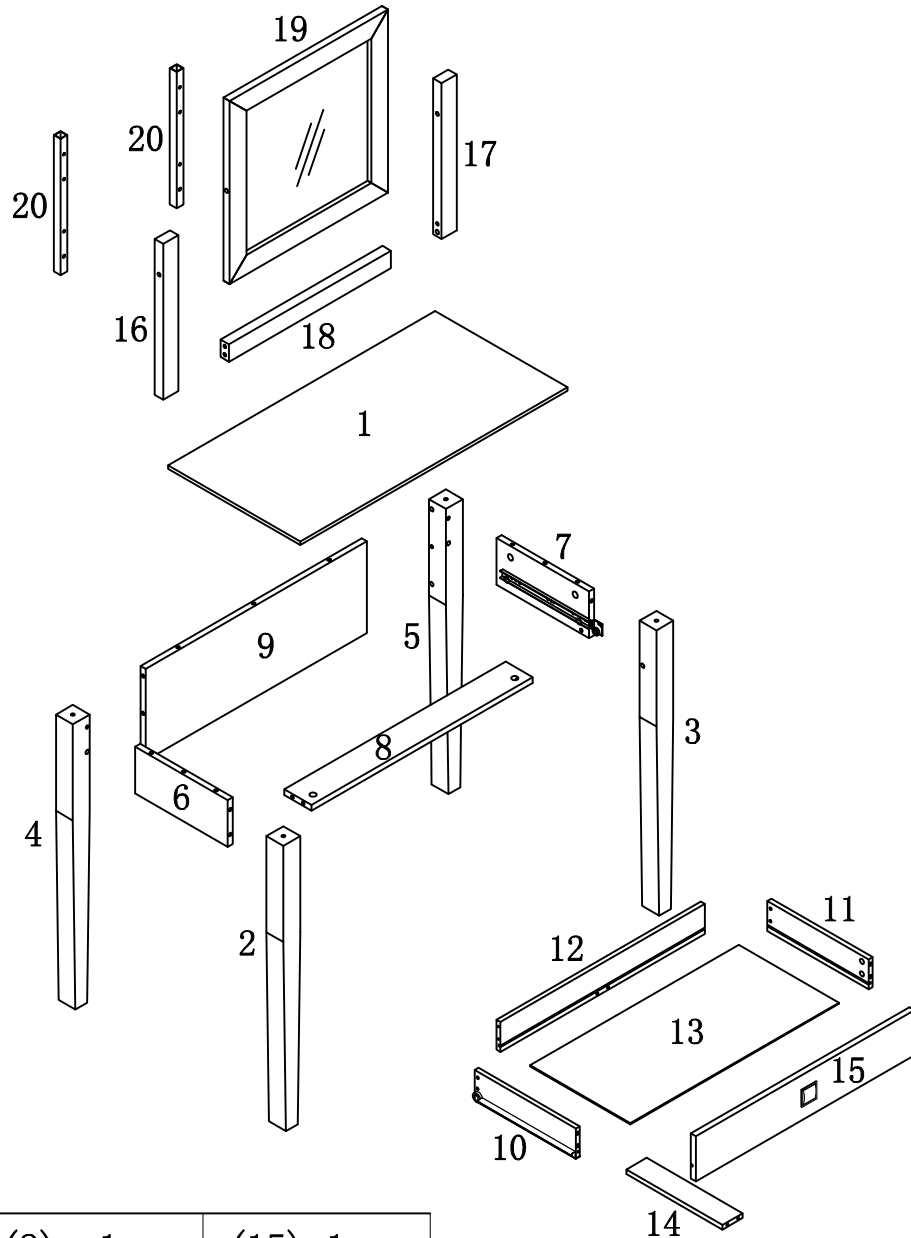
Tip #3: Note position of all holes on each panel during assembly.

ITEM#:K16036 K16031



# PARTS IDENTIFICATION



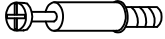


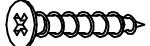



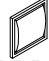


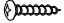
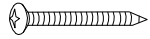
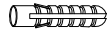


ITEM#:K16036 K16031



(1)	1pc	(8)	1pc	(15)	1pc
(2)	1pc	(9)	1pc	(16)	1pc
(3)	1pc	(10)	1pc	(17)	1pc
(4)	1pc	(11)	1pc	(18)	1pc
(5)	1pc	(12)	1pc	(19)	1pc
(6)	1pc	(13)	1pc	(20)	2pcs
(7)	1pc	(14)	1pc		

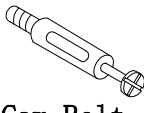
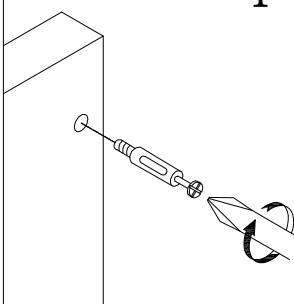
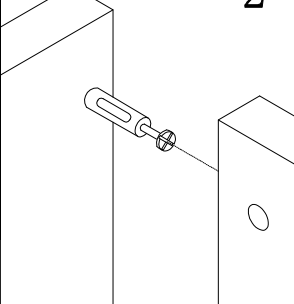
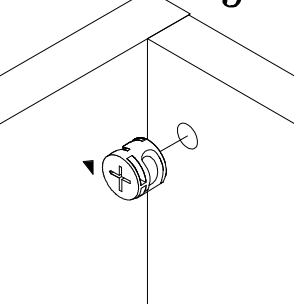
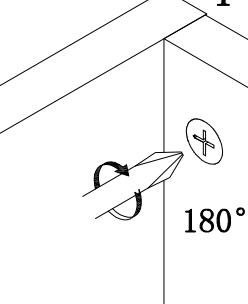

# HARDWARE IDENTIFICATION

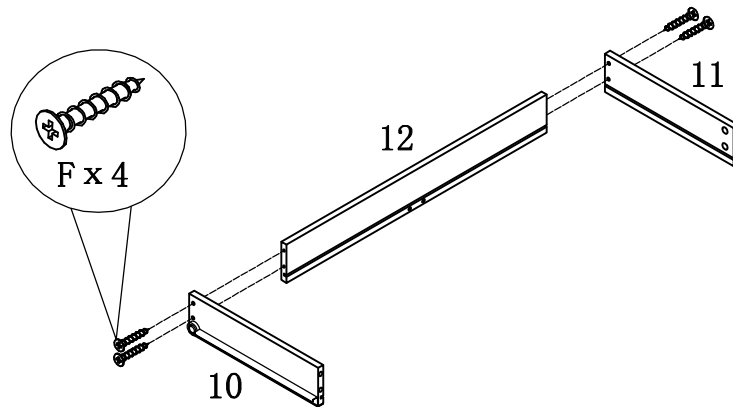
ITEM#:K16036 K16031

A		L29	17pcs
B		Ø15	17pcs
C		L20	4pcs
D		Ø12	4pcs
E		M8x85	2pcs
F		Ø4x30	14pcs
G		Ø8x25	18pcs
H		Ø6x30	2pcs
I		Ø16	4pcs
J			1pc
K		M4x10	1pc
L		197×5×1	1pc
M		Ø4×25	1pc
N		Ø5×40	1pc
O		Ø8×40	1pc
P		12×12×1	2pcs
Q		Glue: For securing please apply to wood dowel first before inserting into panel	1pc

# ASSEMBLY INSTRUCTION

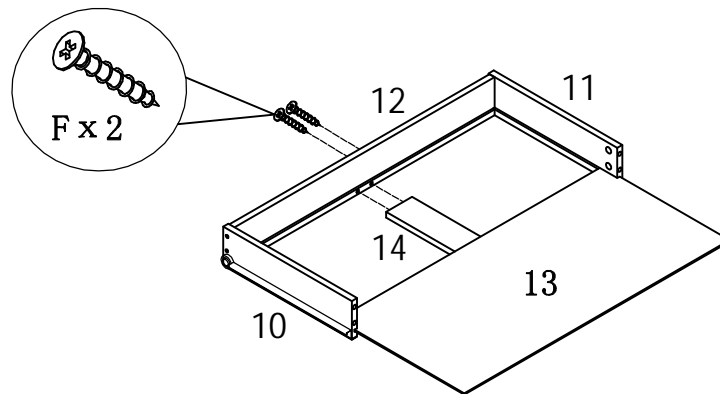
ITEM#:K16036 K16031

HOW TO	1	2	3	4
 Cam Bolt				
 Cam Lock	1. Screw Cam Bolt into panel.	2. Insert Cam Bolt into bolt hole of joining panel.	3. Insert Cam Lock. arrow facing bolt.	4. Gently turn Cam Lock clockwise to lock position.



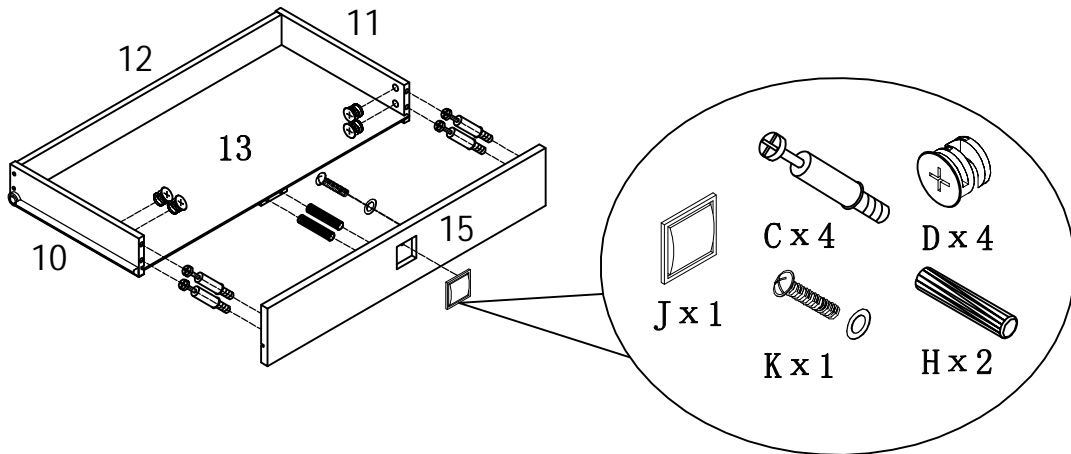
STEP1

STEP2



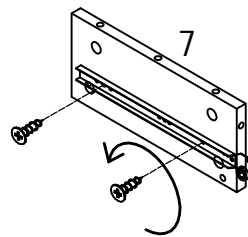
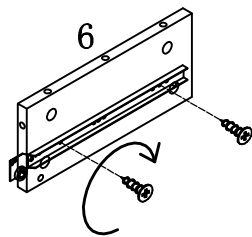
# ASSEMBLY INSTRUCTION

ITEM#:K16036 K16031



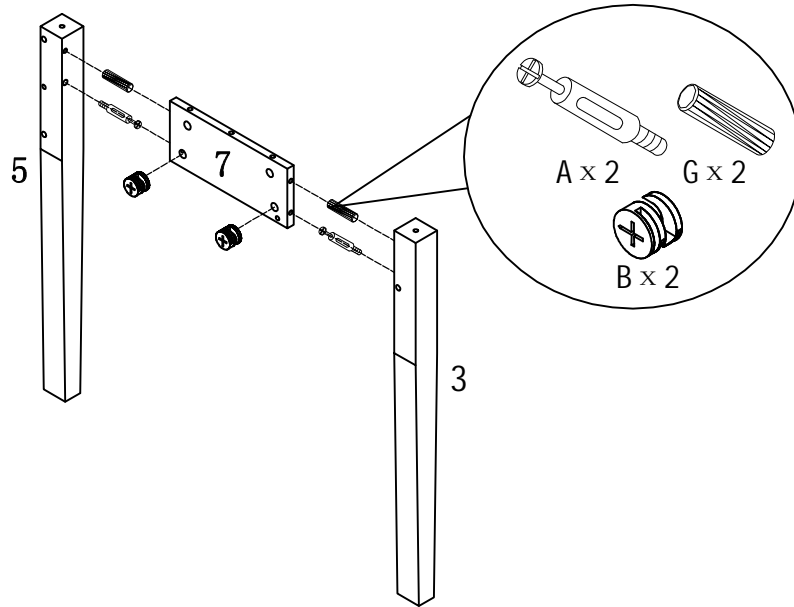
STEP3

STEP4



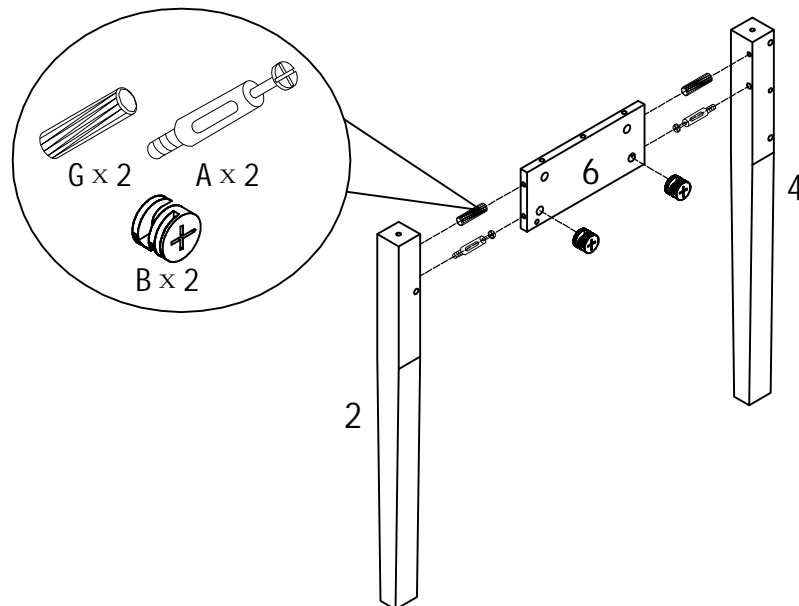
# ASSEMBLY INSTRUCTION

ITEM#:K16036 K16031



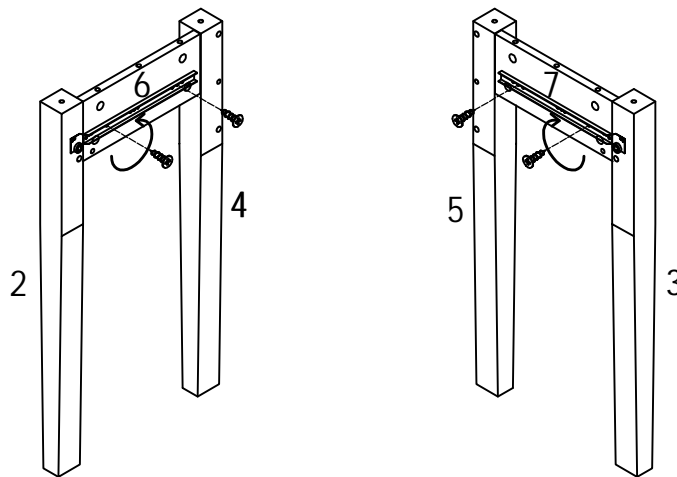
STEP5

STEP6



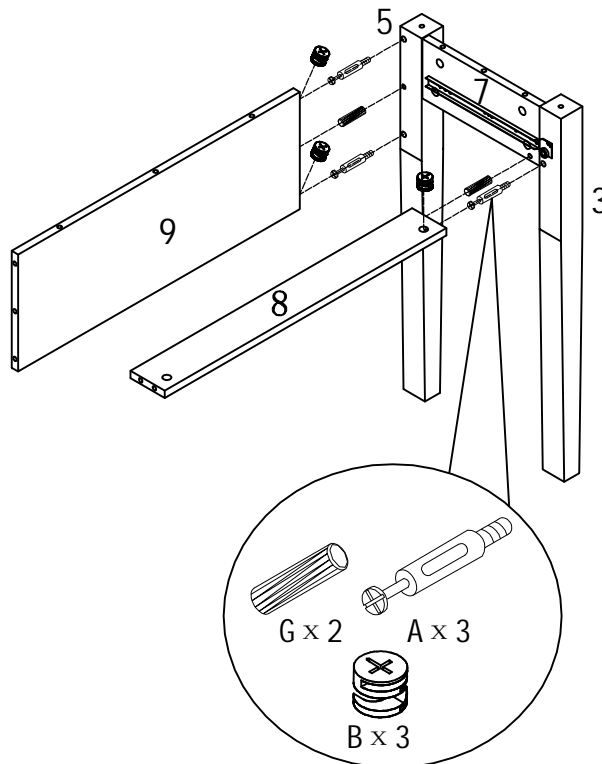
# ASSEMBLY INSTRUCTION

ITEM#:K16036 K16031



STEP7

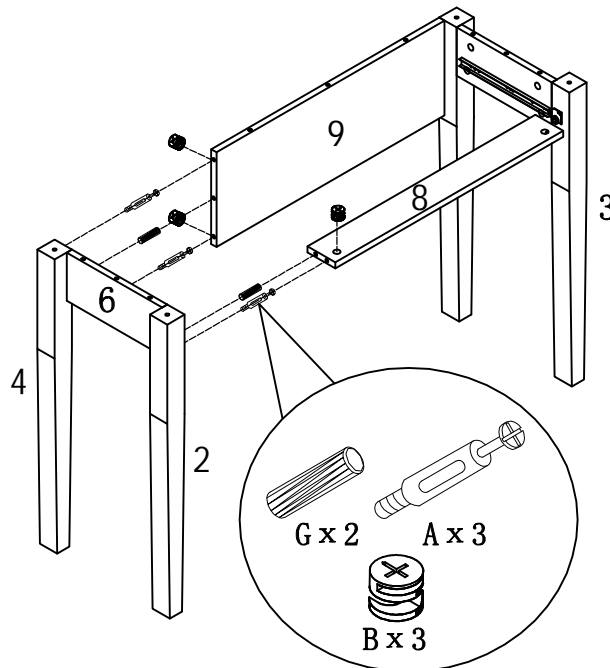
STEP8





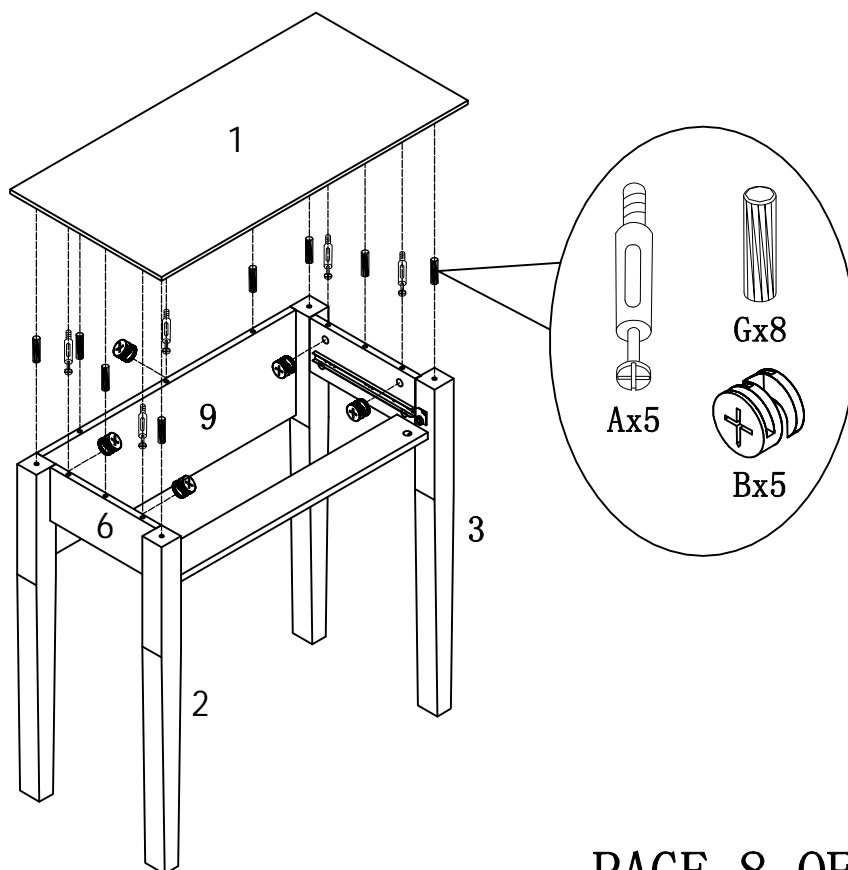
# ASSEMBLY INSTRUCTION

ITEM#:K16036 K16031



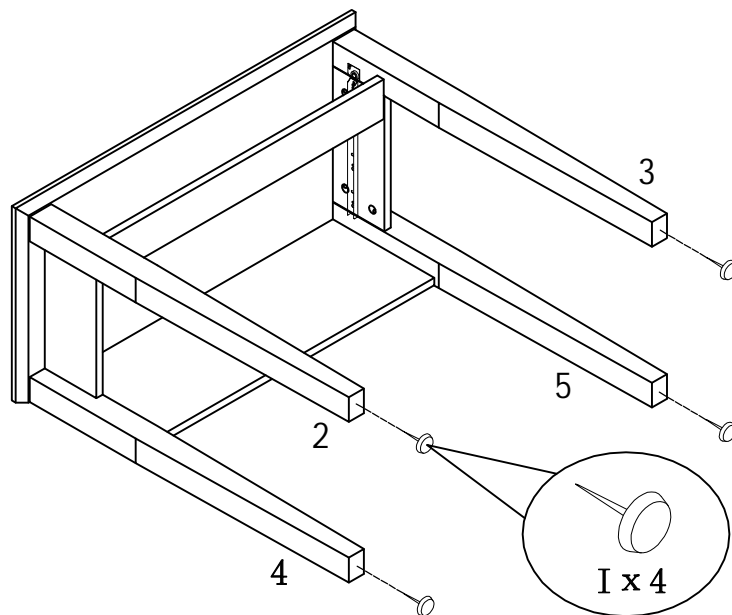
STEP9

STEP10



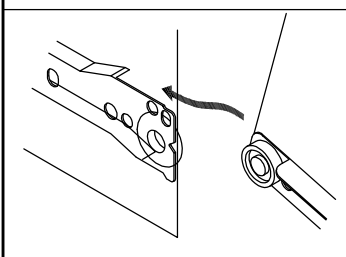
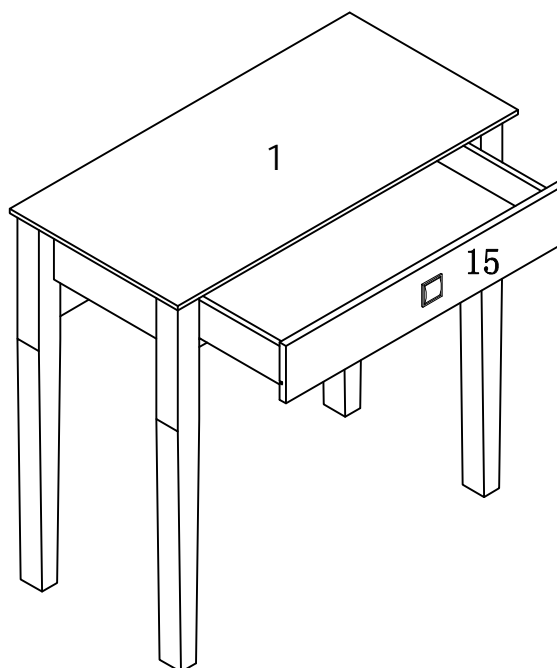
# ASSEMBLY INSTRUCTION

ITEM#:K16036 K16031



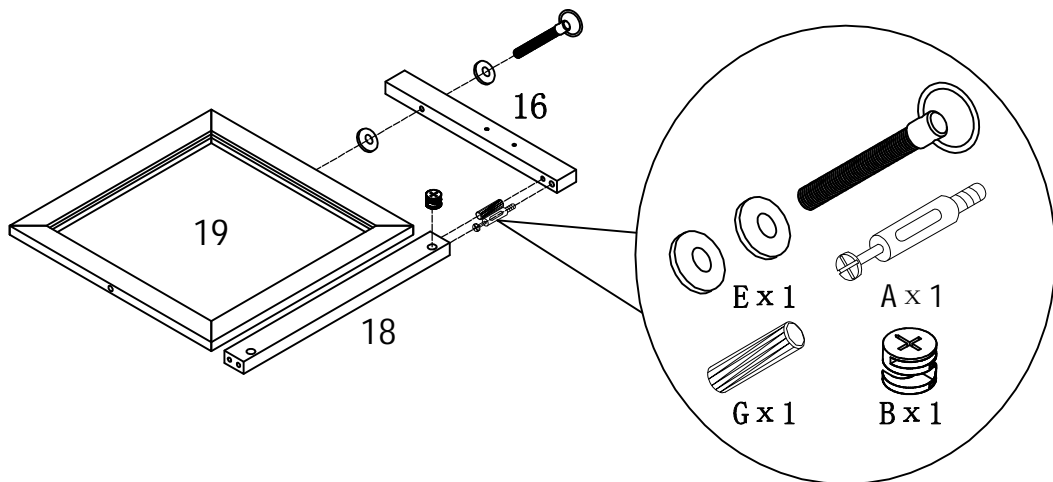
STEP11

STEP12



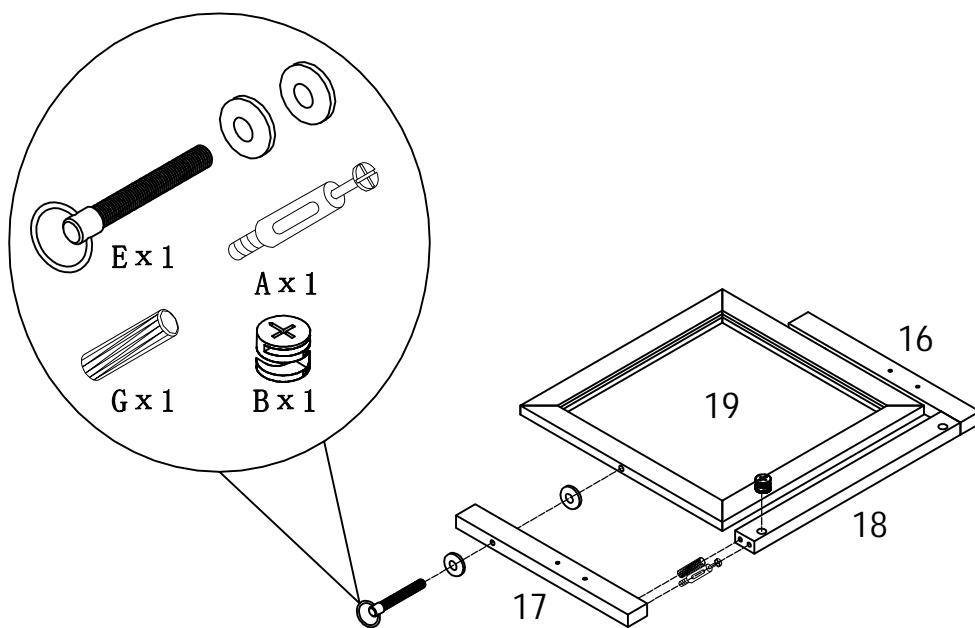
# ASSEMBLY INSTRUCTION

ITEM#:K16036 K16031



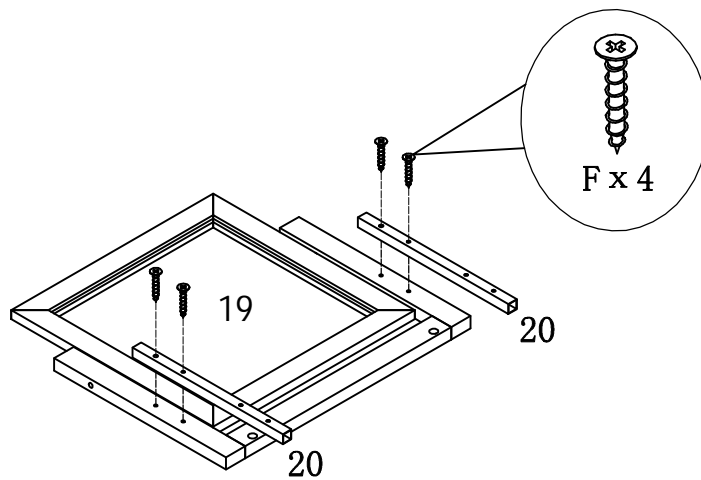
STEP13

STEP14



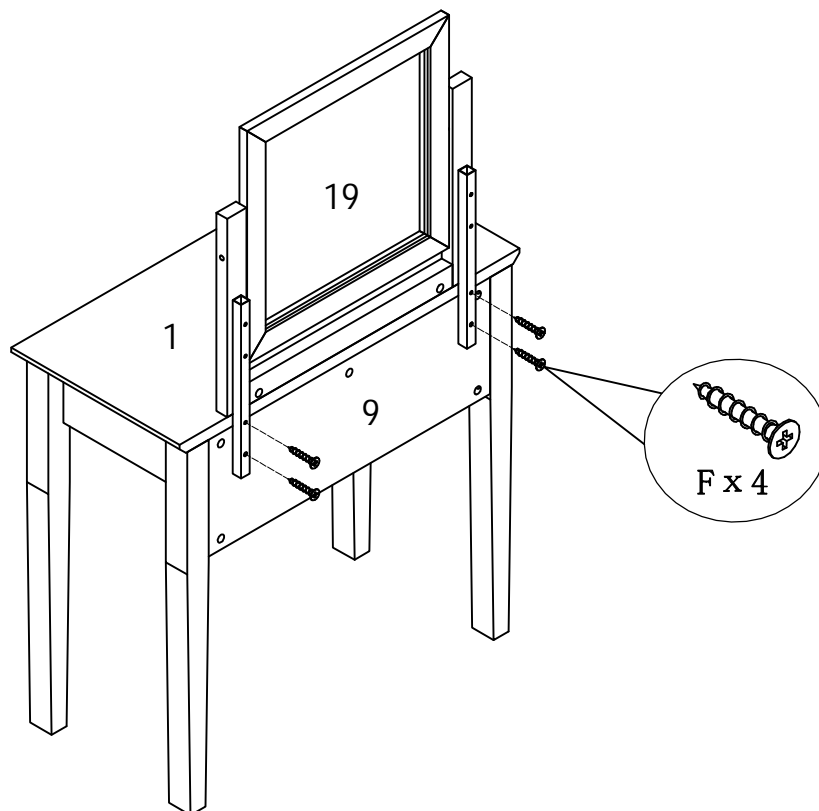
# ASSEMBLY INSTRUCTION

ITEM#:K16036 K16031



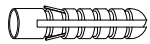
STEP15

STEP16

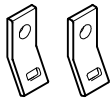


# ANTI-TIPPING STRAP INSTRUCTION

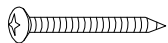
## HARDWARE (INCLUDED) :



DRYWALL ANCHOR  $\phi 8 \times 40$  X 1PC



METAL BRACKETS  $12 \times 12 \times 1$  X 2PCS



DRYWALL SCREW  $\phi 5 \times 40$  X 1PC

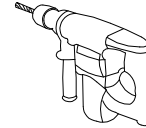


STRAP  $197 \times 5 \times 1$  X 1PC



FLATHEAD SCREW  $\phi 4 \times 25$  X 1PC

## TOOLS NEEDED ( NOT INCLUDED) :



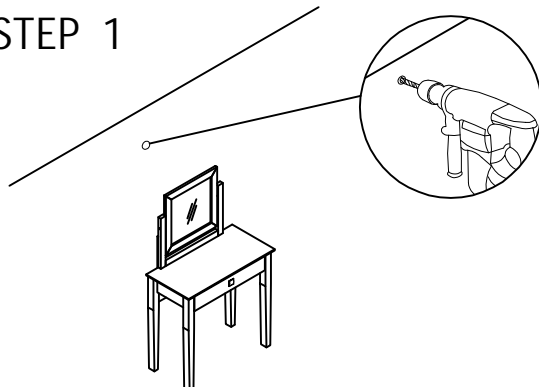
DRILL & DRILL BIT



LIGHT HAMMER

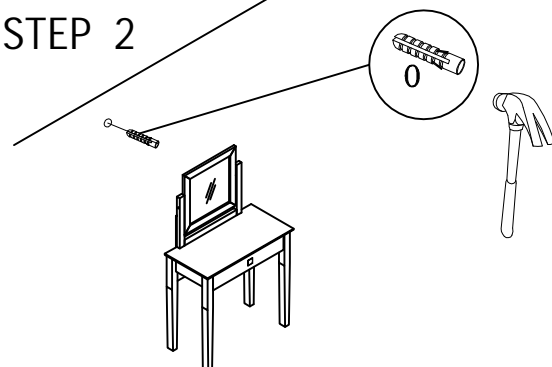
Note: Hardware included only compatible with standard drywalls.

### STEP 1



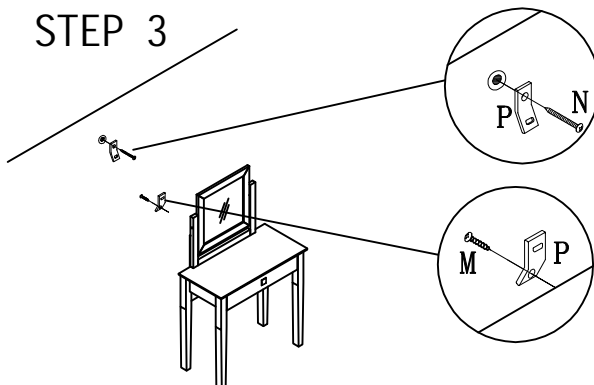
1. Find spot on wall 1" below top of item.
2. Using a drill bit slightly thinner than anchor, drill hole into drywall.

### STEP 2



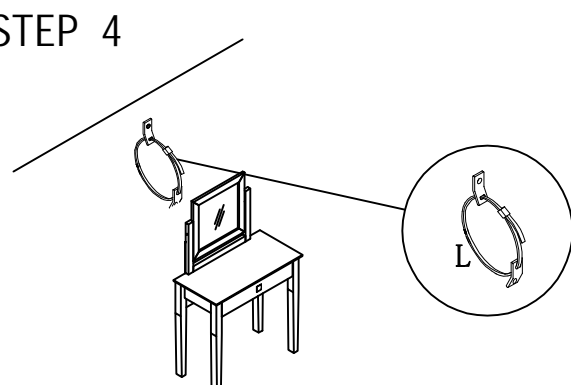
1. Use a light hammer to tap anchor into hole.
2. Anchor should fit snugly. If hole is too small, drill again to increase hole size. Do not force anchor into wall.

### STEP 3



1. Insert drywall screw into metal bracket and into drywall anchor.
2. Insert flathead screw into second metal bracket and into back of item along top edge.

### STEP 4



1. Insert strap thru bracket attached to wall, then thru bracket on item, and into head of strap.
  2. pull lightly til strap stops.
- Assembly is complete.