

ASSEMBLY INSTRUCTION

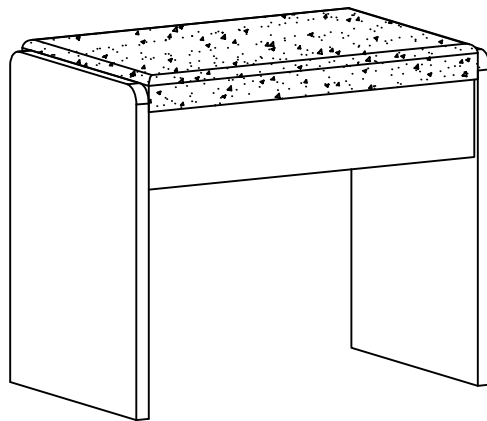
PLEASE READ BEFORE ASSEMBLING!

Tip #1: Make sure you've taken all the pieces and hardware out of its packaging before discarding the box.

Tip #2: Using page 2 and/or page 3 of instruction manual make sure all pieces and hardware are accounted for.

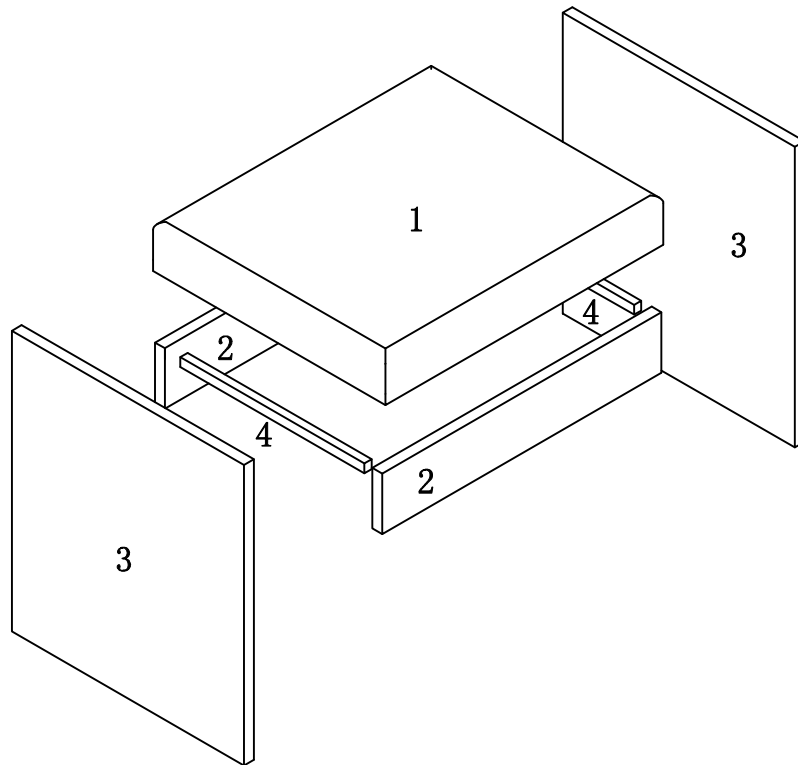
Tip #3: Read manual before assembling, it helps!

ITEM#:K16035 K16038



PARTS IDENTIFICATION

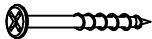
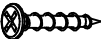
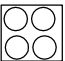

ITEM#:K16035 K16038



- | | |
|-----|------|
| (1) | 1pc |
| (2) | 2pcs |
| (3) | 2pcs |
| (4) | 2pcs |

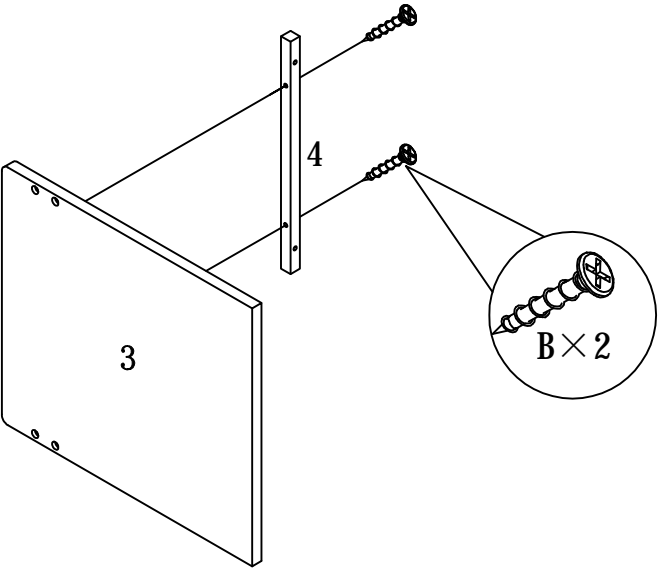
HARDWARE IDENTIFICATION

ITEM#:K16035 K16038

A		$\phi 4.2 \times 50$	8pcs
B		$\phi 4 \times 25$	8pcs
C		$\Phi 13$	8pcs
D		$\Phi 16$	4pcs

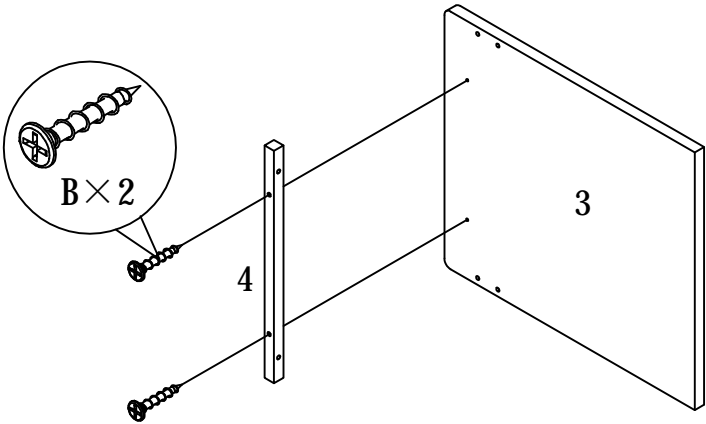
ASSEMBLY INSTRUCTION

ITEM#:K16035 K16038



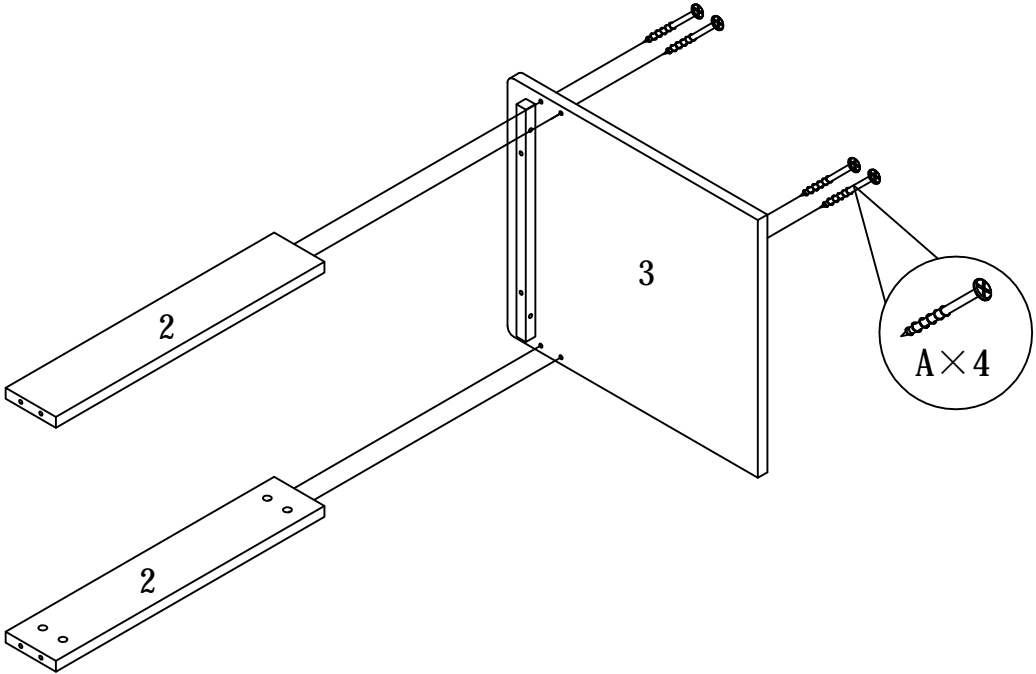
STEP 1

STEP 2



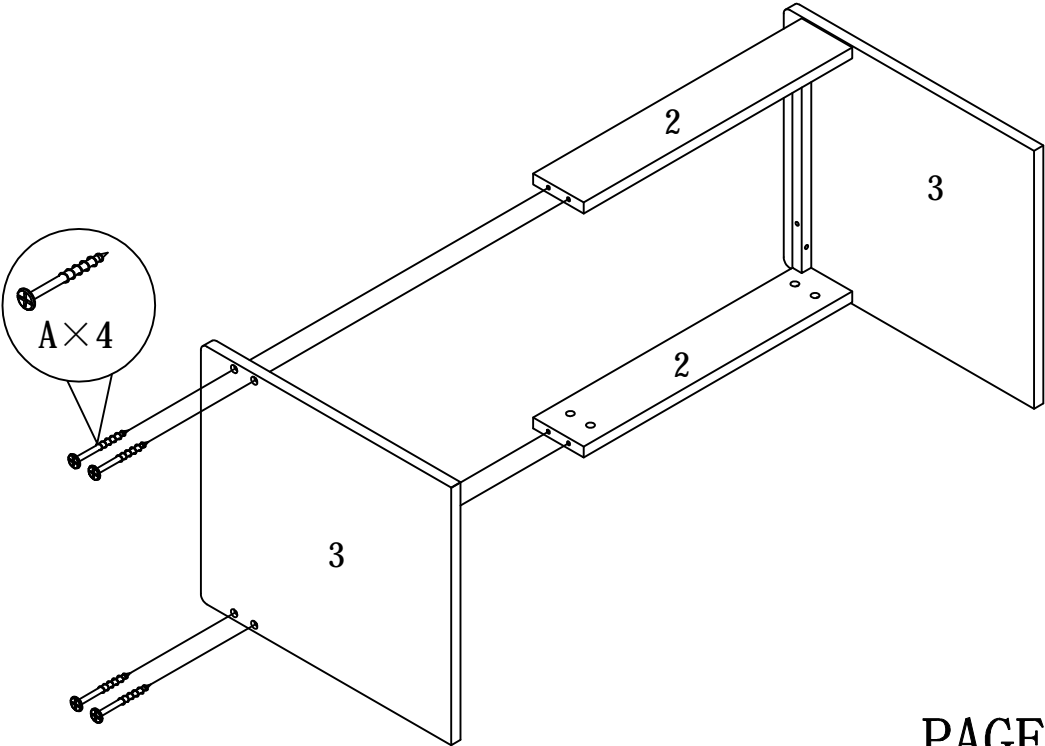
ASSEMBLY INSTRUCTION

ITEM#:K16035 K16038



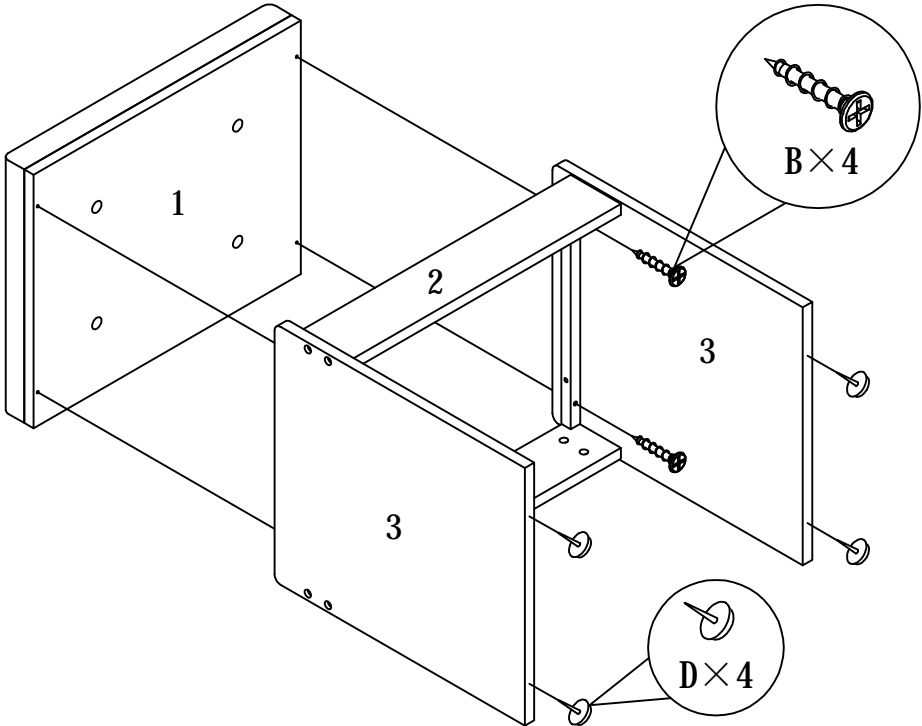
STEP3

STEP4



ASSEMBLY INSTRUCTION

ITEM#:K16035 K16038



STEP5

STEP6

