

ASSEMBLY INSTRUCTION

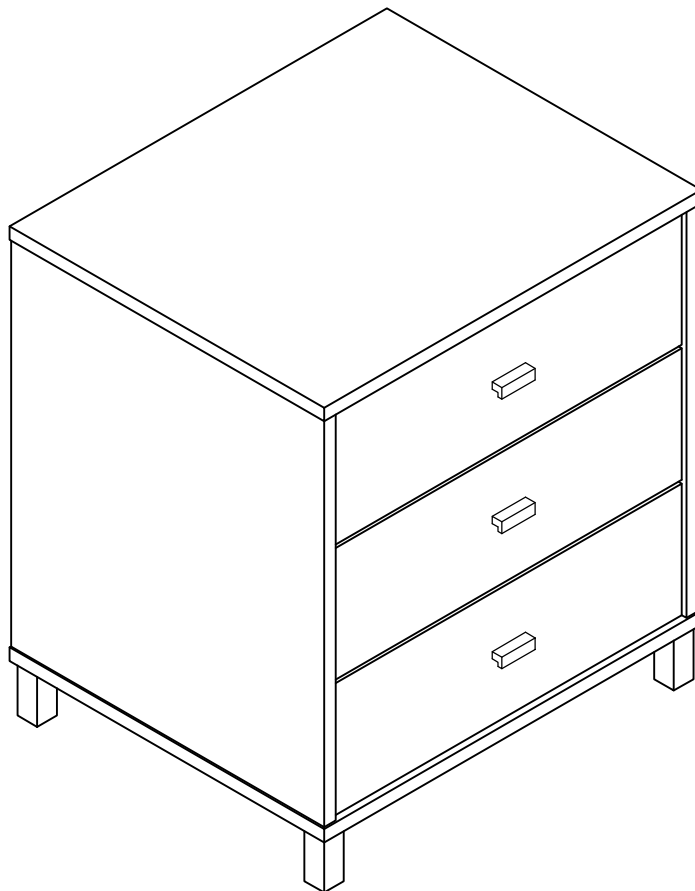
PLEASE READ BEFORE ASSEMBLING!

Tip #1: Make sure you've taken all the pieces and hardware out of its packaging before discarding the box.

Tip #2: Using page 2 and/or page 3 of instruction manual make sure all pieces and hardware are accounted for.

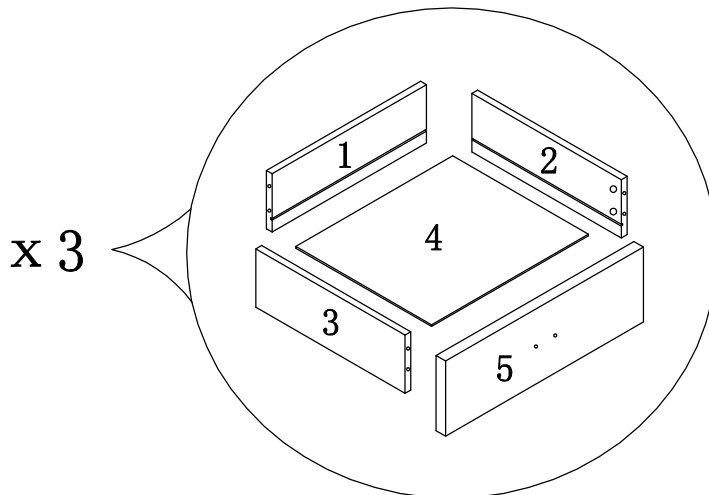
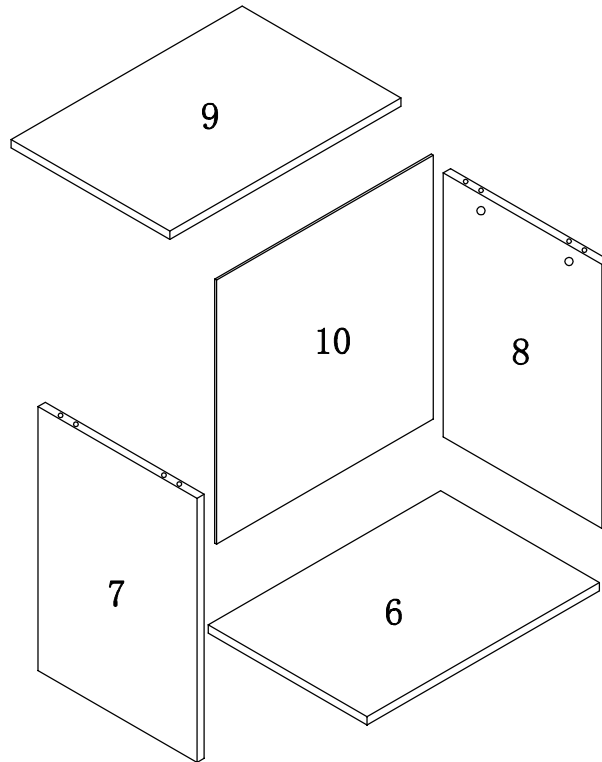
Tip #3: Read manual before assembling, it helps!

ITEM#: CB313BE3/CB313BLK3/CB313CB3/
CB313LCH3/CB313RC/CB313WHT3/CB313MHG3



PARTS IDENTIFICATION

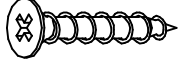

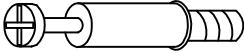
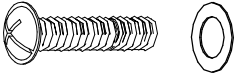
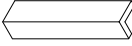



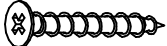


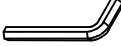


ITEM#: CB313BE3/CB313BLK3/CB313CB3/
CB313LCH3/CB313RC/CB313WHT3/CB313MHG3



(1)	3pcs	(6)	1pc
(2)	3pcs	(7)	1pc
(3)	3pcs	(8)	1pc
(4)	3pcs	(9)	1pc
(5)	3pcs	(10)	1pc

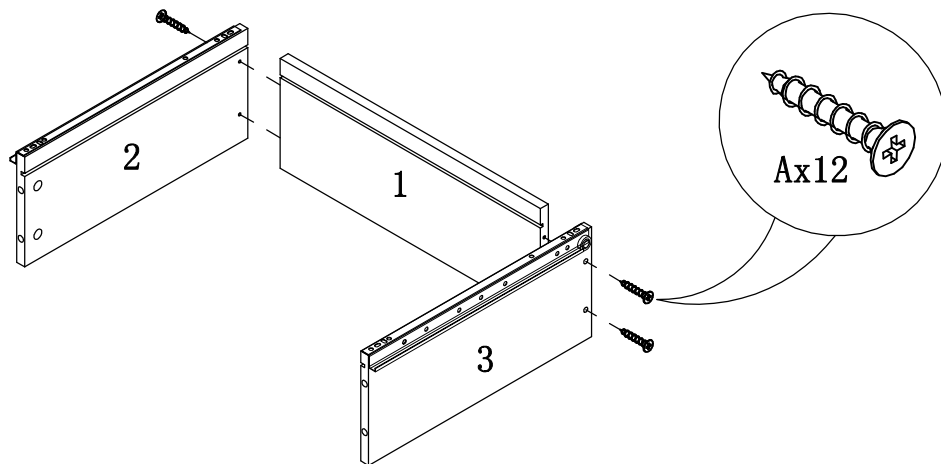
HARDWARE IDENTIFICATION

ITEM#: CB313BE3/CB313BLK3/CB313CB3/
CB313LCH3/CB313RC/CB313WHT3/CB313MHG3

A		$\phi 4 \times 30$	12pcs
B		$\phi 12$	12pcs
C		L20	12pcs
D		M4 \times 20	6pcs
E		32#	3pcs
F		$\phi 15$	4pcs
G		L29	4pcs
H			25pcs
I		$\phi 4 \times 35$	4pcs
J		25 \times 25 \times 60 (H)	4pcs
K		M8 \times 25	4pcs
L		M5	1pc
M		$\phi 8 \times 25$	8pcs
N		Glue: For securing please apply to wood dowel first before inserting into panel	1pc

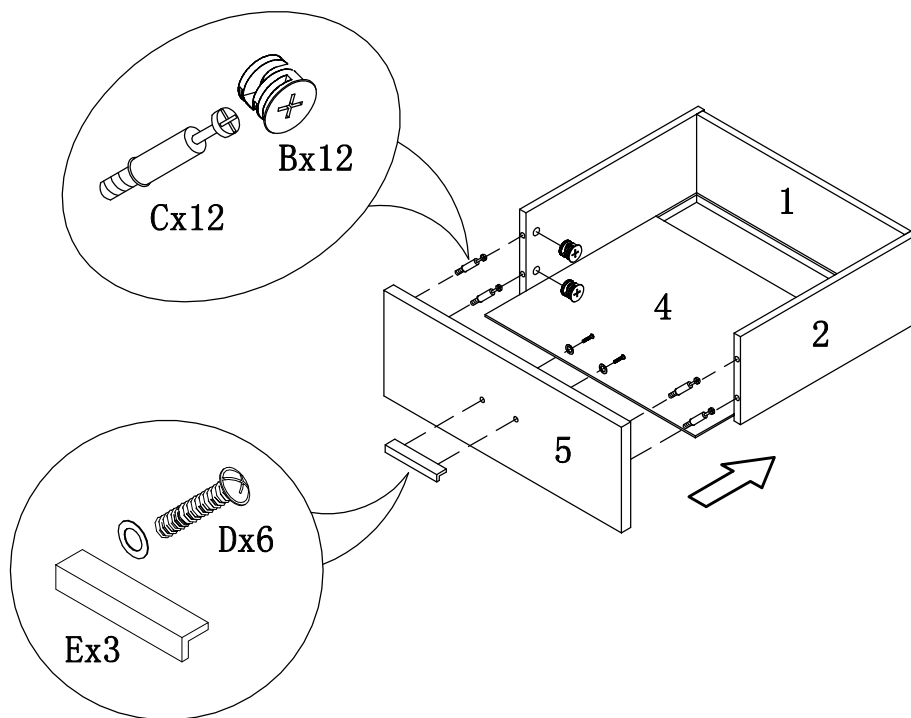
ASSEMBLY INSTRUCTION

ITEM#: CB313BE3/CB313BLK3/CB313CB3/
CB313LCH3/CB313RC/CB313WHT3/CB313MHG3



STEP1

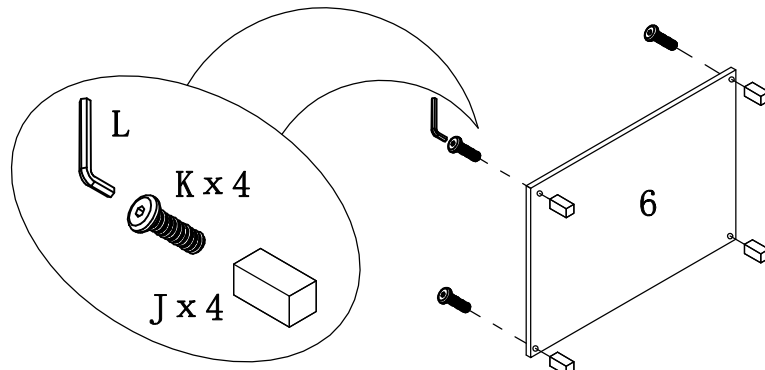
STEP2



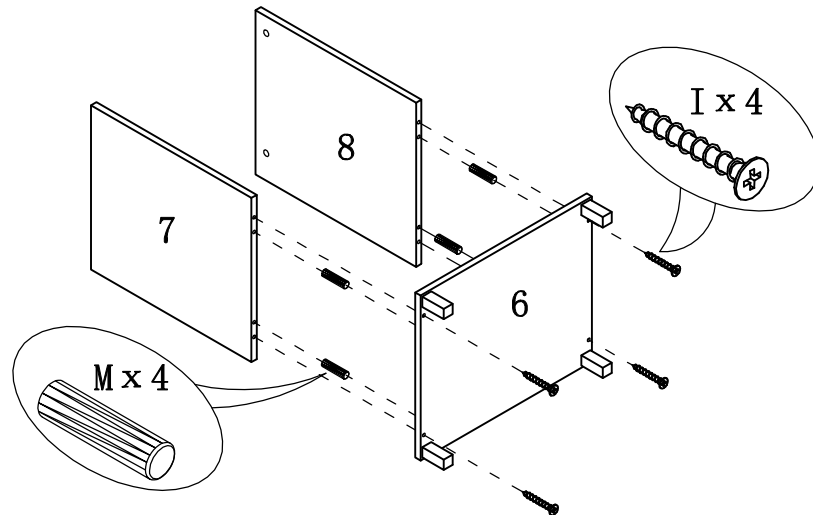
ASSEMBLY INSTRUCTION

ITEM#: CB313BE3/CB313BLK3/CB313CB3/
CB313LCH3/CB313RC/CB313WHT3/CB313MHG3

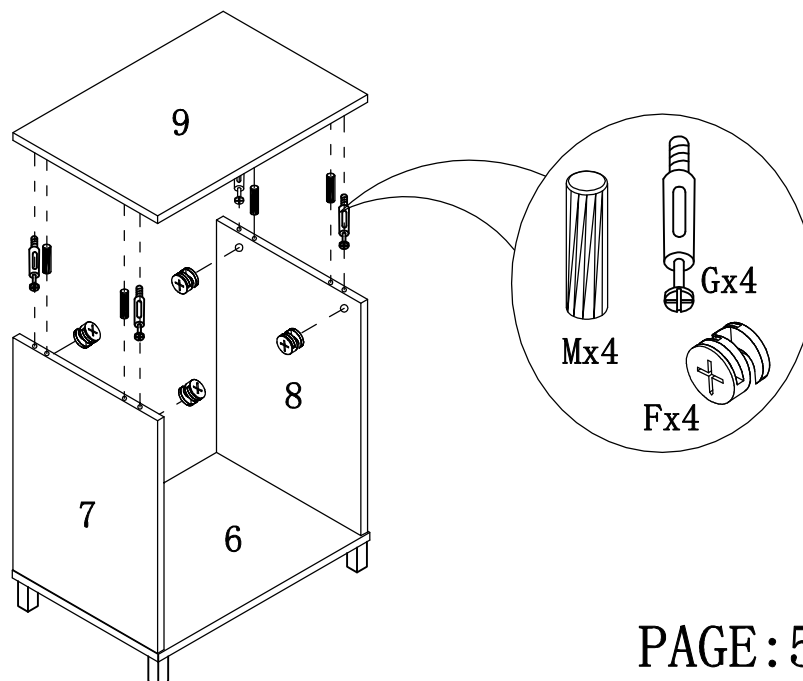
STEP3



STEP4

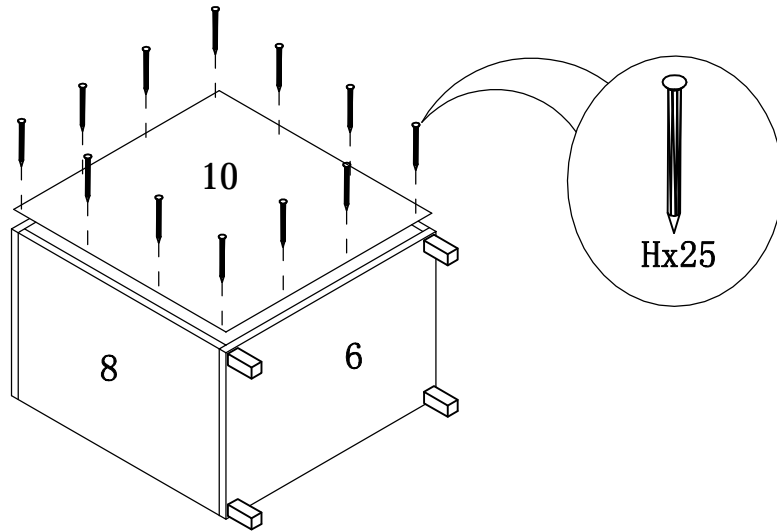


STEP5



ASSEMBLY INSTRUCTION

ITEM#: CB313BE3/CB313BLK3/CB313CB3/
CB313LCH3/CB313RC/CB313WHT3/CB313MHG3



STEP6

STEP7

