

ASSEMBLY INSTRUCTION

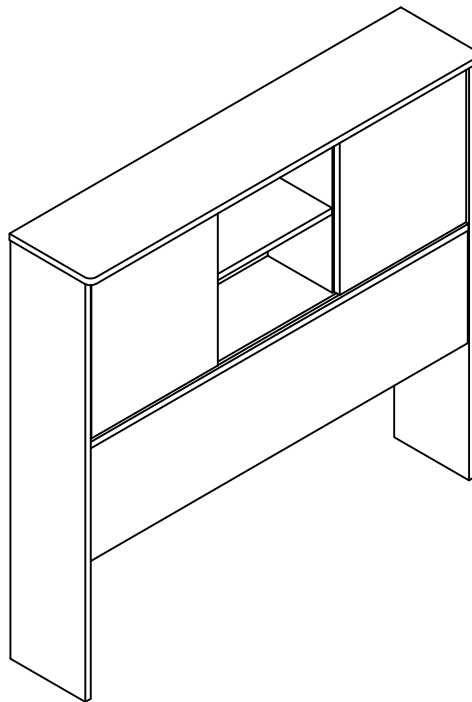
PLEASE READ BEFORE ASSEMBLING!

Tip #1: Make sure you've taken all the pieces and hardware out of its packaging before discarding the box.

Tip #2: Using page 2 and/or page 3 of instruction manual make sure all pieces and hardware are accounted for.

Tip #3: Read manual before assembling, it helps!

ITEM#: Y4901T Y5001T Y5101T Y5201T Y5301T
Y5001F Y5101F Y5201F Y5301F

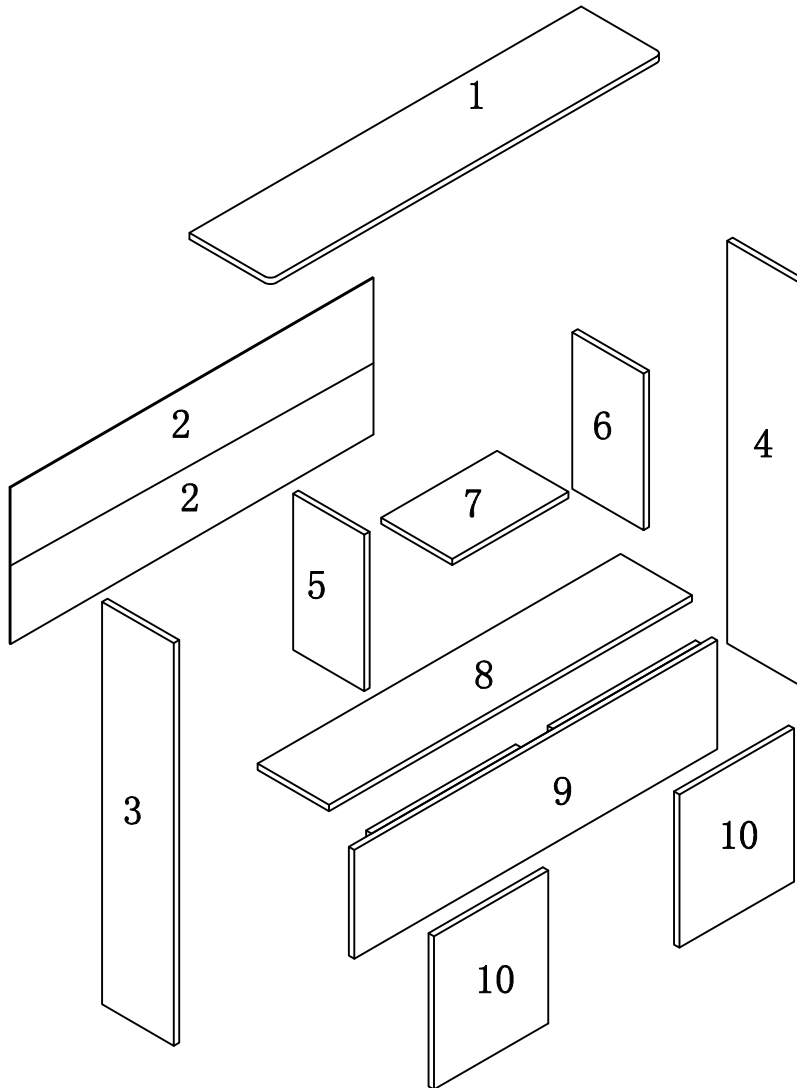


Need some help?
Scan here for
assembly video.



PARTS IDENTIFICATION

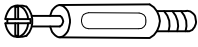


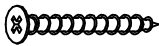
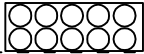



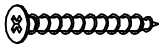

ITEM#:Y4901T Y5001T Y5101T Y5201T Y5301T
Y5001F Y5101F Y5201F Y5301F



(1)	1pc	(6)	1pc
(2)	2pcs	(7)	1pc
(3)	1pc	(8)	1pc
(4)	1pc	(9)	1pc
(5)	1pc	(10)	2pcs

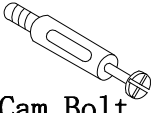

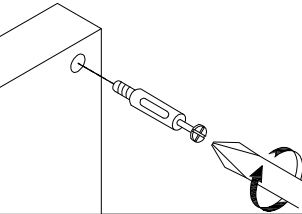
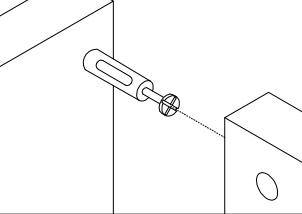
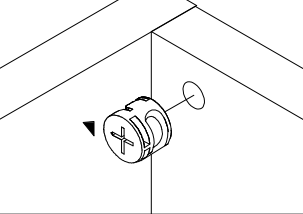
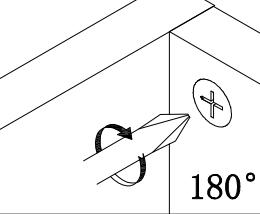
HARDWARE IDENTIFICATION

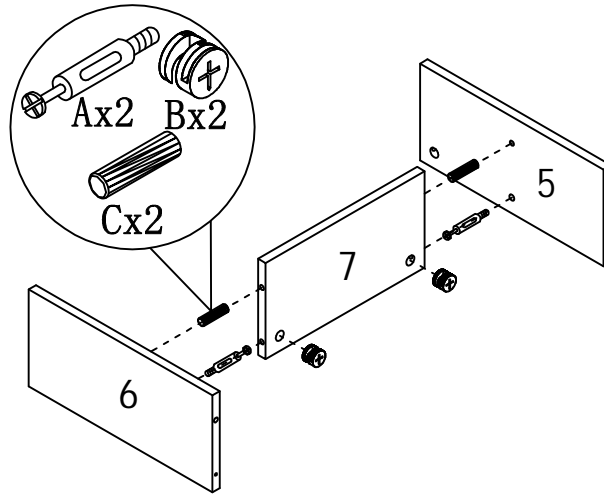
ITEM#: Y4901T Y5001T Y5101T Y5201T Y5301T
 Y5001F Y5101F Y5201F Y5301F

A		L29	16pcs
B		ϕ 15	16pcs
C		ϕ 8 x 25	8pcs
D		ϕ 4 x 30	4pcs
E		ϕ 22	10pcs
F			30pcs
G			4pcs
H		ϕ 3.5 x 14	32pcs
I		ϕ 4 x 35	2pcs
J		Glue: For securing please apply to wood dowel first before inserting into panel	1pc

ASSEMBLY INSTRUCTION

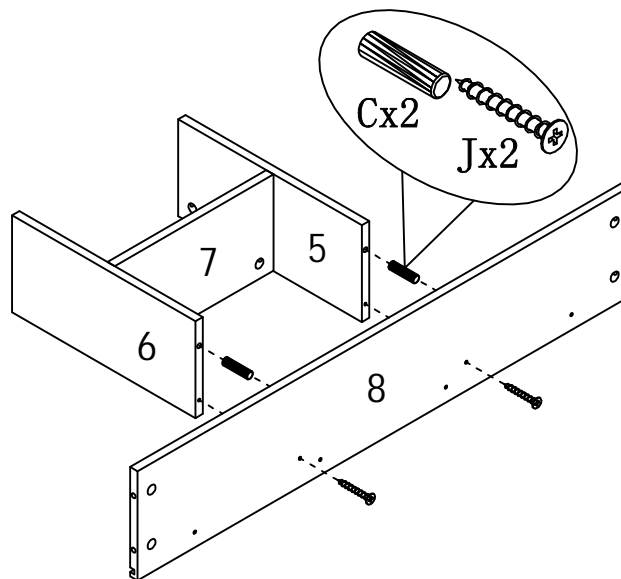
ITEM#: Y4901T Y5001T Y5101T Y5201T Y5301T
 Y5001F Y5101F Y5201F Y5301F

<p>HOW TO</p>  <p>Cam Bolt</p>  <p>Cam Lock</p>	<p style="text-align: center;">1</p>  <p>1. Screw Cam Bolt into panel.</p>	<p style="text-align: center;">2</p>  <p>2. Insert Cam Bolt into bolt hole of joining panel.</p>	<p style="text-align: center;">3</p>  <p>3. Insert Cam Lock. arrow facing bolt.</p>	<p style="text-align: center;">4</p>  <p>4. Gently turn Cam Lock clockwise to lock position. 180°</p>
--	---	---	---	--



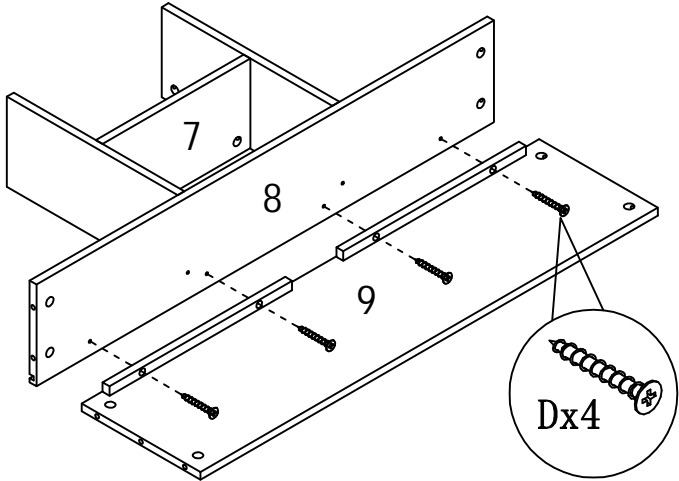
STEP 1

STEP 2



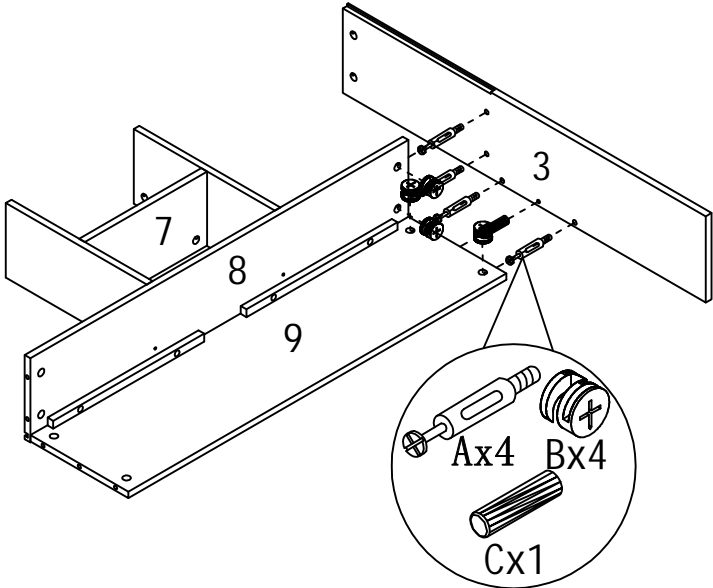
ASSEMBLY INSTRUCTION

ITEM#: Y4901T Y5001T Y5101T Y5201T Y5301T
Y5001F Y5101F Y5201F Y5301F



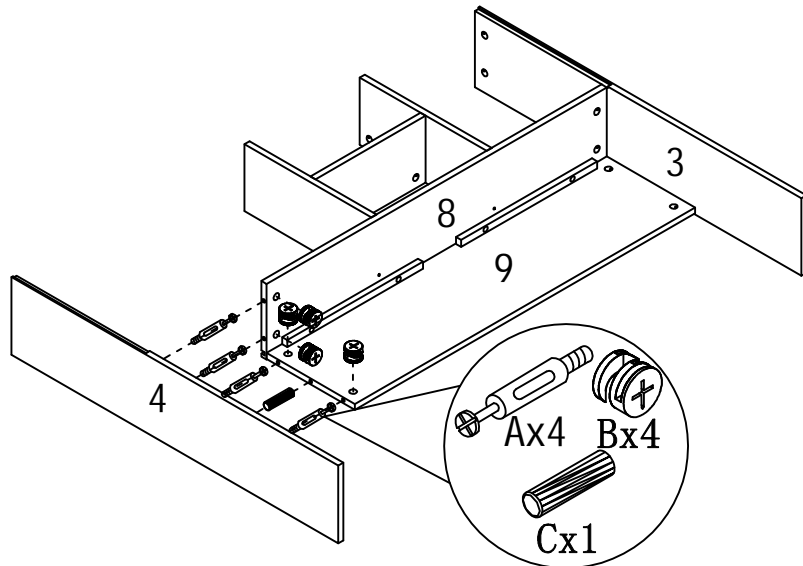
STEP3

STEP4



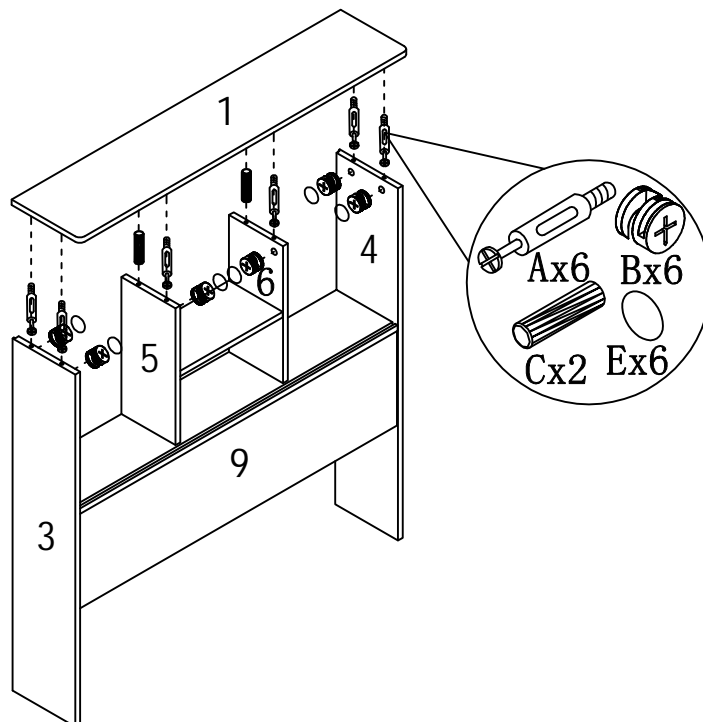
ASSEMBLY INSTRUCTION

ITEM#:Y4901T Y5001T Y5101T Y5201T Y5301T
Y5001F Y5101F Y5201F Y5301F



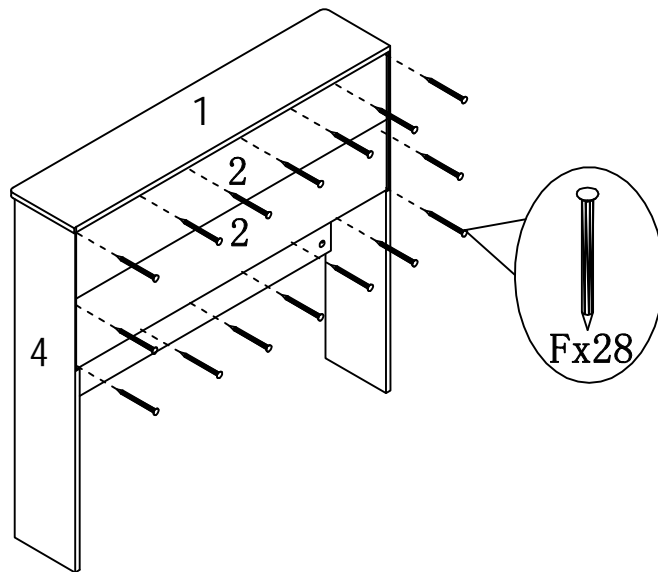
STEP5

STEP6



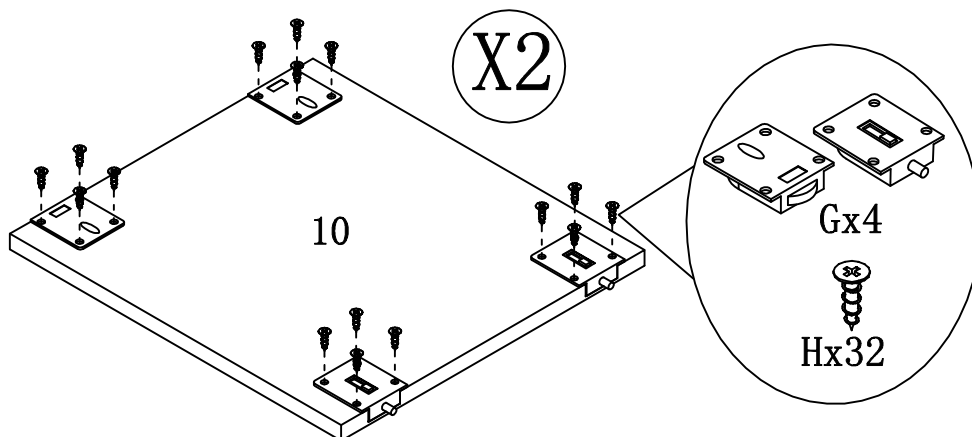
ASSEMBLY INSTRUCTION

ITEM#: Y4901T Y5001T Y5101T Y5201T Y5301T
Y5001F Y5101F Y5201F Y5301F



STEP7

STEP8



ASSEMBLY INSTRUCTION

ITEM#: Y4901T Y5001T Y5101T Y5201T Y5301T
Y5001F Y5101F Y5201F Y5301F

STEP 9

