

ASSEMBLY INSTRUCTION

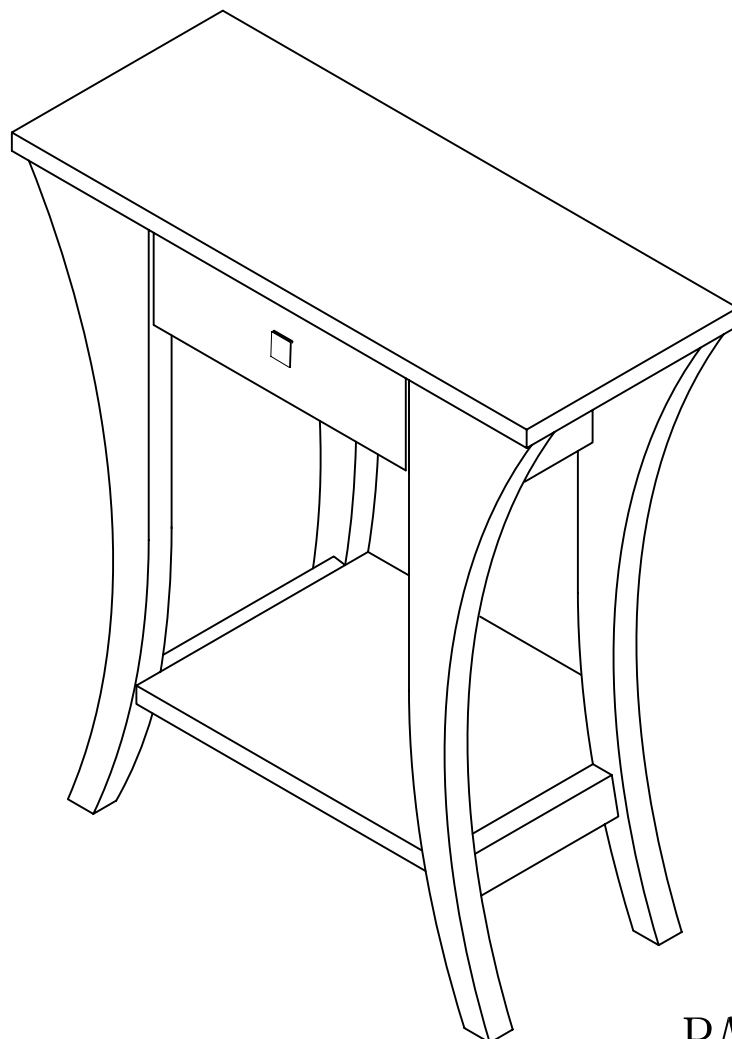
PLEASE READ BEFORE ASSEMBLING!

Tip #1: Make sure you've taken all the pieces and hardware out of its packaging before discarding the box.

Tip #2: Using page 2 and/or page 3 of instruction manual make sure all pieces and hardware are accounted for.

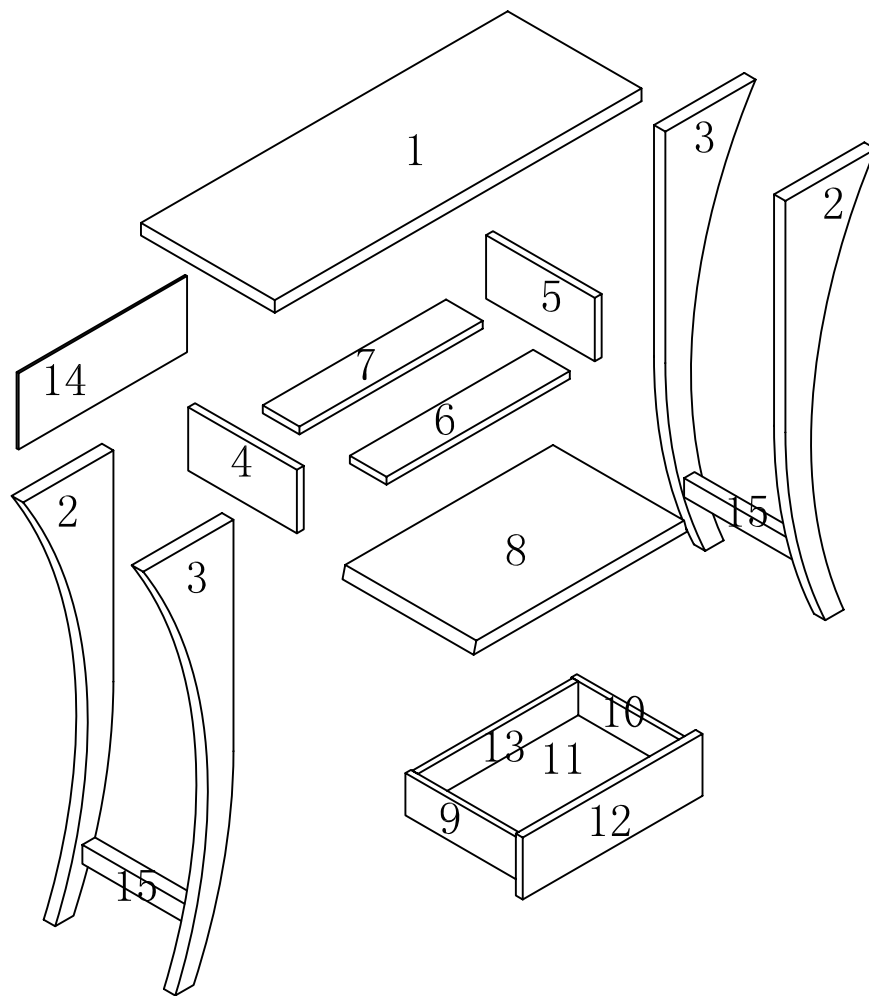
Tip #3: Read manual before assembling, it helps!

ITEM#: 13709



PARTS IDENTIFICATION









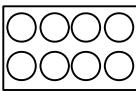


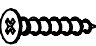
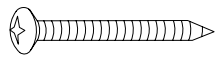
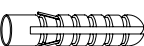

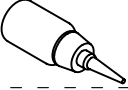
ITEM#: 13709



(1)	1pc	(9)	1pc
(2)	2pcs	(10)	1pc
(3)	2pcs	(11)	1pc
(4)	1pc	(12)	1pc
(5)	1pc	(13)	1pc
(6)	1pc	(14)	1pc
(7)	1pc	(15)	2pcs
(8)	1pc		

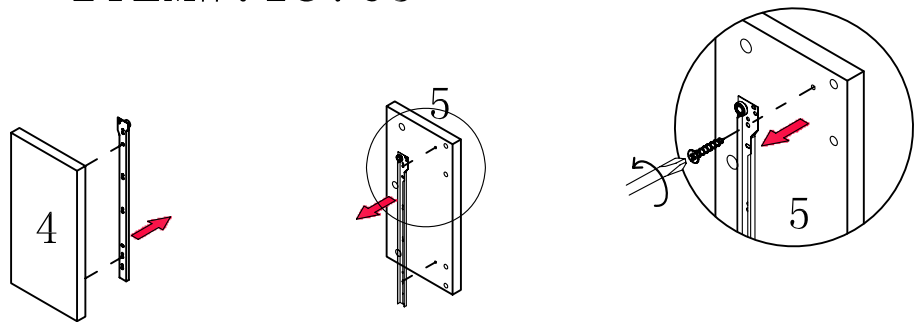
HARDWARE IDENTIFICATION

ITEM#: 13709

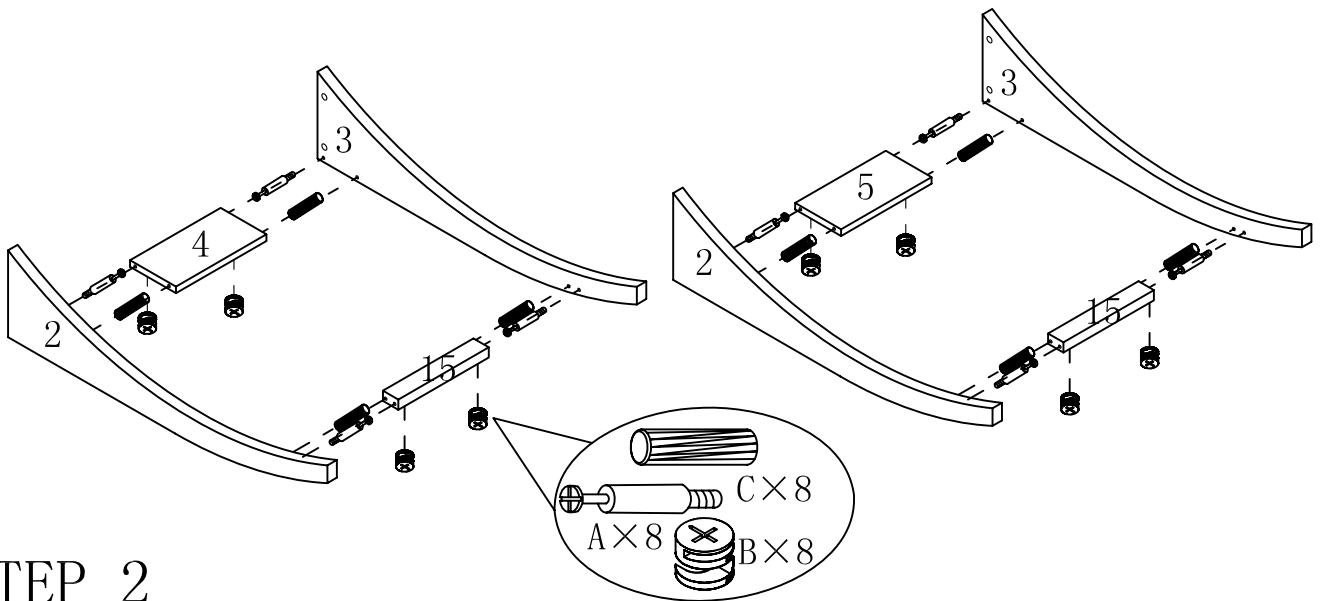
A		L29	26pcs
B		∅15	26pcs
C		∅8 × 25	22pcs
D		∅4 × 30	4pcs
E		∅4 × 10	1set
F		48 × 48 × 14	1pc
G		L20	4pcs
H		∅12	4pcs
I		∅20	8pcs
J		Z1016	20pcs
K			1pc
L		∅4 × 25	1pc
M		∅5 × 40	1pc
N		∅8 × 40	1pc
O		∅16	4pcs
P		Glue: For securing please apply to wood dowel first before inserting into panel	1pc

ASSEMBLY INSTRUCTION

ITEM#: 13709

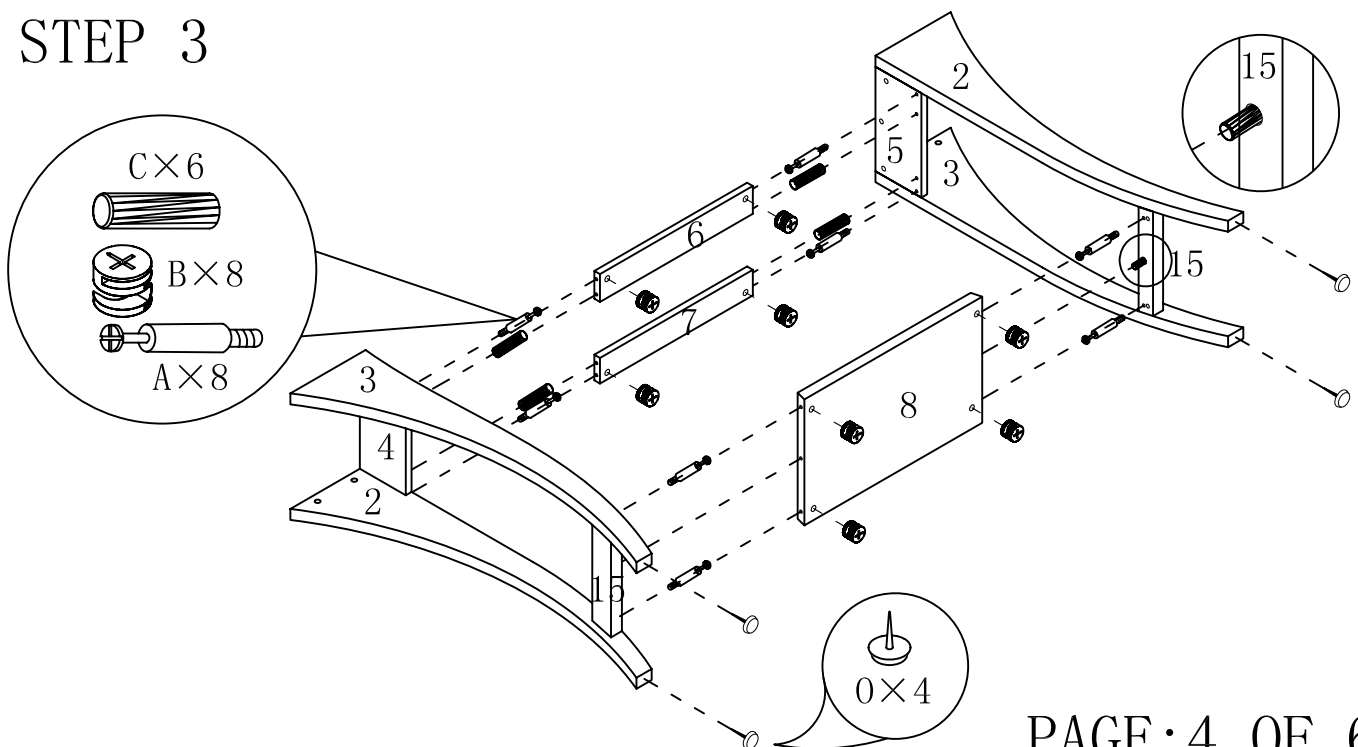


STEP 1



STEP 2

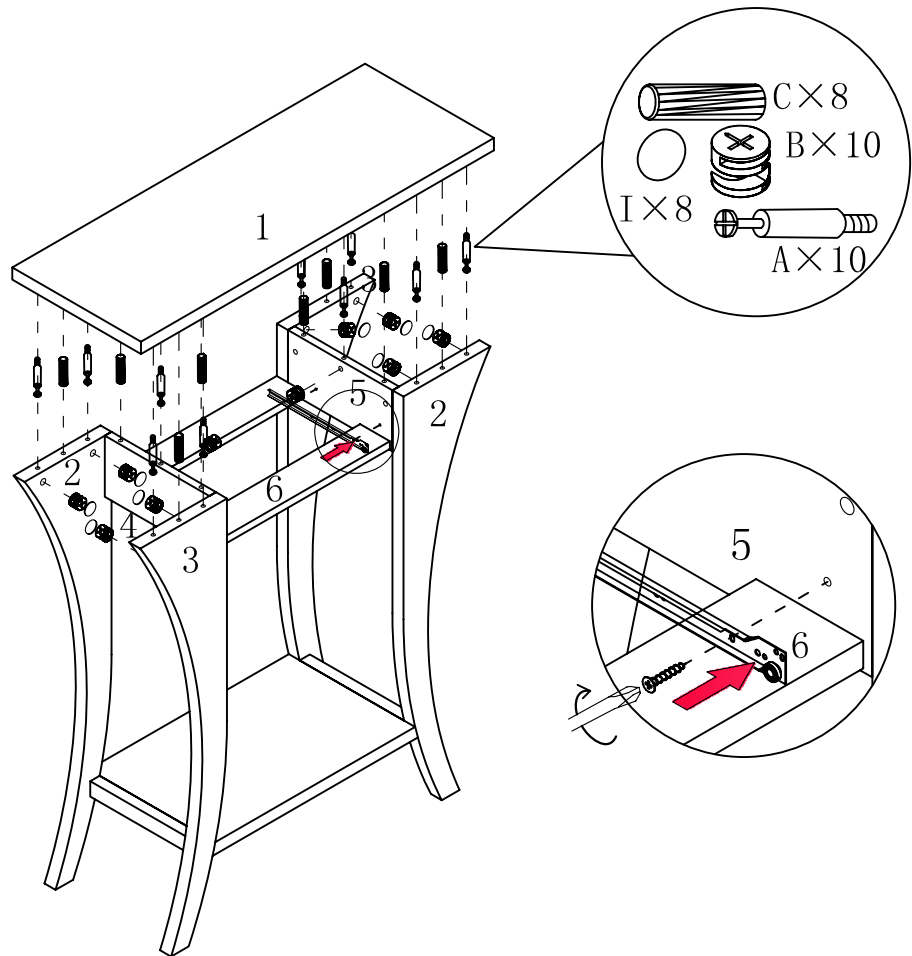
STEP 3



PAGE: 4 OF 6

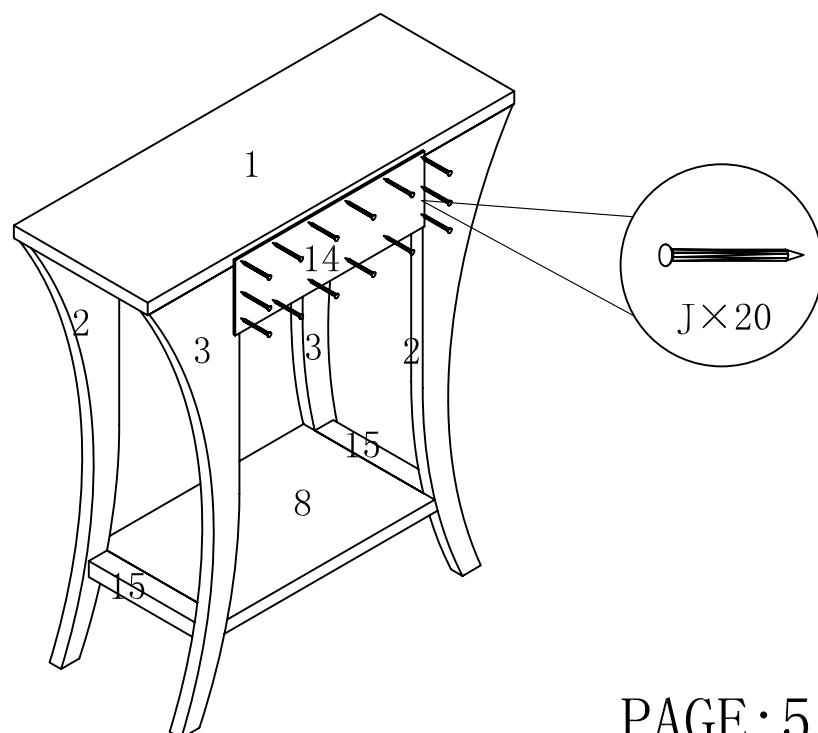
ASSEMBLY INSTRUCTION

ITEM#: 13709



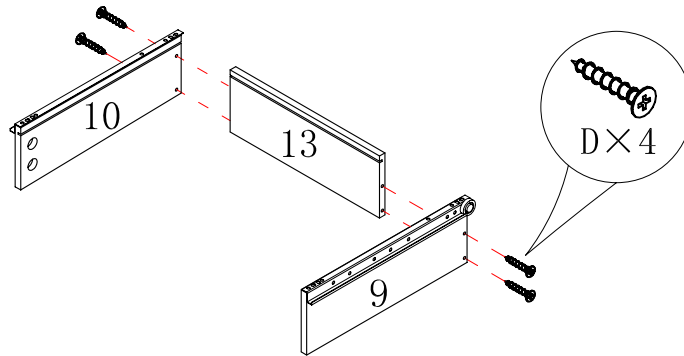
STEP 4

STEP 5



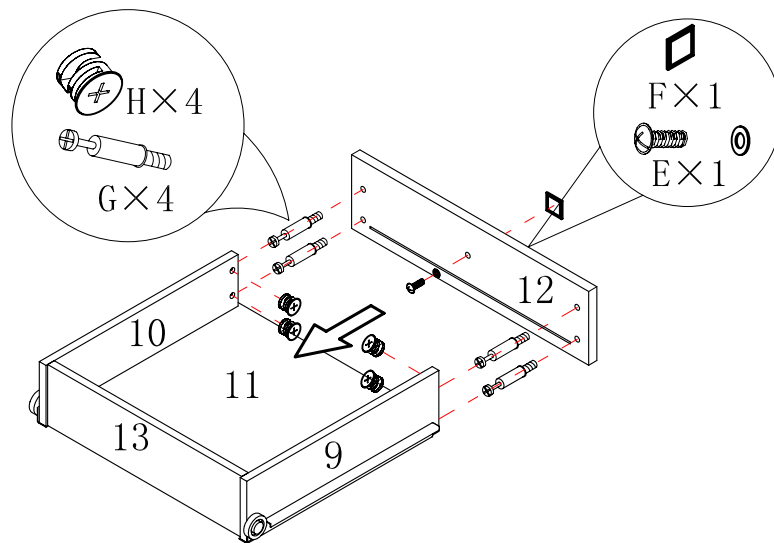
ASSEMBLY INSTRUCTION

ITEM#: 13709



STEP 6

STEP 7



STEP 8

