

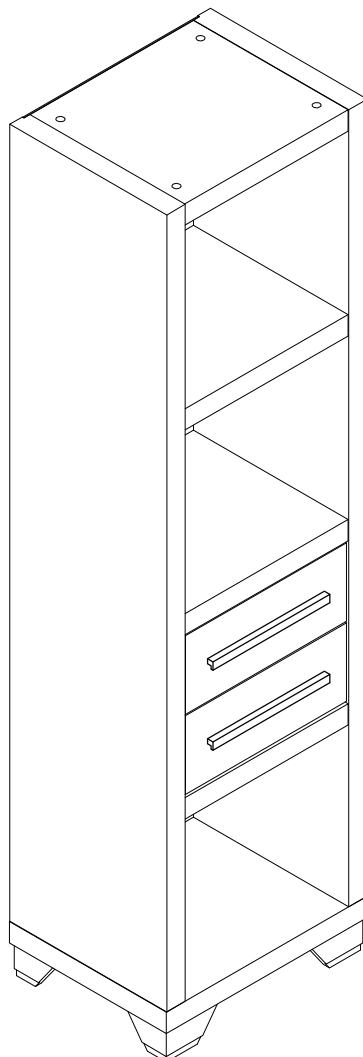
ASSEMBLY INSTRUCTION

PLEASE READ BEFORE ASSEMBLING!

Tip #1: Make sure you've taken all the pieces and hardware out of its packaging before discarding the box. Assembly on top of flattened box/blanket is recommended.

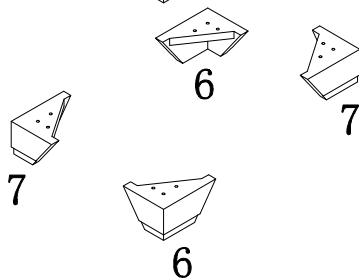
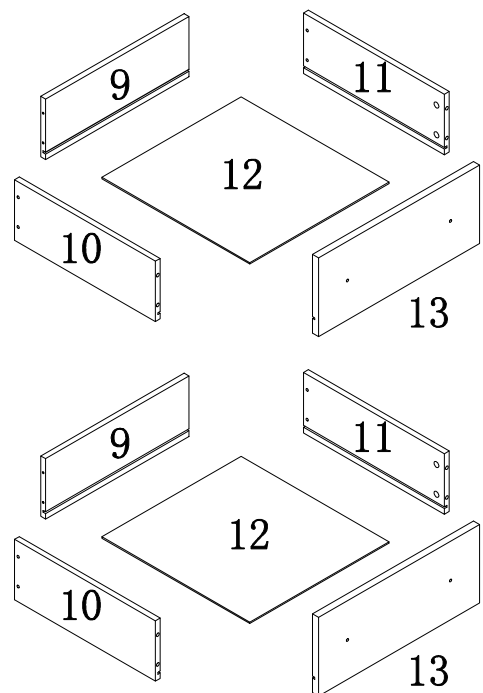
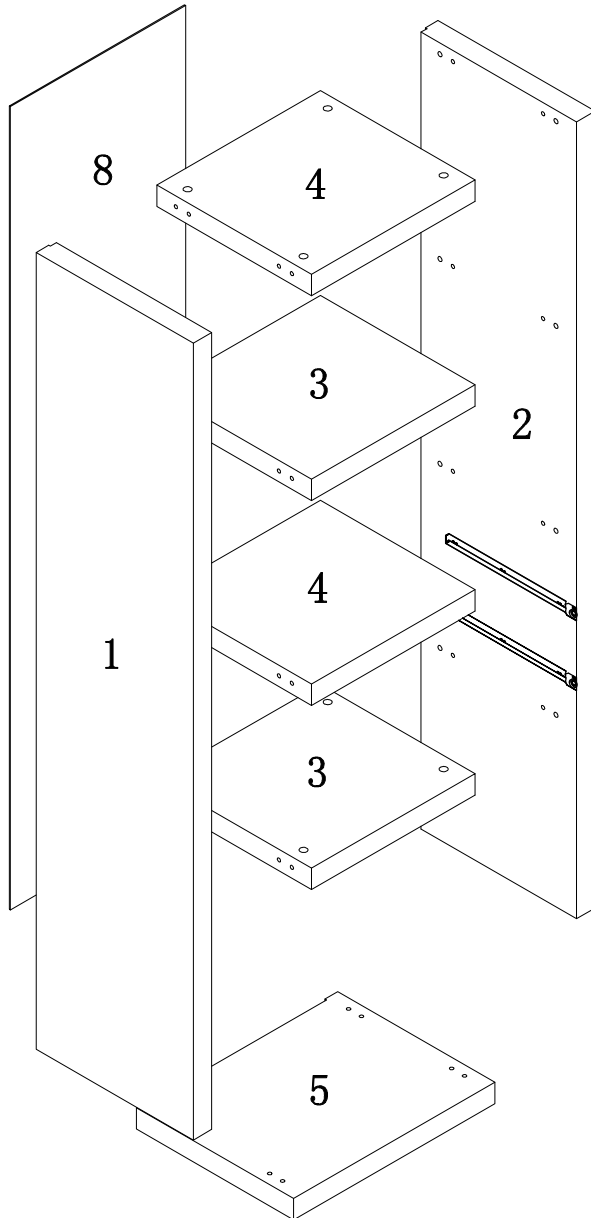
Tip #2: Using page 2 and/or page 3 of instruction manual make sure all pieces and hardware are accounted for.

ITEM# 27062P 171916P



PARTS IDENTIFICATION



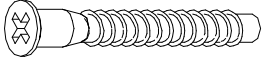
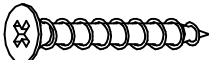
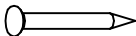
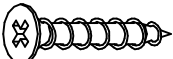
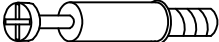

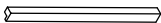

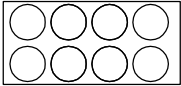



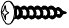
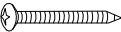



ITEM#: 27062P



- (1) 1pc
- (2) 1pc
- (3) 2pcs
- (4) 2pcs
- (5) 1pc
- (6) 2pcs
- (7) 2pcs
- (8) 1pc
- (9) 2pcs
- (10) 2pcs
- (11) 2pcs
- (12) 2pcs
- (13) 2pcs

HARDWARE IDENTIFICATION

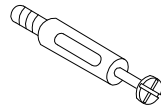
ITEM#: 27062P

A		L29mm	16pcs
B		□15mm	16pcs
C		□7 x 58mm	4pcs
D		□4 x 35mm	12pcs
E		Z1016	45pcs
F		□4 x 30mm	8pcs
G		L20mm	8pcs
H		□12mm	8pcs
I		256mm	2pcs
J		□4 x 20mm	4pcs
K		□18mm	8pcs
L		□8 x 25mm	20pcs
M		197 x 5 x 1mm	1pc
N		12 x 12 x 1mm	2pcs
O		∅4X25	1pc
P		∅5X40	1pc
Q		∅8X40	1pc
R		□16mm	4pcs
S		Glue: For securing please apply to wood dowel first before inserting into panel	1pc

ASSEMBLY INSTRUCTION

ITEM#: 27062P

HOW TO



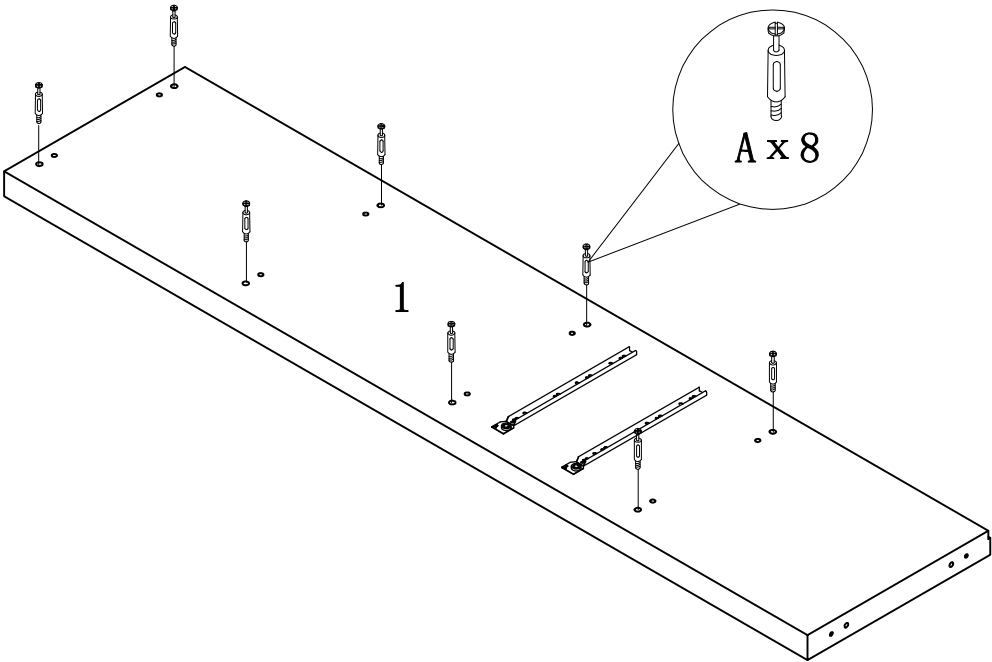
Cam Bolt



Cam Lock

	1	2	3	4
	1. Screw Cam Bolt into panel.	2. Insert Cam Bolt into bolt hole of joining panel.	3. Insert Cam Lock. arrow facing bolt.	4. Gently turn Cam Lock clockwise to lock position.

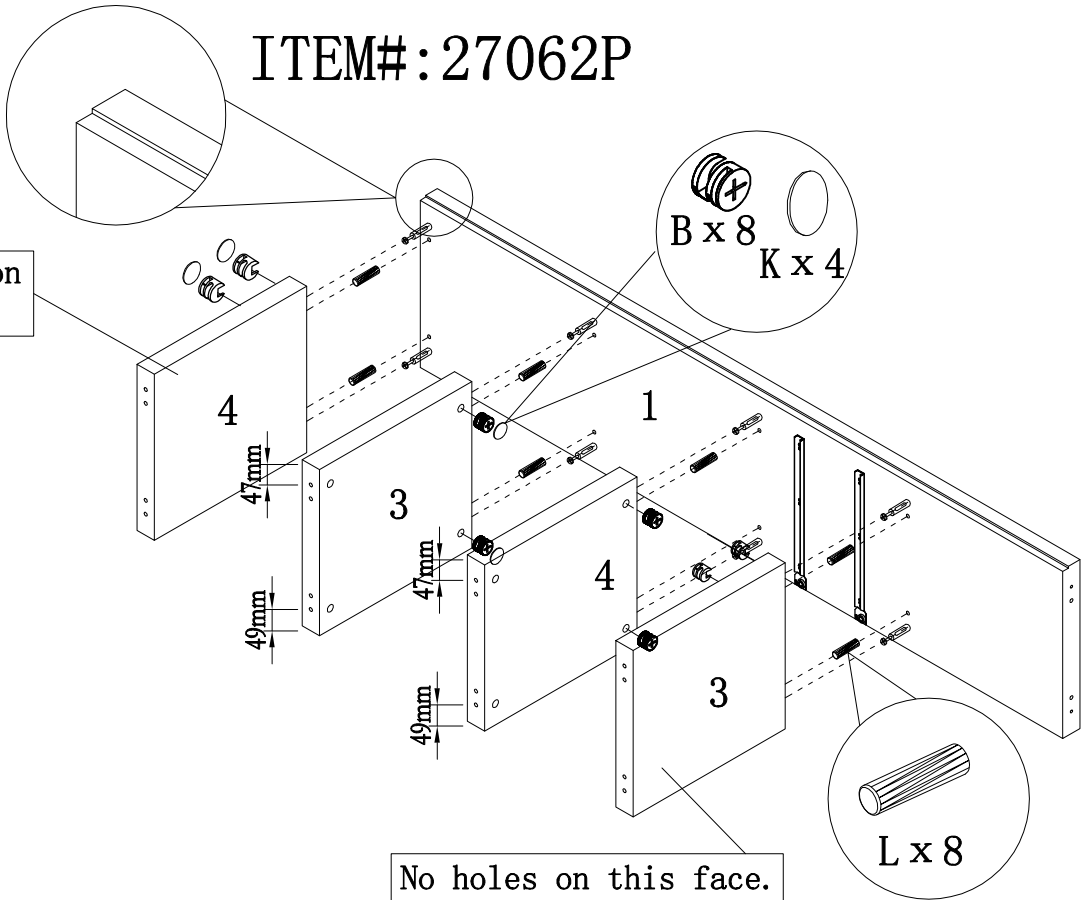
STEP 1



ASSEMBLY INSTRUCTION

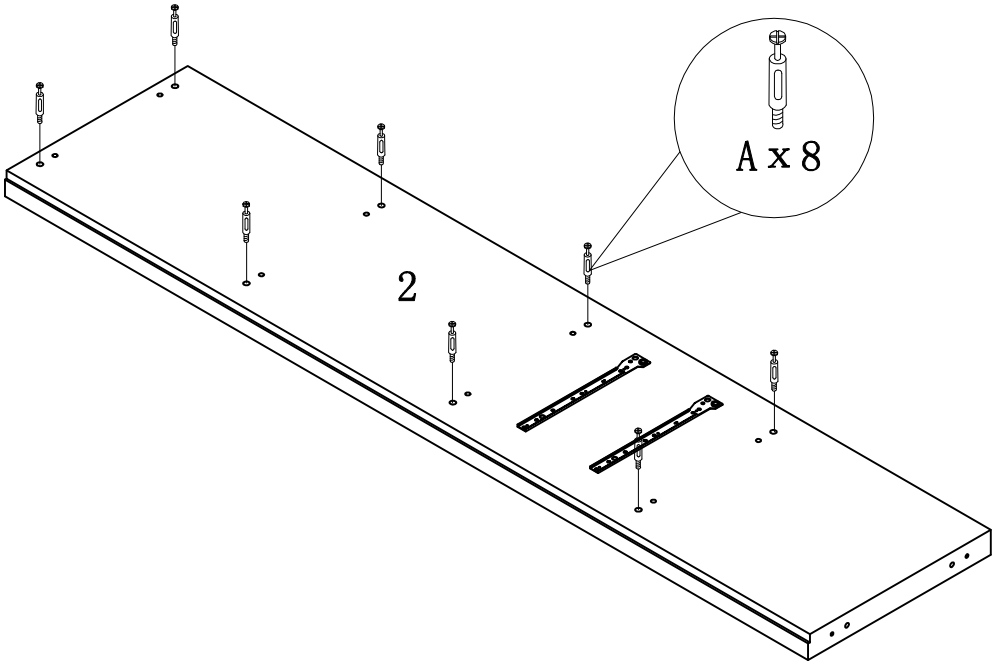
ITEM#: 27062P

No holes on this face.



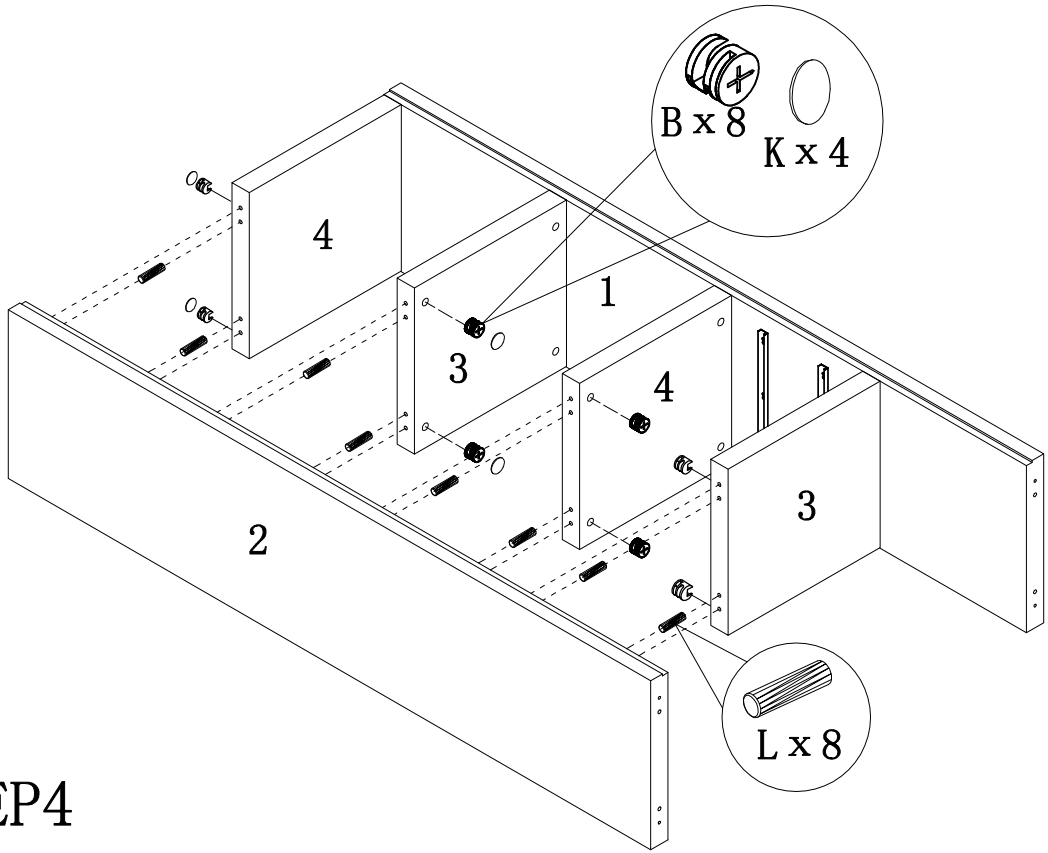
STEP2

STEP3



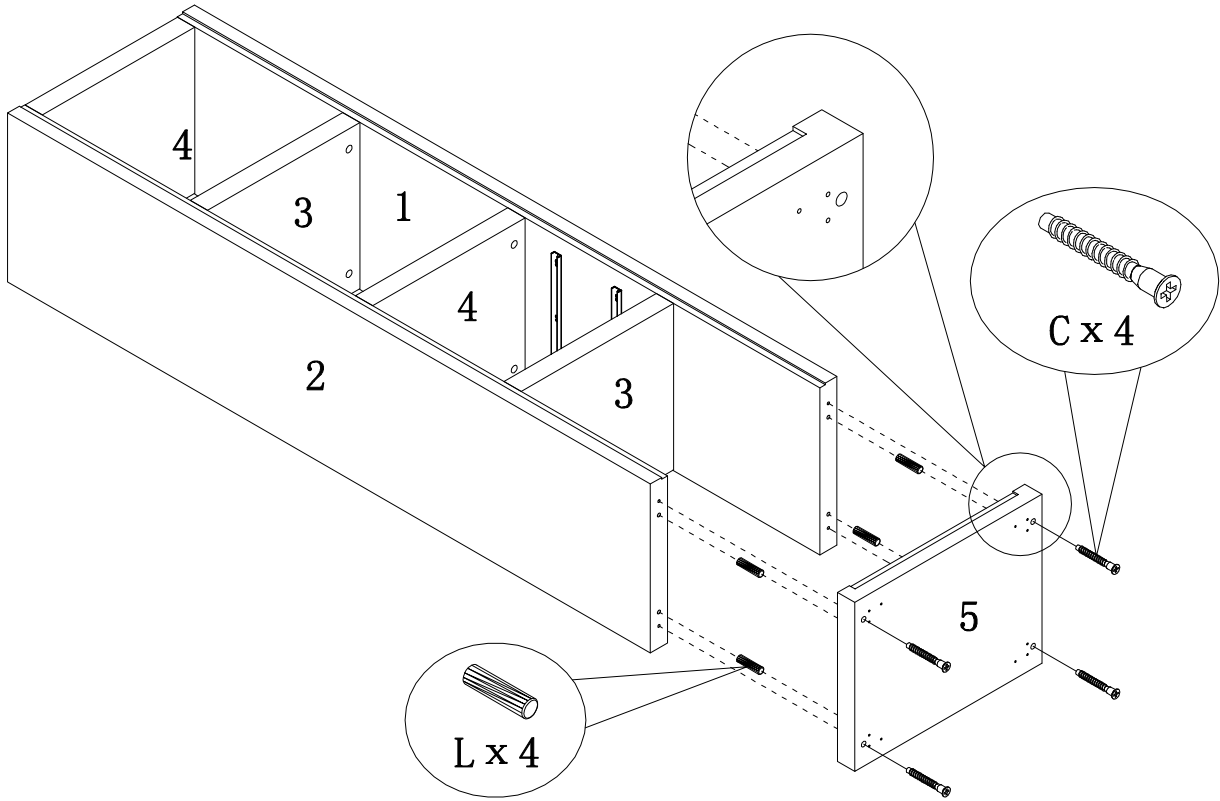
ASSEMBLY INSTRUCTION

ITEM#: 27062P

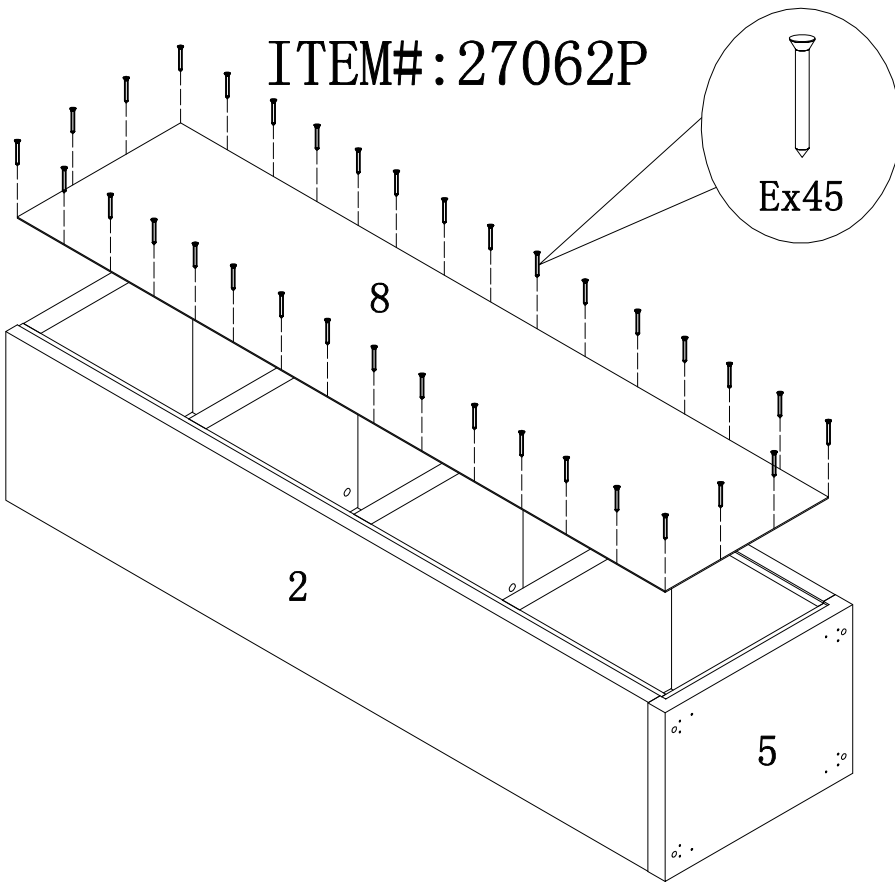


STEP 4

STEP 5

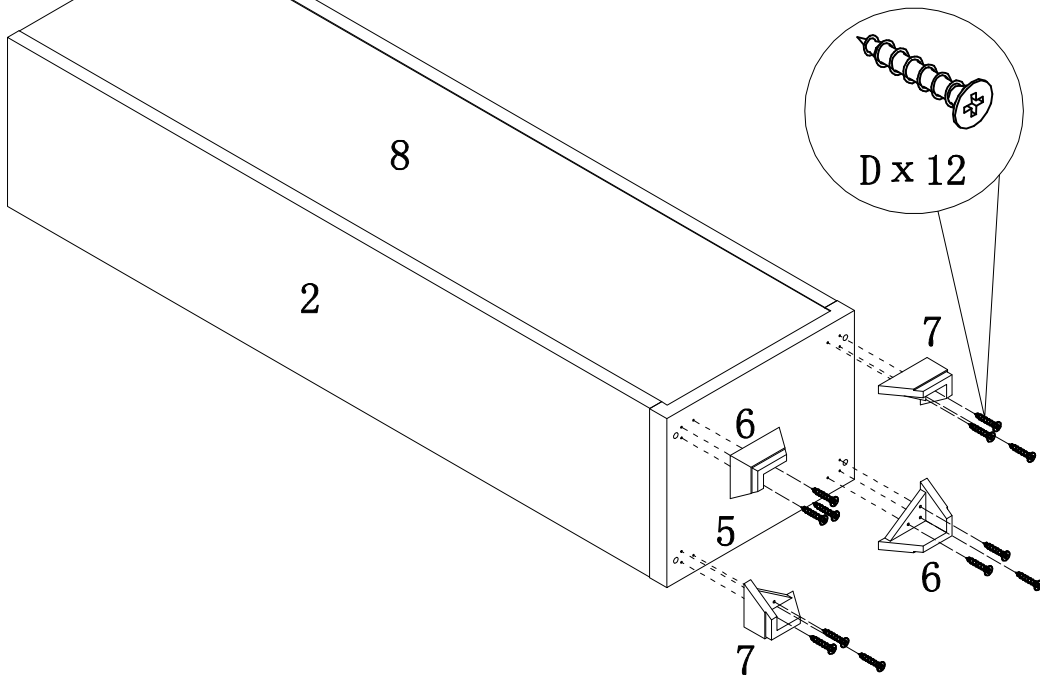


ASSEMBLY INSTRUCTION



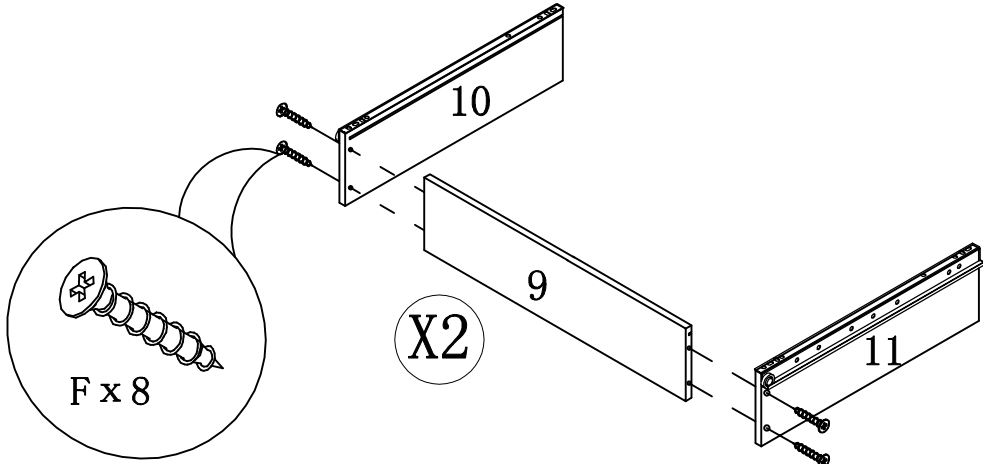
STEP6

STEP7



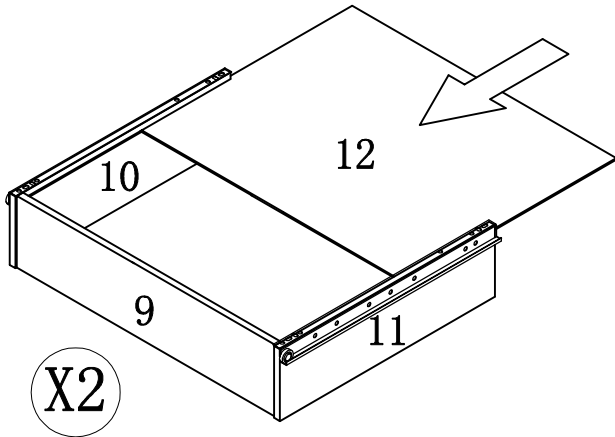
ASSEMBLY INSTRUCTION

ITEM#: 27062P

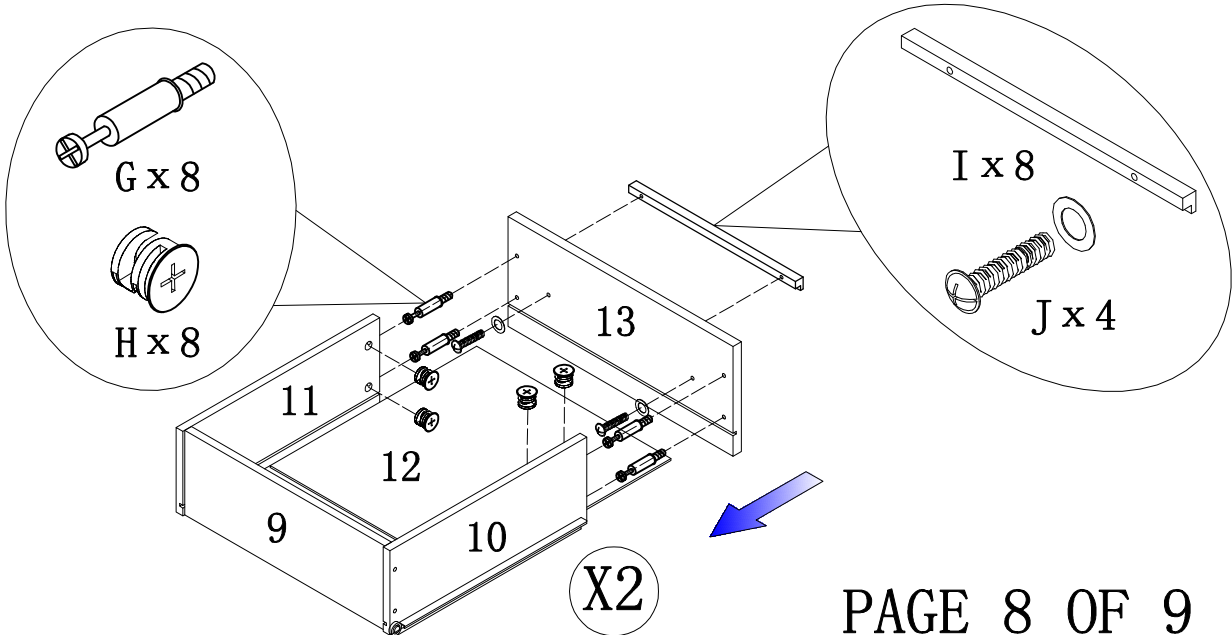


STEP8

STEP9

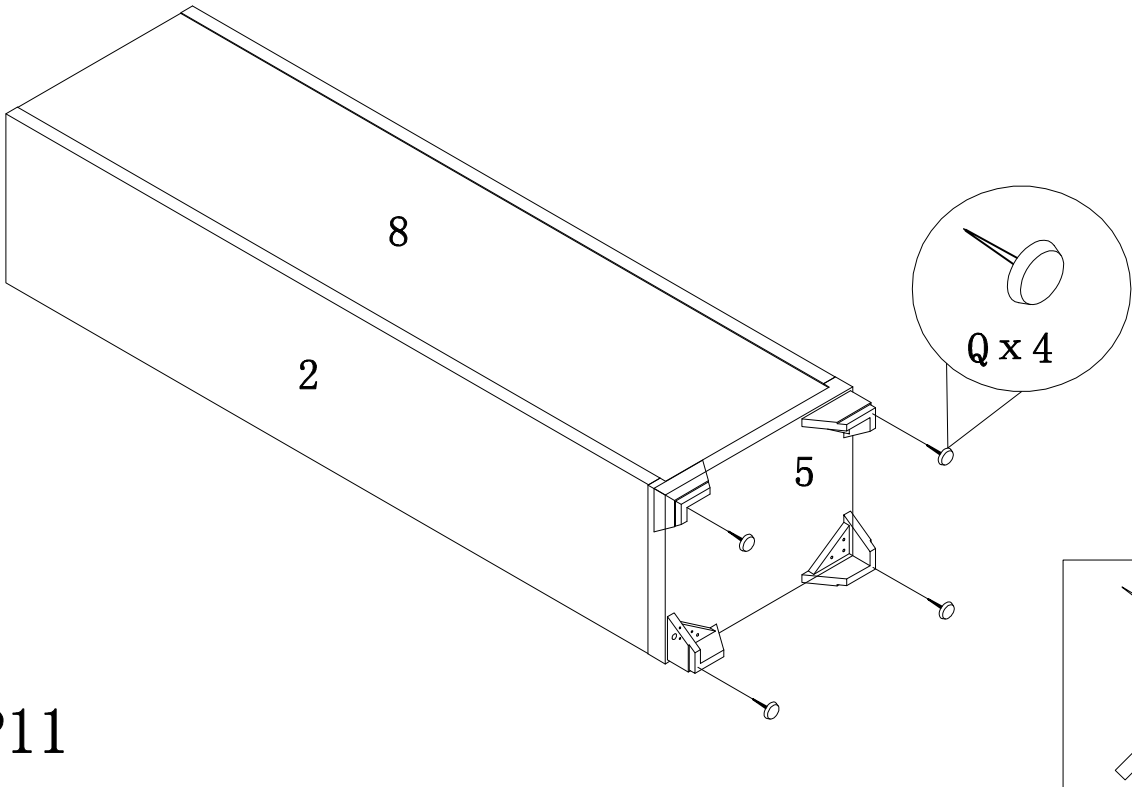


STEP10



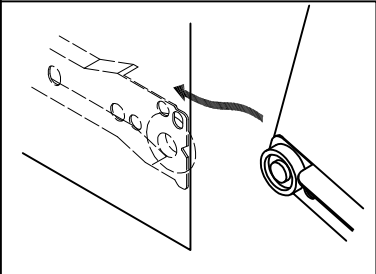
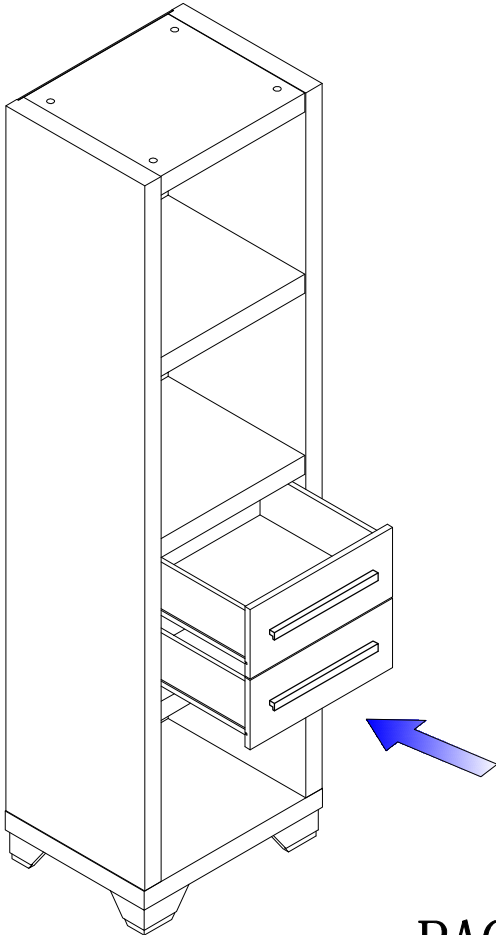
ASSEMBLY INSTRUCTION

ITEM#: 27062P



STEP 11

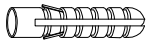
STEP 12



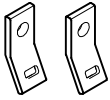
ANTI-TIPPING STRAP INSTRUCTION

HARDWARE (INCLUDED) :

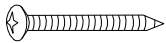
TOOLS NEEDED (NOT INCLUDED) :



DRYWALL ANCHOR $\phi 8 \times 40$ X 1PC



METAL BRACKETS $12 \times 12 \times 1$ X 2PCS



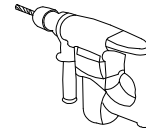
DRYWALL SCREW $\phi 5 \times 40$ X 1PC



STRAP $197 \times 5 \times 1$ X 1PC



FLATHEAD SCREW $\phi 4 \times 25$ X 1PC



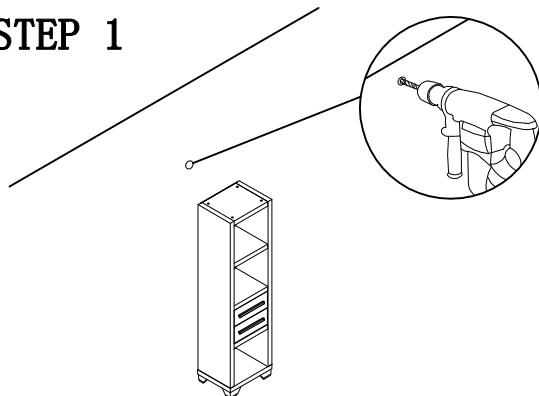
DRILL & DRILL BIT



LIGHT HAMMER

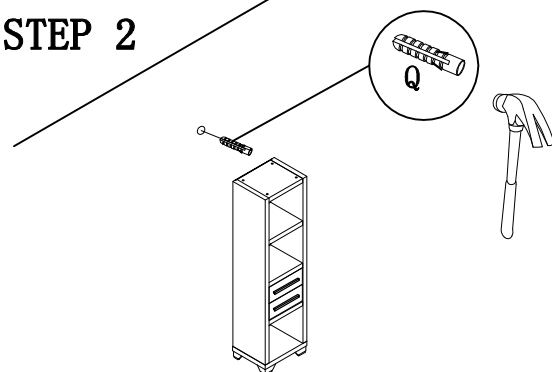
Note: Hardware included only compatible with standard drywalls.

STEP 1



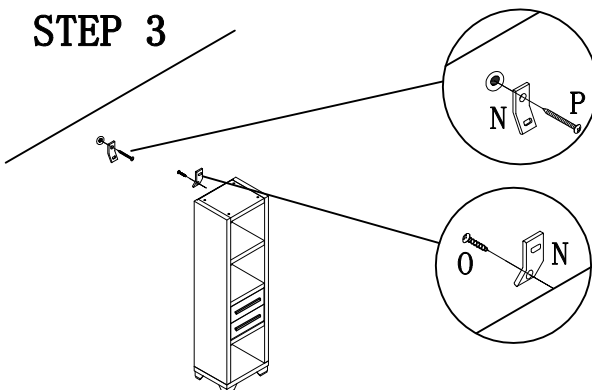
1. Find spot on wall 1" below top of item.
2. Using a drill bit slightly thinner than anchor, drill hole into drywall.

STEP 2



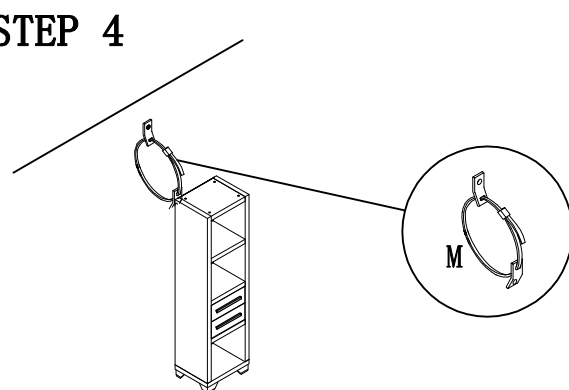
1. Use a light hammer to tap anchor into hole.
2. Anchor should fit snugly. If hole is too small, drill again to increase hole size. Do not force anchor into wall.

STEP 3



1. Insert drywall screw into metal bracket and into drywall anchor.
2. Insert flathead screw into second metal bracket and into back of item along top edge.

STEP 4



1. Insert strap thru bracket attached to wall, then thru bracket on item, and into head of strap.
 2. pull lightly til strap stops.
- Assembly is complete.