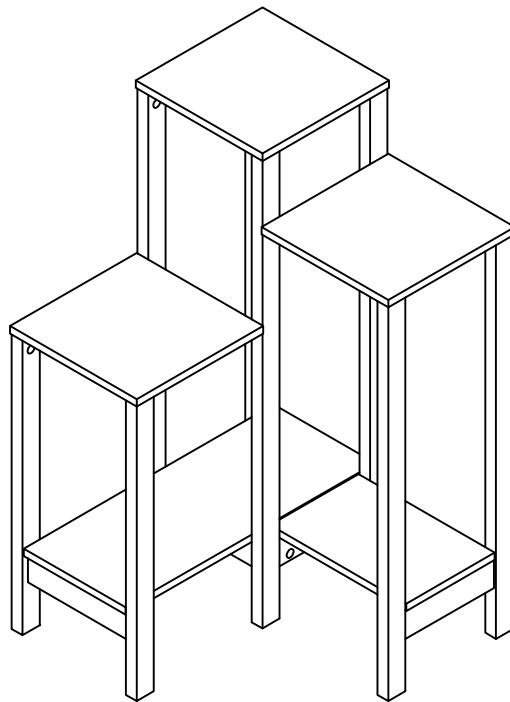


# ASSEMBLY INSTRUCTION

---

ITEM#: 202834



# ASSEMBLY INSTRUCTION

---

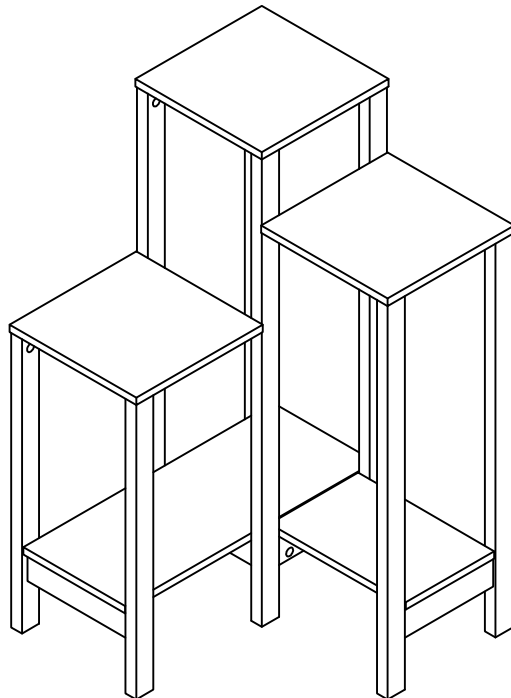
## PLEASE READ BEFORE ASSEMBLING!

Tip #1: Make sure you've taken all the pieces and hardware out of its packaging before discarding the box. Assembly on top of flattened box/blanket is recommended.

Tip #2: Using page 2 and/or page 3 of instruction manual make sure all pieces and hardware are accounted for.

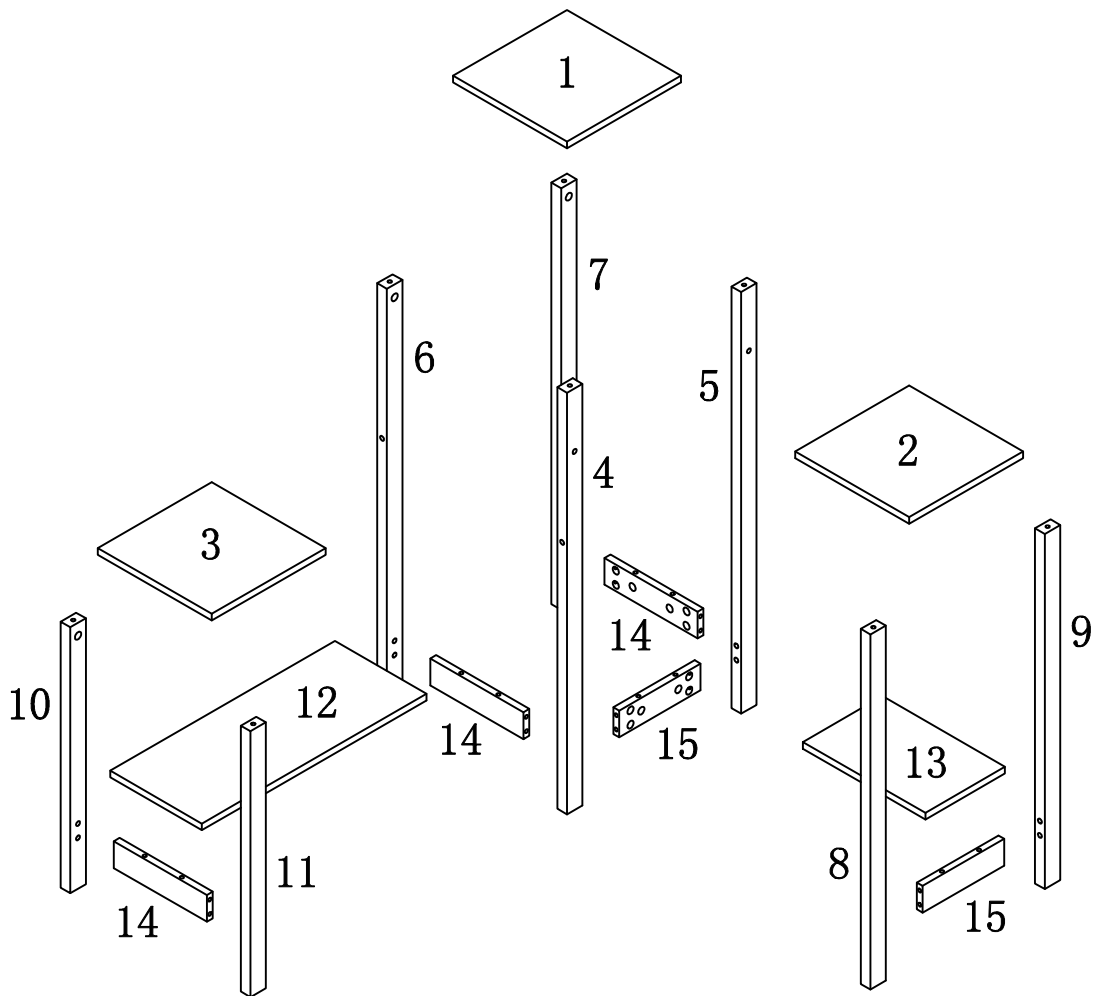
Tip #3: Note position of all holes on each panel during assembly.

ITEM#: 202834



# PARTS IDENTIFICATION



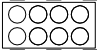


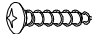
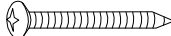
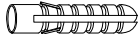

ITEM#: 202834



(1)	1pc	(7)	1pc	(13)	1pc
(2)	1pc	(8)	1pc	(14)	3pcs
(3)	1pc	(9)	1pc	(15)	2pcs
(4)	1pc	(10)	1pc		
(5)	1pc	(11)	1pc		
(6)	1pc	(12)	1pc		

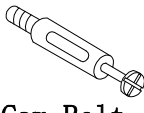
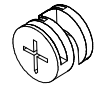
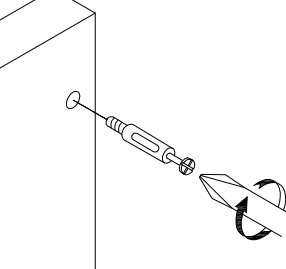
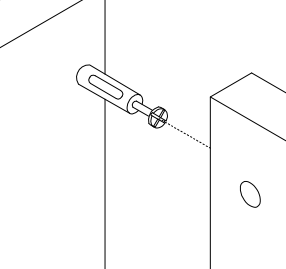
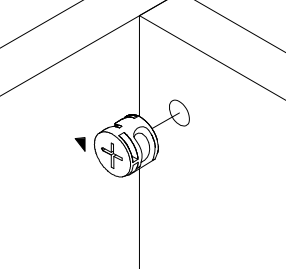
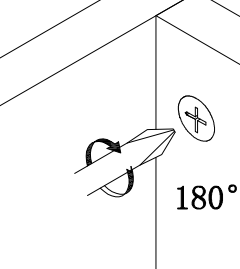
# HARDWARE IDENTIFICATION

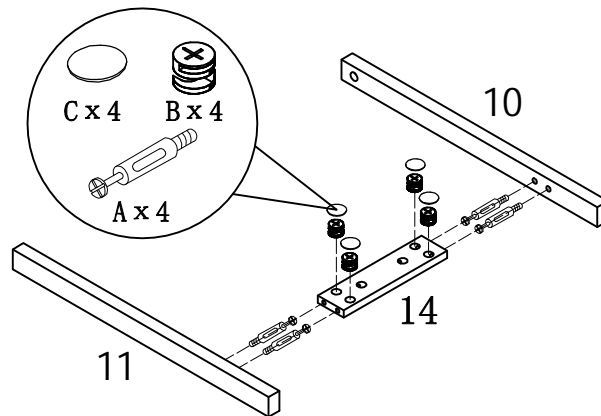
ITEM#: 202834

A		L29	42pcs
B		ø15	42pcs
C		ø22	42pcs
D		ø16	8pcs
E		197×5×1	1pc
F		ø4x25	1pc
G		ø5x40	1pc
H		ø8 x 40	1pc
I		12×12×1	2pcs

# ASSEMBLY INSTRUCTION

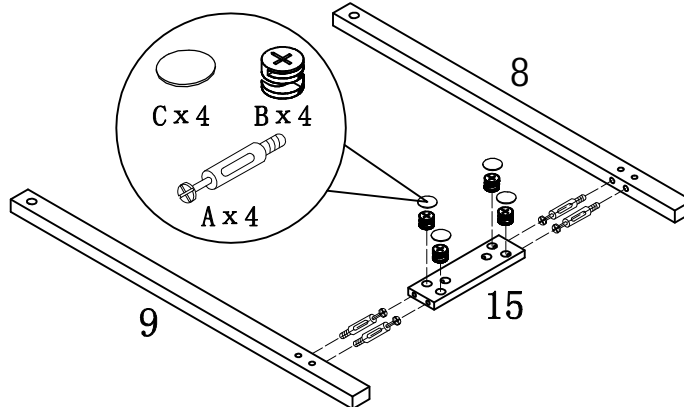
ITEM#: 202834

HOW TO	1	2	3	4
 Cam Bolt   Cam Lock				
	1. Screw Cam Bolt into panel.	2. Insert Cam Bolt into bolt hole of joining panel.	3. Insert Cam Lock. arrow facing bolt.	4. Gently turn Cam Lock clockwise to lock position.



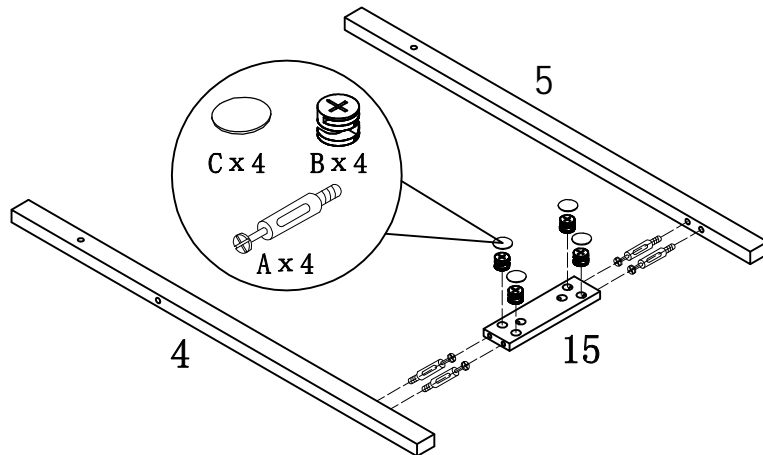
STEP 1

STEP 2



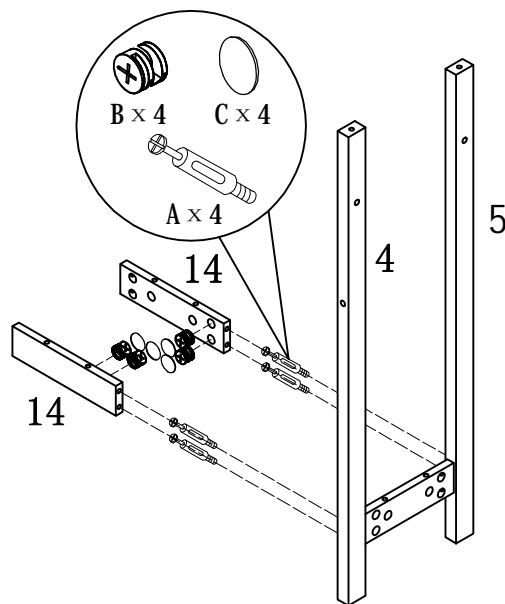
# ASSEMBLY INSTRUCTION

ITEM#: 202834



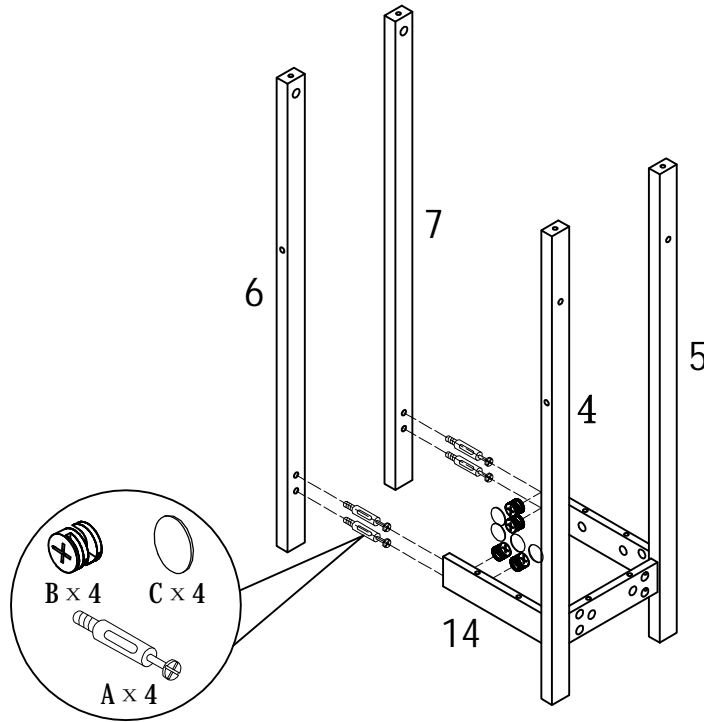
STEP3

STEP4



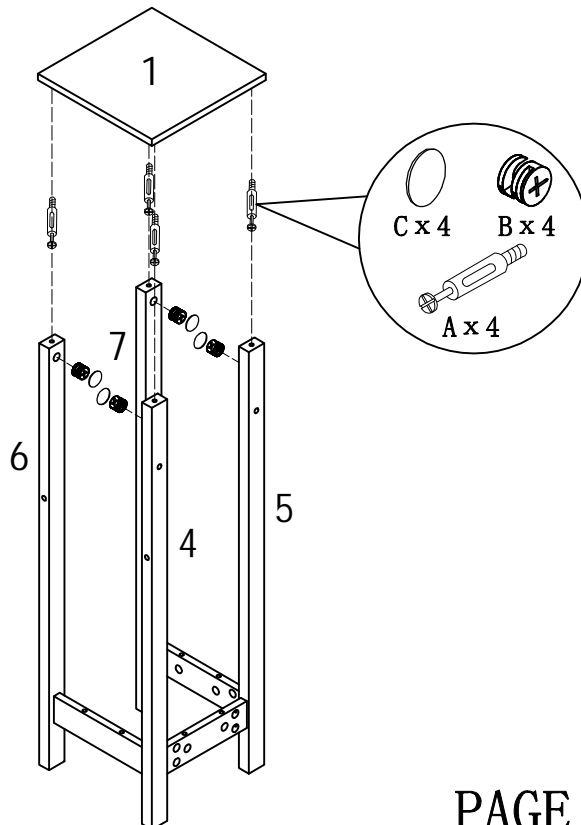
# ASSEMBLY INSTRUCTION

ITEM#: 202834



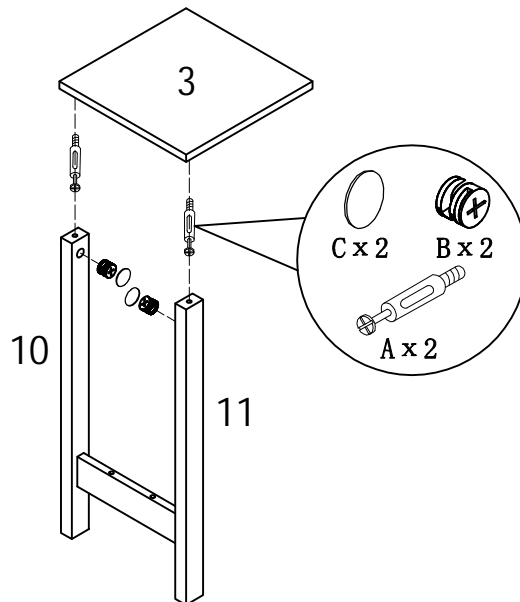
STEP5

STEP6



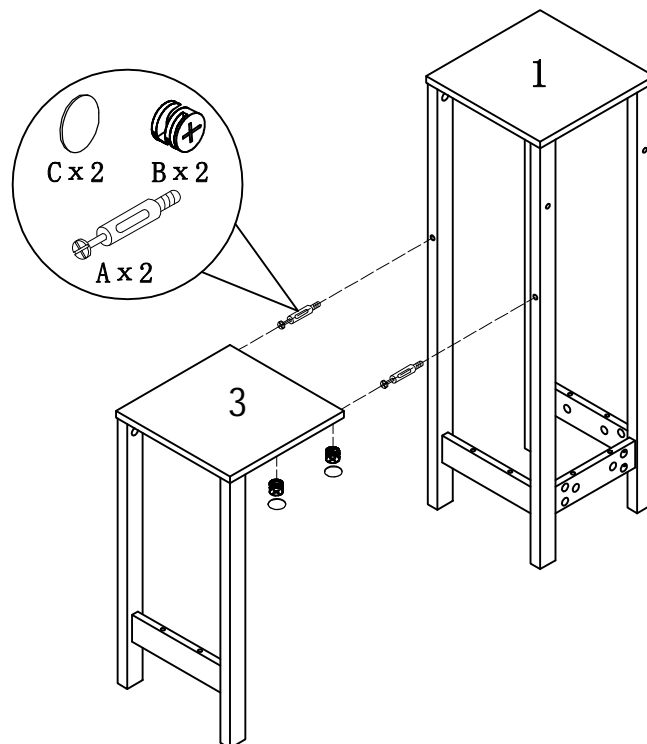
# ASSEMBLY INSTRUCTION

ITEM#: 202834



STEP 7

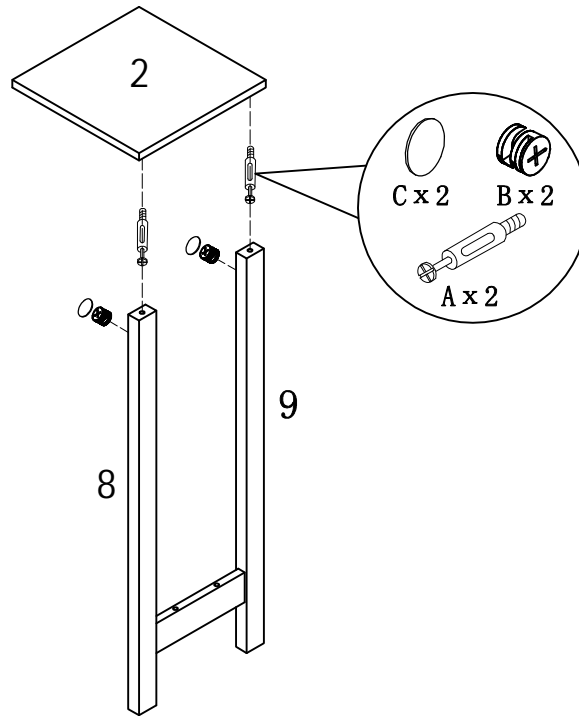
STEP 8





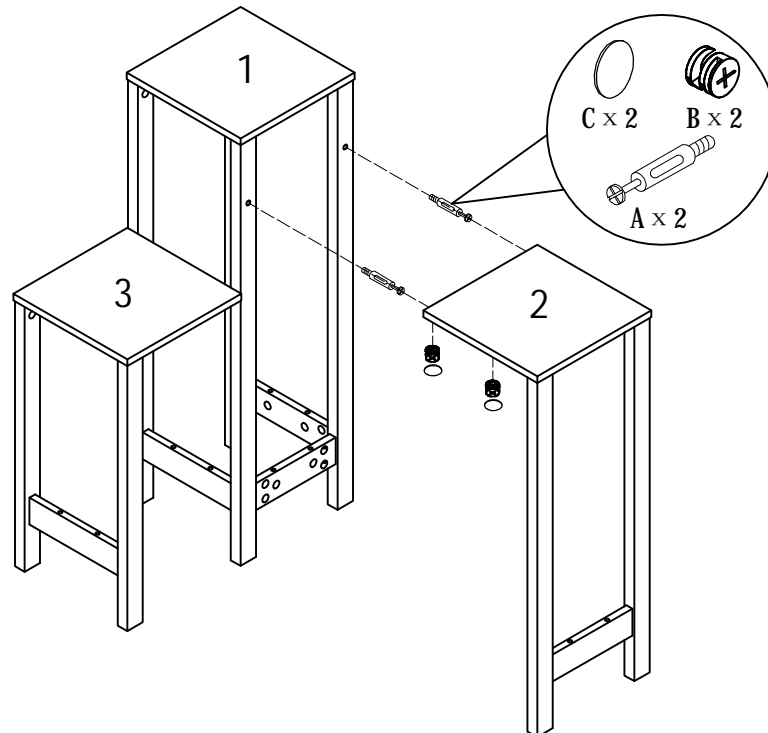
# ASSEMBLY INSTRUCTION

ITEM#: 202834



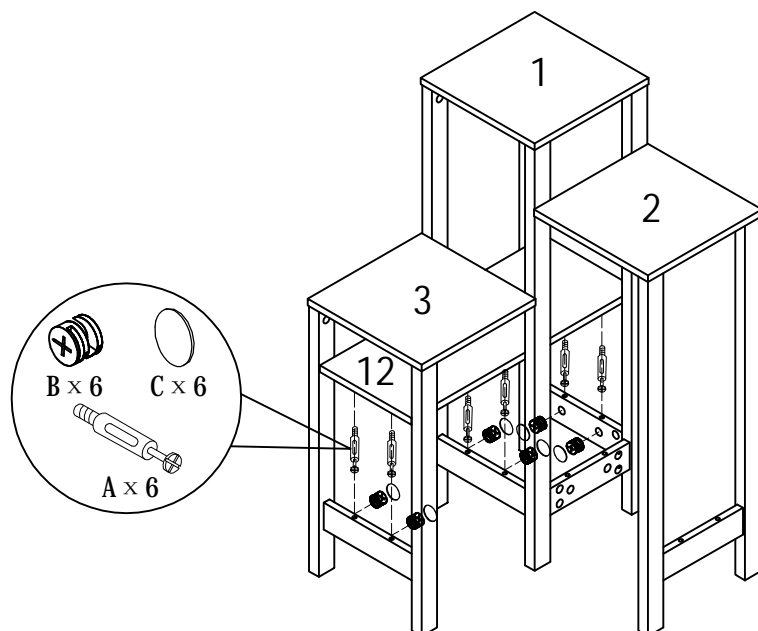
STEP9

STEP10



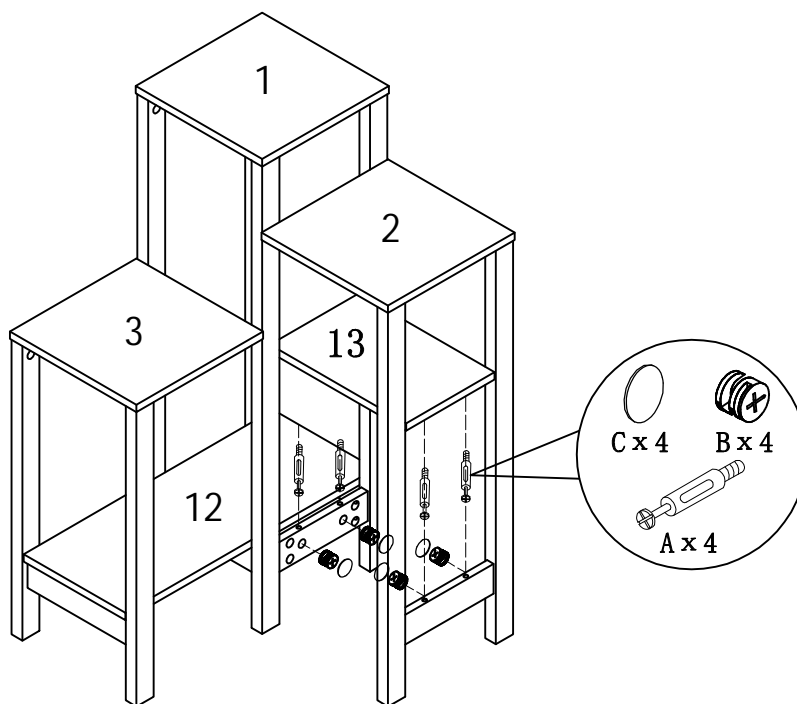
# ASSEMBLY INSTRUCTION

ITEM#: 202834



STEP 11

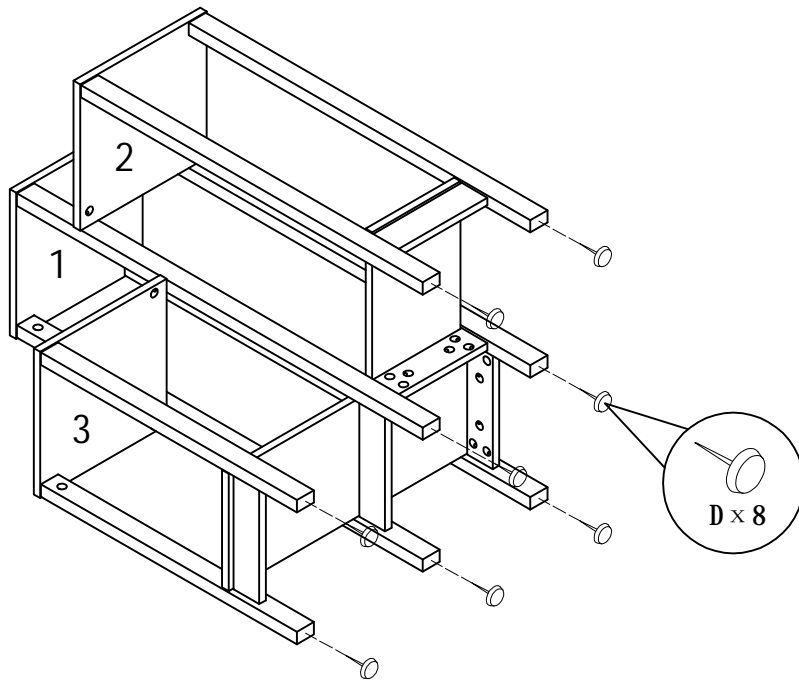
STEP 12



PAGE 9 OF 11

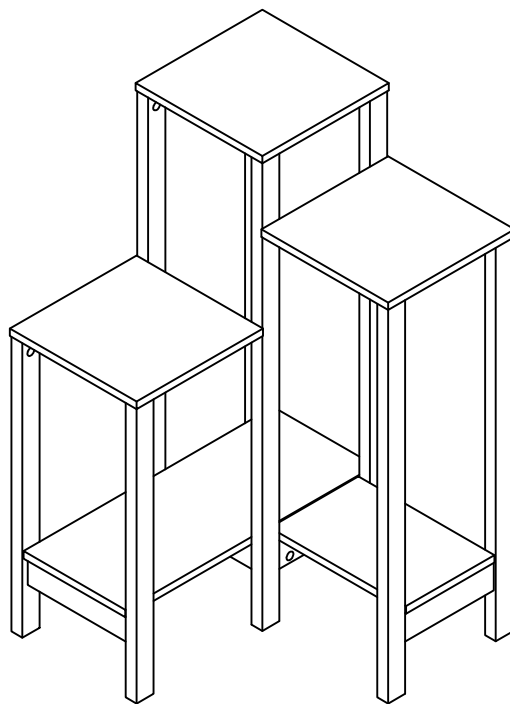
# ASSEMBLY INSTRUCTION

ITEM#: 202834



STEP13

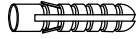
STEP14



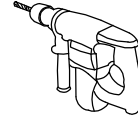
# ANTI-TIPPING STRAP INSTRUCTION

## HARDWARE (INCLUDED) :

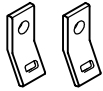
## TOOLS NEEDED ( NOT INCLUDED) :



DRYWALL ANCHOR  $\phi 8 \times 40$  X 1PC



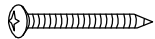
DRILL & DRILL BIT



METAL BRACKETS  $12 \times 12 \times 1$  X 2PCS



LIGHT HAMMER



DRYWALL SCREW  $\phi 5 \times 40$  X 1PC



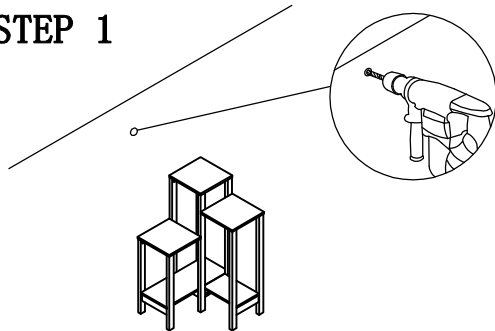
STRAP  $197 \times 5 \times 1$  X 1PC



FLATHEAD SCREW  $\phi 4 \times 25$  X 1PC

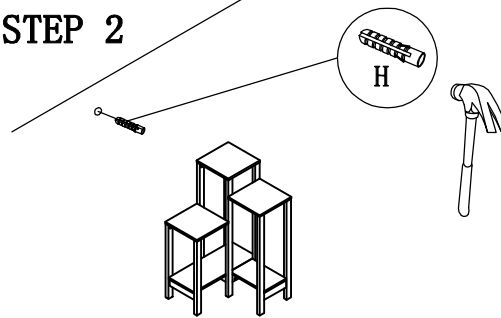
Note: Hardware included only compatible with standard drywalls.

### STEP 1



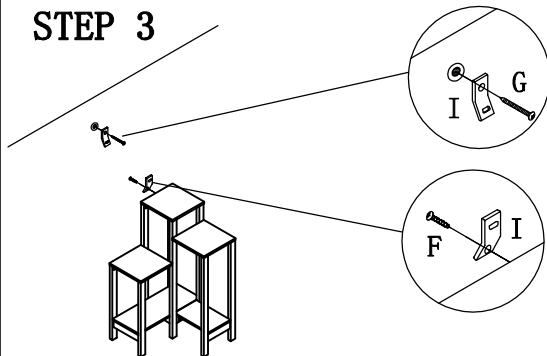
1. Find spot on wall 1" below top of item.
2. Using a drill bit slightly thinner than anchor, drill hole into drywall.

### STEP 2



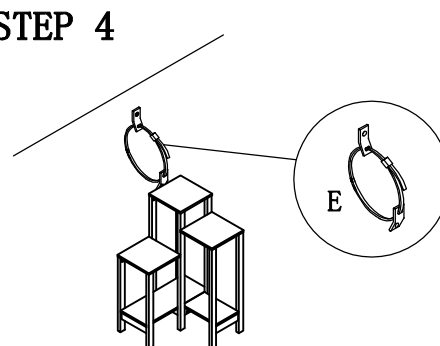
1. Use a light hammer to tap anchor into hole.
2. Anchor should fit snugly. If hole is too small, drill again to increase hole size. Do not force anchor into wall.

### STEP 3



1. Insert drywall screw into metal bracket and into drywall anchor.
2. Insert flathead screw into second metal bracket and into back of item along top edge.

### STEP 4



1. Insert strap thru bracket attached to wall, then thru bracket on item, and into head of strap.
  2. pull lightly til strap stops.
- Assembly is complete.